



<b>AIR CONDITIONER</b> Owner's Manual.....	<b>1 - 26</b>
<b>CLIMATISEUR</b> Manuel du propriétaire.....	<b>27 - 52</b>
<b>AIRE ACONDICIONADO</b> Manual del propietario.....	<b>53 - 78</b>

<b>MODEL * MODÈLE * MODELO</b>
<b>DAC080B6IWDB-6</b>
<b>DAC100B6IWDB-6</b>
<b>DAC120B6IWDB-6</b>

# Welcome to the Danby family.

We are proud of our quality products and we believe in dependable service. We suggest that you read this owner's manual before plugging in your new appliance as it contains important operation information, safety information, troubleshooting, and maintenance tips to ensure the reliability and longevity of your appliance.

You are entitled to the warranty coverage as described in the owner's manual provided with your new appliance.

1. Please write down your appliance information below. **You must keep the original proof of purchase receipt to validate and receive warranty services.**
2. Register your product online and receive a **FREE 2 MONTH WARRANTY EXTENSION** after filling out a product survey, at [www.danby.com/support/product-registration/](http://www.danby.com/support/product-registration/)

**Model Number:** \_\_\_\_\_

**Serial Number:** \_\_\_\_\_

**Date of Purchase:** \_\_\_\_\_

## Need Help?

1. Read your Owner's Manual for installation help, troubleshooting, and maintenance assistance.
2. Visit [www.Danby.com](http://www.Danby.com) to access self-service tools, FAQs and much more by searching your model number in the search bar.
3. For the **Quickest Customer Service**, please fill out the web form at [www.danby.com/support](http://www.danby.com/support). Your submission will go directly to an expert on your particular appliance. Our average response times are between 20 minutes and 2 hours, during EST business hours.
4. Call **1-800-263-2629** - please note that during peak hours, hold times can exceed one hour.



## Important Safety Information

**READ AND FOLLOW ALL SAFETY INSTRUCTIONS**



	WARNING	Shows that the appliance uses a flammable refrigerant. If the refrigerant leaks and is exposed to an external ignition source, there is a risk of fire.
	CAUTION	Shows that the operation manual should be read carefully.
	CAUTION	Shows that service personnel should be handling this equipment with reference to the installation manual.
	CAUTION	Shows that the information is available such as the operating manual or the installation manual.



### **CAUTION: RISK OF FIRE**

Flammable refrigerant used. When maintaining or disposing of the air conditioner, the refrigerant must not be allowed to vent into the open air.

**SAVE THESE INSTRUCTIONS!**



## Important Safety Information

### READ AND FOLLOW ALL SAFETY INSTRUCTIONS



## SAFETY PRECAUTIONS

### WARNING

- Installation must be performed according to the installation instructions. Improper installation can cause water leakage, electrical shock or fire.
- Use only the included accessories and parts and specified tools for the installation. Using non-standard parts can cause water leakage, electrical shock, fire and injury or property damage.
- Make sure that the outlet you are using is grounded and has the appropriate voltage. The power cord is equipped with a three-prong grounding plug to protect against shock. Voltage information can be found on the nameplate of the unit.
- Your unit must be used in a properly grounded wall receptacle. If the wall receptacle you intend to use is not adequately grounded or protected by a time delay fuse or circuit breaker (the fuse or circuit breaker needed is determined by the maximum current of the unit. The maximum current is indicated on the nameplate located on the unit), have a qualified electrician install the proper receptacle.
- Install the unit on a flat, sturdy surface. Failure to do so could result in damage or excessive noise and vibration.
- The unit must be kept free from obstruction to ensure proper function and to mitigate safety hazards.
- Do not modify the length of the power cord or use an extension cord to power the unit.
- Do not share a single outlet with other electrical appliances. Improper power supply can cause fire or electrical shock.
- Do not install your air conditioner in a wet room such as a bathroom or laundry room. Too much exposure to water can cause electrical components to short circuit.
- Do not install the unit in a location that may be exposed to combustible gas as this could cause fire.
- The unit has wheels to facilitate moving. Make sure not to use the wheels on thick carpet or to roll over objects as this could cause tipping.
- Do not operate a unit that has been dropped or damaged.
- The appliance with the electric heater shall have at least 1 meter space from combustible materials.
- Do not touch the unit with wet or damp hands or when barefoot.
- If the air conditioner is knocked over during use, turn off the unit and unplug it from the main power supply immediately. Visually inspect the unit to ensure there is no damage. If you suspect the unit has been damaged contact a technician or customer service for assistance.
- In a thunderstorm, the power must be cut off to avoid damage to the machine due to lightning.
- Your air conditioner should be used in such a way that it is protected from moisture. e.g. condensation, splashed water, etc. Do not place or store your air conditioner where it can fall or be pulled into water or any other liquid. Unplug immediately if this occurs.
- All wiring must be performed strictly in accordance with the wiring diagram location inside the unit.
- The unit's circuit board (PCB) is designed with a fuse to provide over current protection. The specifications of the fuse are printed on the circuit board.
- When the water drainage function is not in use keep the upper and lower drain plugs firmly installed in the unit. The drain plugs can be a choking hazard to children.

**SAVE THESE INSTRUCTIONS!**



## Important Safety Information

### READ AND FOLLOW ALL SAFETY INSTRUCTIONS



#### CAUTION

- This appliance is not intended for use by persons (including children) whose physical, sensory or mental capabilities may be different or reduced, or who lack experience or knowledge, unless such persons receive supervision or training to operate the appliance by a person responsible for their safety. Children should be supervised to ensure that they do not play with the appliance. Children must be supervised around the unit at all times.
- If the power supply cord is damaged it must be replaced by the manufacturer, its service agent or similarly qualified persons in order to avoid a hazard.
- Prior to cleaning or other maintenance, the appliance must be disconnected from the power supply.
- Do not remove any fixed covers. Never use this appliance if it is not working properly or if it has been dropped or damaged.
- Do not run cord under carpeting. Do not cover cord with throw rugs, runners or similar coverings. Do not route cord under furniture or appliances. Arrange cords away from traffic and where it will not be tripped over.
- Do not operate a unit with a damaged power cord, plug, power fuse or circuit breaker. Discard the unit or return to an authorized service facility for examination and/or repair.
- To reduce the risk of fire or electric shock do not use this air conditioner with any solid-state speed control device.
- The appliance shall be installed in accordance with national wiring regulations.
- Contact the authorized service technician for repair or maintenance of this unit.
- Contact the authorized service installer for installation of this unit.
- Do not cover or obstruct the inlet or outlet grilles.
- Do not use this product for functions other than those described in this instruction manual.
- Before cleaning turn off the power and unplug the unit.
- Disconnect the power if strange sounds, smells or smoke comes from it.
- Do not press the buttons on the control panel with anything other than your fingers.
- Do not remove any fixed covers. Never use this appliance if it is not working properly or if it has been dropped or damaged.
- Do not operate or stop the unit by inserting or pulling out the power cord plug.
- Do not use hazardous chemicals to clean or come into contact with the unit. Do not use the unit in the presence of inflammable substances or vapour such as alcohol, insecticides, petrol, etc.
- Always transport your air conditioner in a vertical position and stand on a stable, level surface during use.
- Always contact a qualified person to carry out repairs. If the damaged power supply cord must be replaced with a new power supply cord obtained from the product manufacturer and not repaired.
- Hold the plug by the head of the power plug when removing it.
- Turn off the appliance when not in use.

**SAVE THESE INSTRUCTIONS!**



## Important Safety Information

### READ AND FOLLOW ALL SAFETY INSTRUCTIONS



#### Note about fluorinated gasses

- Fluorinated greenhouse gases are contained in hermetically sealed equipment. For specific information on the type, the amount and the CO<sub>2</sub> equivalent in tonnes of the fluorinated greenhouse gas on some models. Please refer to the relevant label on the unit itself.
- Installation, service, maintenance and repair of this unit must be performed by a certified technician.
- Product installation and recycling must be performed by a certified technician.

#### WARNING for using R32 refrigerant

- Do not use means to accelerate the defrosting process or to clean other than those recommended by the manufacturer.
- The appliance shall be stored in a room without continuously operating ignition sources for example, open flames, an operating gas appliance or an operating electric heater.
- Do not pierce or burn.
- Be aware that the refrigerants may not contain an odour.
- The appliance should be installed, operated and stored in a room with a floor area according to the amount of refrigerant to be charged. For specific information on the type of gas and the amount, please refer to the relevant label on the unit itself. When there are differences between the label and the manual on the minimum room area description, the description on the label shall prevail.
- Compliance with national gas regulations shall be observed.
- Keep ventilation openings clear of obstruction.
- The appliance shall be stored so as to prevent mechanical damage from occurring.
- A warning that the appliance shall be stored in a well-ventilated area where the room size corresponds to the room area as specified for operation.
- Any person involved with working on the refrigerant circuit should hold a current, valid certificate from an industry accredited assessment authority which authorizes their competence to handle refrigerants safely in accordance with an industry recognized assessment specification.
- Servicing shall only be performed as recommended by the manufacturer. Maintenance and repair requiring the assistance of other skilled personnel shall be carried out under the supervision of the person competent in the use of flammable refrigerants.
- Please follow the instruction carefully to handle, install, clear and service the air conditioner to avoid any damage or hazard. Flammable refrigerant R32 is used within this air conditioner. When maintaining or disposing of the air conditioner the refrigerant must be recovered properly and should not be allowed to discharge to the air directly.
- No open fire or device like switch which may generate spark/arcing shall be around air conditioner to avoid causing ignition of the flammable refrigerant used.
- Please follow the instruction carefully to store or maintain the air conditioner to prevent mechanical damage from occurring.
- Flammable refrigerant -R32 is used in air conditioner. Please follow the instruction carefully to avoid any hazard. For specific information on the type of gas and the amount, please to the relevant label on the unit itself.
- The appliance shall be stored in a room without continuously operating open flames (for example an operating gas appliance) and ignition sources (for example an operating electric heater).

**SAVE THESE INSTRUCTIONS!**



## Important Safety Information

### READ AND FOLLOW ALL SAFETY INSTRUCTIONS



#### Transport of equipment containing flammable refrigerants

See transport regulations.

#### Marking of equipment using signs

See local regulations.

#### Disposal of equipment using flammable refrigerants

See national regulations.

#### Storage of equipment / appliances

The storage of equipment should be in accordance with the manufacturer's instructions.

#### Storage of packed (unsold) equipment

Storage package protection should be constructed such that the mechanical damage to the equipment inside the package will not cause a leak of the refrigerant charge. The maximum number of pieces of equipment permitted to be stored together will be determined by local regulations.

#### Information on servicing

- 1. Checks to the area:** Prior to beginning work on systems containing flammable refrigerants, safety checks are necessary to ensure that the risk of ignition is minimized. For repair to the refrigerating system, the following precautions shall be complied with prior to conducting work on the system.
- 2. Work procedure:** Work shall be undertaken under a controlled procedure so as to minimize the risk of a flammable gas or vapour being present while the work is being performed.
- 3. General work area:** All maintenance staff and others working in the local area shall be instructed on the nature of work being carried out. Work in confined spaces shall be avoided. The area around the work space shall be sectioned off. Ensure that the conditions within the work area have been made safe by removing all flammable material.
- 4. Checking for the presence of refrigerant:** The area shall be checked with an appropriate refrigerant detector prior to and during work to ensure the technician is aware of potentially flammable atmospheres. Ensure that the leak detection equipment being used is suitable for use with flammable refrigerants, i.e. non-sparking, adequately sealed and intrinsically safe.
- 5. Presence of fire extinguisher:** If any hot work is to be conducted on the refrigeration equipment or any associated parts, appropriate fire extinguishing equipment shall be available to hand. Have a dry powder or CO<sub>2</sub> fire extinguisher adjacent to the work area.

**SAVE THESE INSTRUCTIONS!**



## Important Safety Information

### READ AND FOLLOW ALL SAFETY INSTRUCTIONS



6. **No ignition sources:** No person carrying out work in relation to a refrigeration system which involves exposing any pipe work that contains or has contained flammable refrigerant shall use any sources of ignition in such a manner that it may lead to risk of fire or explosion. All possible ignition sources including cigarette smoking, should be kept sufficiently far away from the site of installation, repairing, removing and disposal during which flammable refrigerant can possibly be released to the surrounding space. Prior to work taking place, the area around the equipment is to be surveyed to make sure there are no flammable hazards or ignition risks. No smoking signs shall be displayed.
7. **Ventilated area:** Ensure that the area is in the open or that it is adequately ventilated before breaking into the system or conducting any hot work. A degree of ventilation shall continue during the period that the work is carried out. The ventilation should safely disperse any released refrigerant and preferably expel it externally into the atmosphere.
8. **Checks to the refrigeration equipment:** Where electrical components are being changed, they shall be fit for the purpose and to the correct specification. At all times the manufacturer's maintenance and service guidelines shall be followed. If in doubt consult the manufacturer's technical department for assistance.

The following checks shall be applied to installations using flammable refrigerants:

- The charge size is in accordance with the room size within which the refrigerant containing parts are installed.
  - The ventilation machinery and outlets are operating adequately and are not obstructed.
  - If an indirect refrigerating circuit is being used, the secondary circuit shall be checked for the presence of refrigerant.
  - Marking to the equipment continues to be visible and legible. Markings and signs that become illegible must be corrected.
  - Refrigeration pipe or components are installed in a position where they are unlikely to be exposed to any substance which may corrode refrigerant containing components, unless the components are constructed of materials which are inherently resistant to being corroded or are suitable protected against being corroded.
9. **Checks to electrical devices:** Repair and maintenance to electrical components shall include initial safety checks and component inspection procedures. If a fault exists that could compromise safety, then no electrical supply shall be connected to the circuit until it is satisfactorily dealt with. If the fault cannot be corrected immediately but it is necessary to continue operation, an adequate temporary solution shall be used. This shall be reported to the owner of the equipment so all parties are advised.

Initial safety checks shall include:

- That capacitors are discharged. This shall be done in a safe manner to avoid possibility of sparking.
- That no live electrical components and wiring are exposed while charging, recovering or purging the system.
- That there is continuity of earth bonding.

**SAVE THESE INSTRUCTIONS!**





## **Important Safety Information**

### **READ AND FOLLOW ALL SAFETY INSTRUCTIONS**



#### **Repairs to sealed components**

1. During repairs to sealed components, all electrical supplies shall be disconnected from the equipment being worked upon prior to any removal of sealed covers, etc. If it is absolutely necessary to have an electrical supply to equipment during servicing then a permanently operating form of leak detection shall be located at the most critical point to warn of a potentially hazardous situation.
2. To ensure that by working on electrical components the casing is not altered in such a way that the level of protection is affected, particular attention shall be paid to the following:
  - Damage to cables, excessive number of connections, terminals not made to original specification, damage to seals, incorrect fitting of glands, etc.
  - Ensure the apparatus is mounted securely.
  - Ensure that seals or sealing materials have not degraded such that they no longer serve the purpose of preventing the ingress of flammable atmospheres. Replacement parts shall be in accordance with the manufacturer's specifications.

Note: The use of silicon sealant may inhibit the effectiveness of some types of leak detection equipment. Intrinsically safe components do not have to be isolated prior to working on them.

#### **Repair to intrinsically safe components**

Do not apply any permanent inductive or capacitance loads to the circuit without ensuring that this will not exceed the permissible voltage and current permitted for the equipment in use. Intrinsically safe components are the only types that can be worked on while live in the presence of a flammable atmosphere. The test apparatus shall be at the correct rating. Replace components only with parts specified by the manufacturer. Other parts may result in the ignition of refrigerant in the atmosphere from a leak.

#### **Cabling**

Check that cabling will not be subject to wear, corrosion, excessive pressure, vibration, sharp edges or any other adverse environmental effects. The check shall also take into account the effects of aging or continual vibration from sources such as compressors or fans.

#### **Detection of flammable refrigerants**

Under no circumstances shall potential sources of ignition be used in the searching for or detection of refrigerant leaks. A halide torch or any other detector using a naked flame shall not be used.

**SAVE THESE INSTRUCTIONS!**



## Important Safety Information

### READ AND FOLLOW ALL SAFETY INSTRUCTIONS



#### Leak detection methods

The following leak detection methods are deemed acceptable for systems containing flammable refrigerants:

- Electronic leak detectors shall be used to detect flammable refrigerants but the sensitivity may not be adequate or may need recalibration. Detection equipment shall be calibrated in a refrigerant-free area. Ensure that the detector is not a potential source of ignition and is suitable for the refrigerant used.
- Leak detection equipment shall be set at a percentage of the LFL of the refrigerant and shall be calibrated to the refrigerant employed and the appropriate percentage of gas (25% maximum) is confirmed.
- Leak detection fluids are suitable for use with most refrigerants but the use of detergents containing chlorine shall be avoided as the chlorine may react with the refrigerant and corrode the copper or pipe-work.
- If a leak is suspected, all naked flames shall be removed or extinguished.
- If a leakage of refrigerant is found which requires brazing, all of the refrigerant shall be recovered from the system or isolated by means of shut off valves in a part of the system remote from the leak. Oxygen free nitrogen (OFN) shall then be purged through the system both before and during the brazing process.

#### Removal and evacuation

When breaking into the refrigerant circuit to make repairs or for any other purpose conventional procedures shall be used. However, it is important that the best practice is followed since flammability is a consideration. The following procedures shall be adhered to:

- Remove refrigerant.
- Purge the circuit with inert gas.
- Evacuate.
- Purge again with inert gas.
- Open the circuit by cutting or brazing.
- The refrigerant charge shall be recovered into the correct recovery cylinders. The system shall be flushed with OFN to render the unit safe. This process may need to be repeated several times. Compressed air or oxygen shall not be used for this task.
- Flushing shall be achieved by breaking the vacuum in the system with OFN and continuing to fill until the working pressure is achieved, then venting to atmosphere and finally pulling down to a vacuum. This process shall be repeated until no refrigerant is within the system. When the final OFN charge is used, the system shall be vented down to atmospheric pressure to enable work to take place. This operation is absolutely vital if brazing operations on the pipe-work are to take place.
- Ensure that the outlet for the vacuum pump is not close to any ignition sources and there is ventilation available.

**SAVE THESE INSTRUCTIONS!**



## Important Safety Information

### READ AND FOLLOW ALL SAFETY INSTRUCTIONS



### Charging procedures

In addition to conventional charging procedures, the following requirements shall be followed:

- Ensure that contamination of different refrigerants does not occur when using charging equipment. Hoses or lines shall be as short as possible to minimize the amount of refrigerant contained in them.
- Cylinders shall be kept upright.
- Ensure that the refrigeration system is earthed prior to charging the system with refrigerant.
- Label the system when charging is complete, if not already labeled.
- Extreme care shall be taken not to overfill the refrigeration system.
- Prior to recharging the system it shall be pressure tested with OFN. The system shall be leak tested on completion of charging but prior to commissioning. A follow up leak test shall be carried out prior to leaving the site.

### Decommissioning

Before carrying out this procedure, it is essential that the technician is completely familiar with the equipment in all its detail. It is recommended good practice that all refrigerants are recovered safely. Prior to the task being carried out, an oil and refrigerant sample shall be taken in case analysis is required prior to re-use of reclaimed refrigerant. It is essential that electrical power is available before the task is commenced.

- A. Become familiar with the equipment and its operation.
- B. Isolate system electrically.
- C. Before attempting the procedure ensure that:
  - Mechanical handling equipment is available if required for handling refrigerant cylinders.
  - All personal protective equipment is available and being used correctly.
  - The recovery process is supervised at all times by a competent person.
  - Recovery equipment and cylinders conform to the appropriate standards.
- D. Pump down refrigerant system, if possible.
- E. If a vacuum is not possible, make a manifold so that refrigerant can be removed from various parts of the system.
- F. Make sure that cylinder is situated on the scales before recovery takes place.
- G. Start the recovery machine and operate in accordance with the manufacturer's instructions.
- H. Do not overfill cylinders. No more than 80% volume liquid charge.
- I. Do not exceed the maximum working pressure of the cylinder, even temporarily.
- J. When the cylinders have been filled correctly and the process is completed, make sure that the cylinders and the equipment are removed from the site promptly and all isolation valves on the equipment are closed off.
- K. Recovered refrigerant shall not be charged into another refrigeration system unless it has been cleaned and checked.

**SAVE THESE INSTRUCTIONS!**



## **Important Safety Information**

### **READ AND FOLLOW ALL SAFETY INSTRUCTIONS**



#### **Labeling**

Equipment shall be labeled stating that it has been decommissioned and emptied of refrigerant. The label shall be dated and signed. Ensure that there are labels on the equipment stating the equipment contains flammable refrigerant.

#### **Recovery**

When removing refrigerant from a system, either for servicing or decommissioning, it is recommended good practice that all refrigerants are removed safely.

When transferring refrigerant into cylinders, ensure that only appropriate refrigerant recovery cylinders are employed. Ensure that the correct number of cylinders for holding the total system charge are available. All cylinders to be used are designed for the recovered refrigerant and labeled for that refrigerant, i.e. special cylinders for the recovery of refrigerant. Cylinders shall be complete with pressure relief valve and associated shut-off valves in good working order. Empty recovery cylinders are evacuated and, if possible, cooled before recovery occurs.

The recovery equipment shall be in good working order with a set of instructions concerning the equipment that is at hand and shall be suitable for the recovery of flammable refrigerants. In addition, a set of calibrated weighing scales shall be available and in good working order. Hoses shall be complete with leak-free disconnect couplings and in good condition. Before using the recovery machine, check that it is in satisfactory working order, has been properly maintained and that any associated electrical components are sealed to prevent ignition in the event of a refrigerant leak. Consult the manufacturer if in doubt.

The recovered refrigerant shall be returned to the refrigerant supplier in the correct recovery cylinder and the relevant waste transfer note shall be arranged. Do not mix refrigerants in recovery units and especially not in cylinders. If compressors or compressor oils are to be removed, ensure that they have been evacuated to an acceptable level to make certain that flammable refrigerant does not remain within the lubricant. The evacuation process shall be carried out prior to returning the compressor to the suppliers. Only electric heating to the compressor body shall be employed to accelerate this process. When oil is drained from a system, it shall be carried out safely.

**SAVE THESE INSTRUCTIONS!**

# INSTALLATION INSTRUCTIONS

## LOCATION

This air conditioner is designed to fit inside a standard double-hung window width opening widths of 22 - 36" (55.9 - 91.4 cm).

The lower sash must open sufficiently to allow a clear vertical opening of 35 cm (13.75").

This air conditioner is not designed for vertical, slider type windows or "through the wall" installation.

Ensure that the window and frame are structurally sound and free from dry or rotted wood.

Install the air conditioner on a side of the building which favors more shade than sunlight. If the appliance must be in direct sunlight, it is advisable to provide a shade awning to ensure efficient functioning.

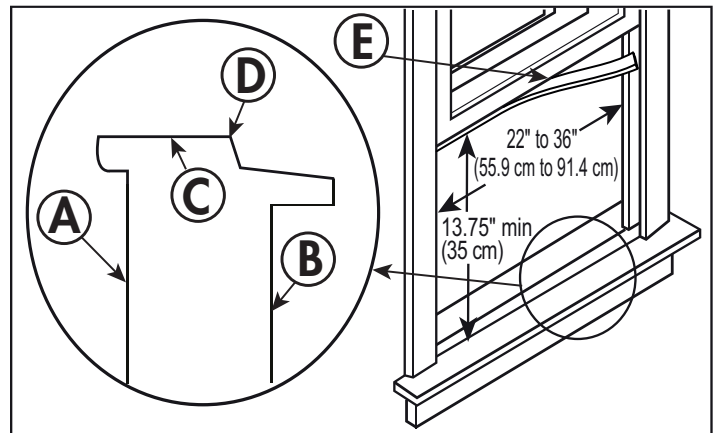
Do not install the appliance where leakage of combustible gas is suspected.

This air conditioner is designed to evaporate condensation under normal conditions. Under extremely hot or humid conditions, excess condensation may overflow to the outside. The air conditioner should be installed where condensation cannot drip on pedestrians or neighboring properties.

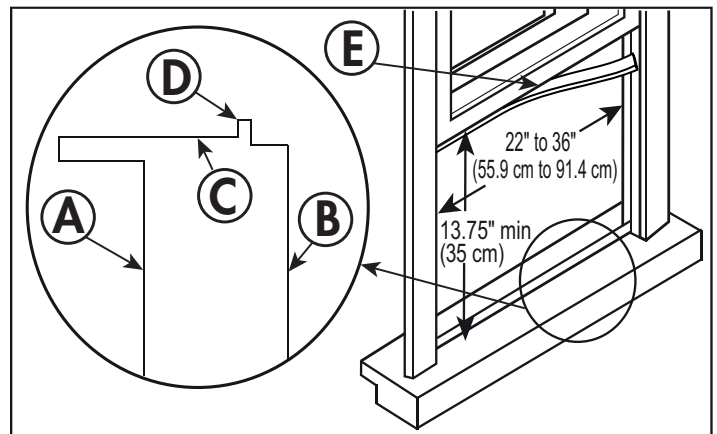
Provide sufficient clearance around the appliance to allow ample air circulation. The rear of the appliance should be outdoors, it should not be in a garage or another room. Keep the appliance away from obstacles and at least 30" above the ground. Ensure that curtains and other obstructions do not block air flow.

- A. Interior wall
- B. Exterior wall
- C. Inner window sill
- D. Offset
- E. Seal foam

## Wooden Windows



## Vinyl-Clad Windows





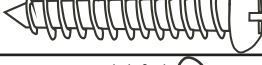


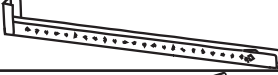



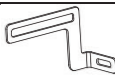
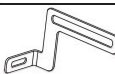






# INSTALLATION INSTRUCTIONS

## REQUIRED TOOLS

- Phillips screwdriver
- Flat head screwdriver
- Pencil
- Measuring Tape
- Carpenter's Level
- Drill and 1/8" drill bit

**Note:** Save the shipping carton and packing materials for future storage or transportation. Please check the contents of the accessory bags against the below check list prior to installation.

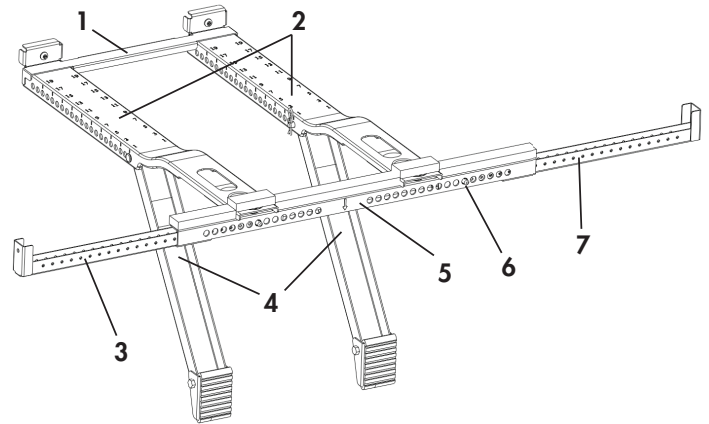
## INCLUDED ACCESSORIES

1/2" type B screw (x2) *	
1/4" type B screw (x2) *	
1" type A screw (x2) *	
1/2" type A screw (x3) *	
Support bracket	
Right extension arm	
Right extension arm (short)	
Main support pin (x2) *	
Cotter pin (x2) *	
Right open window bracket	
Left open window bracket	
Side arm foam (x2)	
Window sash lock	
Window sash foam	
Window sealing foam	
Bracket sealing foam	
Additional side arm foam	

\* Denotes extra hardware provided in separate bag.

## SUPPORT BRACKET DETAILS

1. Rear cross brace
2. Main support
3. Left extension arm
4. Angled support arms
5. Horizontal bracket
6. Spring push pin
7. Right extension arm

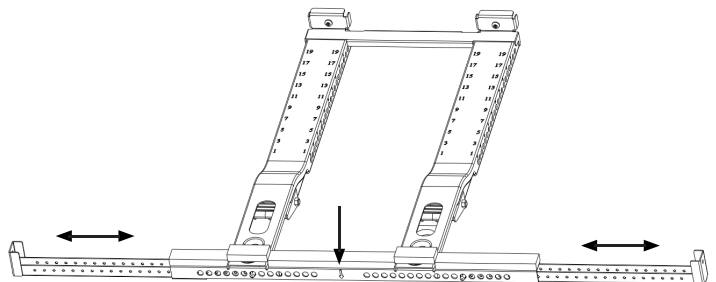


## PREPARE THE SUPPORT BRACKET

1. Find the center of the window sill and lightly mark it with a pencil.
2. Measure the width of the window.
3. Adjust the left extension arm, then install and adjust the right extension arm to the correct width by pressing the spring push pins. Note that the bracket may be slightly offset to the left of center when placed in the window.
4. Apply the bracket sealing foam to the bottom of the left and right extension arms.

Important:

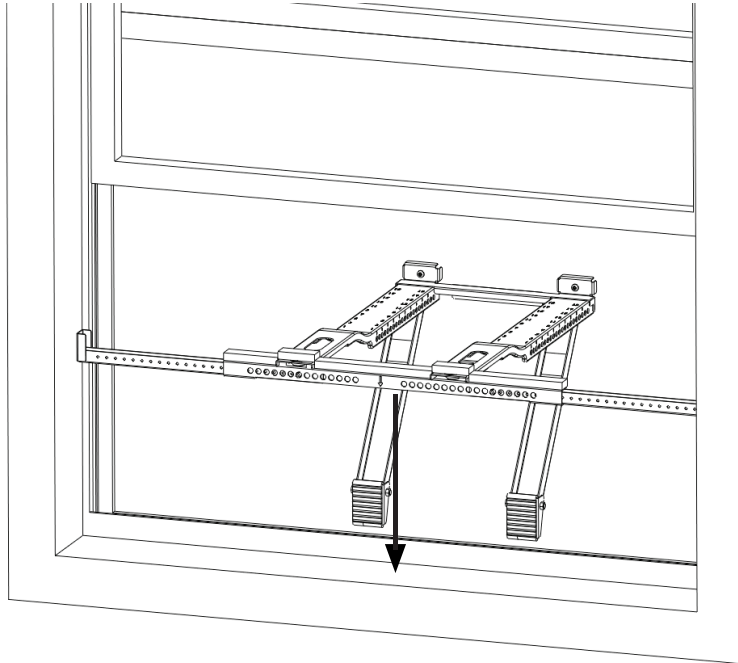
- Windows with widths between 26 - 36" should use the right extension arm.
- Windows with widths between 26 - 26" should use the short right extension arm



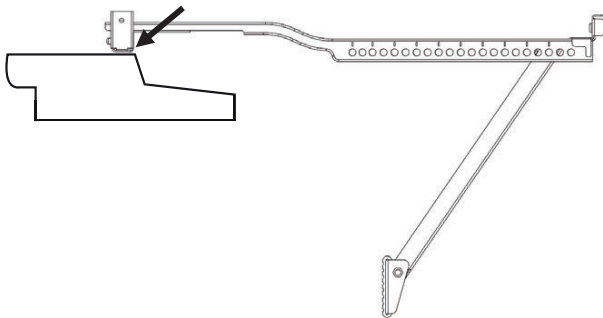
# INSTALLATION INSTRUCTIONS

## INSTALL THE SUPPORT BRACKET

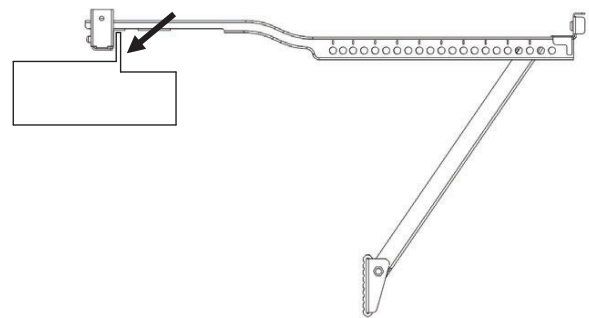
Install the support bracket into the window opening. Ensure that the horizontal bracket and extension arms are located on the indoor side of the window.



### Wooden Window Sill

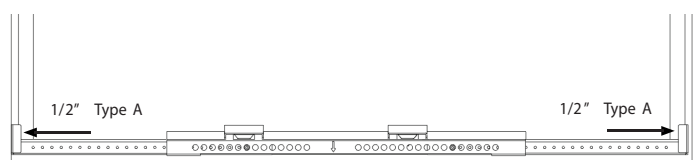
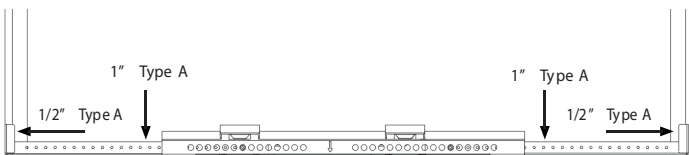


### Vinyl-Clad Window Sill



For wooden window sills or flat window sills, secure the bracket to the window sill by drilling 1/8" pilot holes and installing the 1/2" and 1" type A screws as shown.

For vinyl-clad window sills, secure the bracket to the window sill by drilling 1/8" pilot holes and installing the 1/2" type A screws as shown.

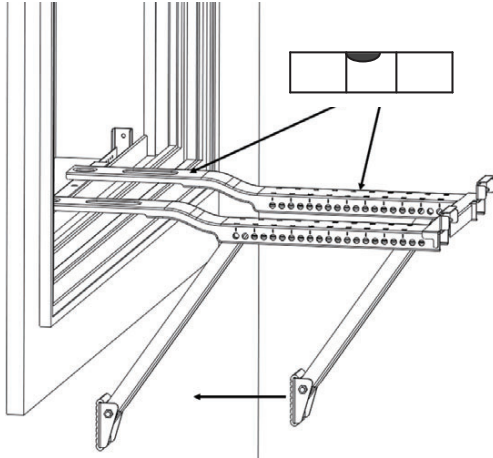


# INSTALLATION INSTRUCTIONS

## Angled Support Arms

Move the angled support arms toward the exterior wall until the feet touch the wall.

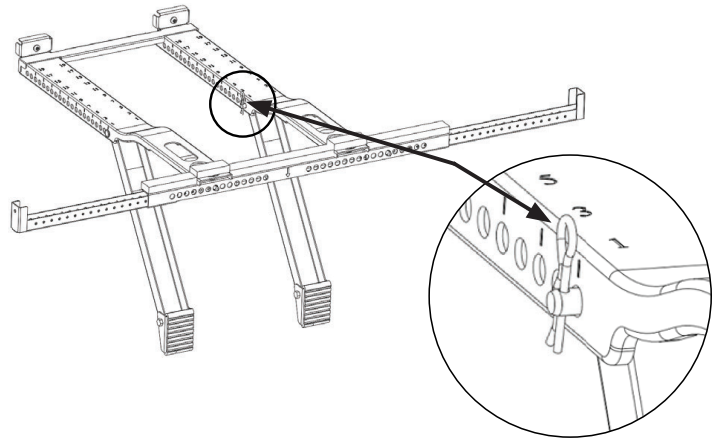
Place the level on the support bracket and adjust the support arms so that it is tilted 1/4 bubble downward toward the outside. The level bubble should appear as shown.



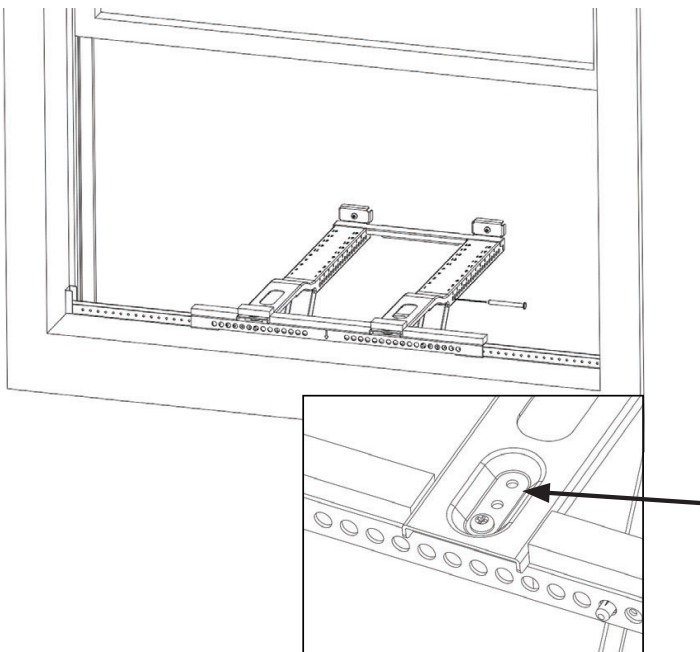
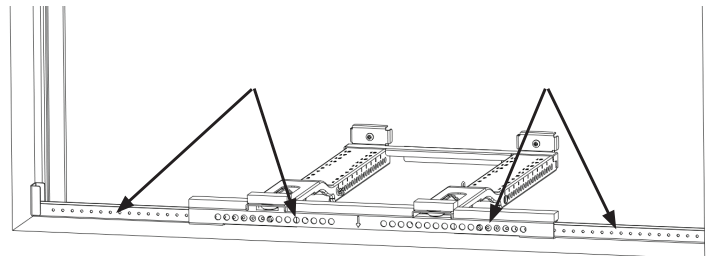
Insert the main support pin through the holes in the support bracket and angled support arms. Ensure that the pins on both sides are in the same numbered hole.

If further adjustment is needed, use alternate holes where the main supports attach to the horizontal bracket.

Check the level again and ensure the bracket feels secure. After making any necessary adjustments, insert the cotter pins into the main support pins.



If necessary, cover the holes in the front of the bracket with the bracket sealing foam.

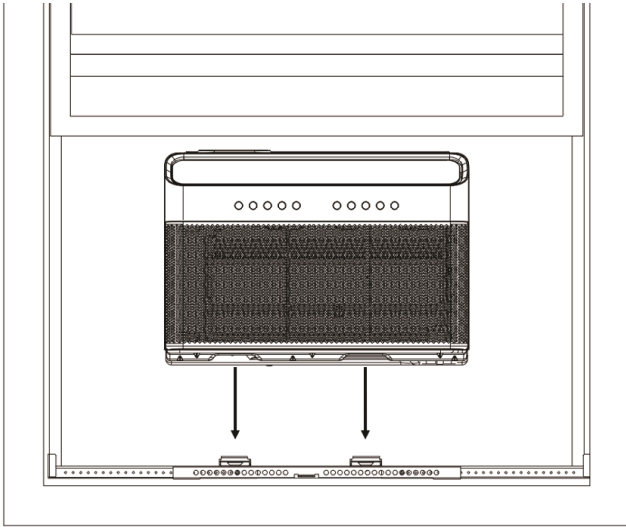




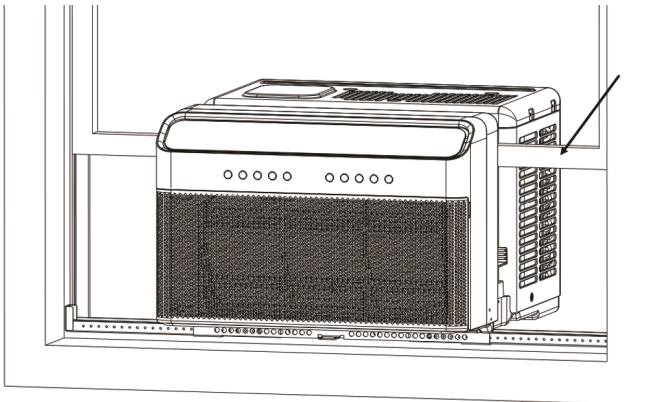
# INSTALLATION INSTRUCTIONS

## INSTALL THE AIR CONDITIONER

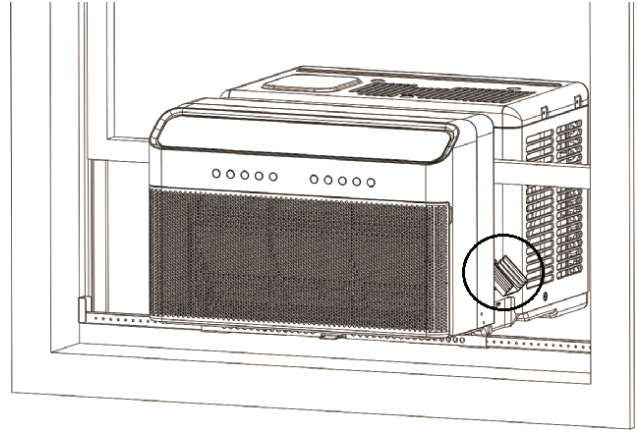
Set the air conditioner on top of the support bracket. Ensure the grooves on the bottom of the air conditioner align with the support bracket. Using a level, check for the proper tilt toward the outside.



Pull the window down into the slot in the air conditioner to hold it steady but do not close it all the way yet.

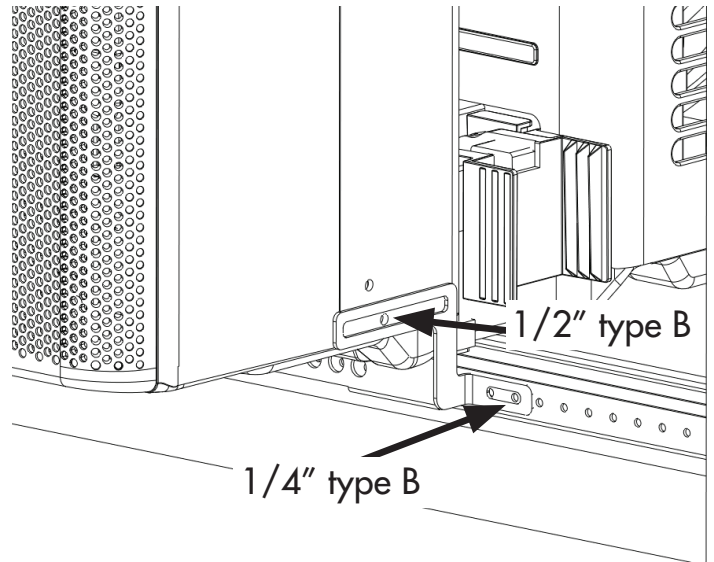


Fold down both side arm hinges.



Install the open window brackets using the provided screws as shown.

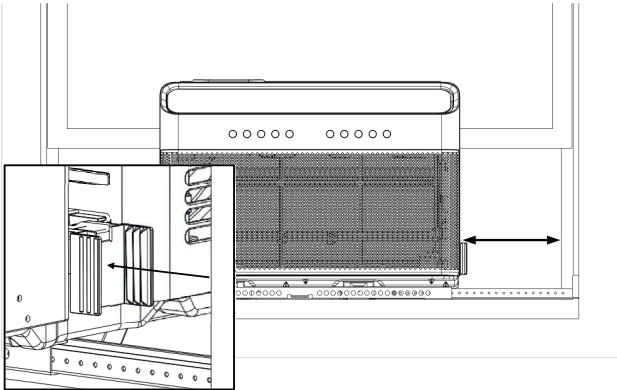
**Warning:** Failing to install the open window brackets could cause injury or property damage.



# INSTALLATION INSTRUCTIONS

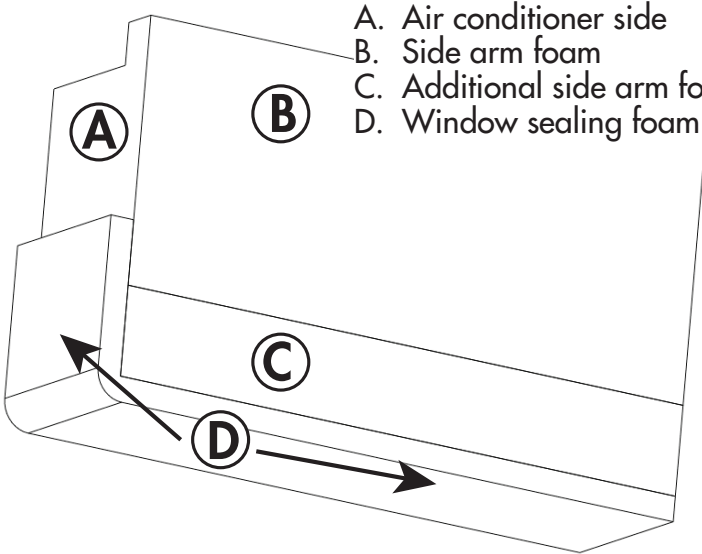
## FOAM INSTALLATION

Measure the distance between the side arm hinge and the closest part of the window frame in side with the side arm. Add 1/4" to this distance and cut the side arm foam to the correct length.



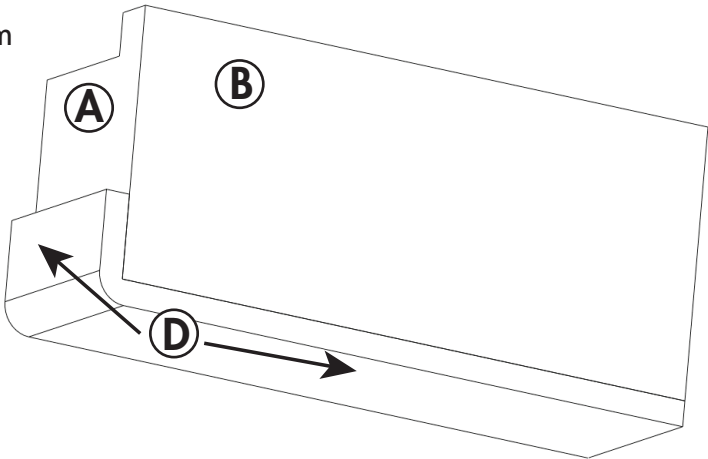
Apply the window sealing foam to the side arm foam as shown. Note that the window sealing foam attaches to the side next to the air conditioner.

### Wooden Window Sill

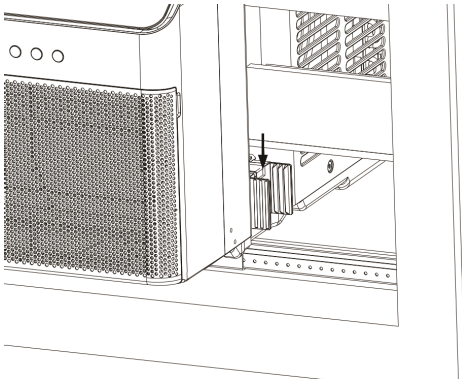


- A. Air conditioner side
- B. Side arm foam
- C. Additional side arm foam
- D. Window sealing foam

### Vinyl-Clad Window Sill



Insert side arm foam into the side arm hinge until the top front of the side arm is flush with the top of the hinge. Complete the side foam installation on both sides of the unit.

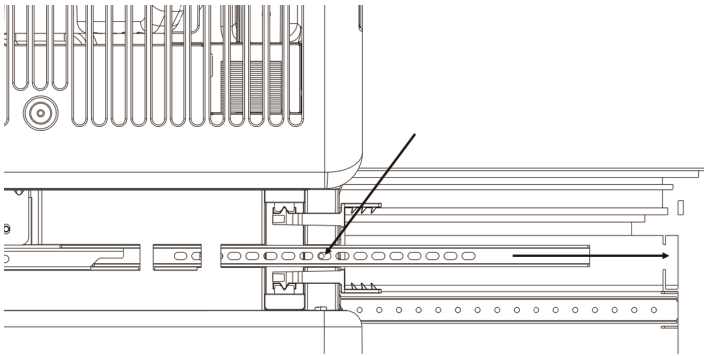


# INSTALLATION INSTRUCTIONS

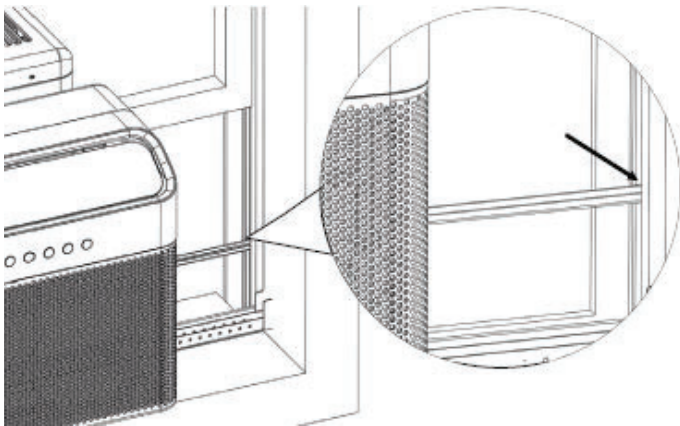
## ANTI TIP BRACKET

The anti tip brackets must be extended into the window track opening until. Remove the screw from the anti tip bracket, extend it as far as it will go to the side of the window and then secure it with the same screw.

**Warning:** The anti tip brackets must be extended into the window track opening. Failure to use the anti tip brackets can cause serious injury or damage.



See below for an example of what the anti tip bracket should look like when properly installed. Note that the side arm foam has been removed from this images for illustration purposes.

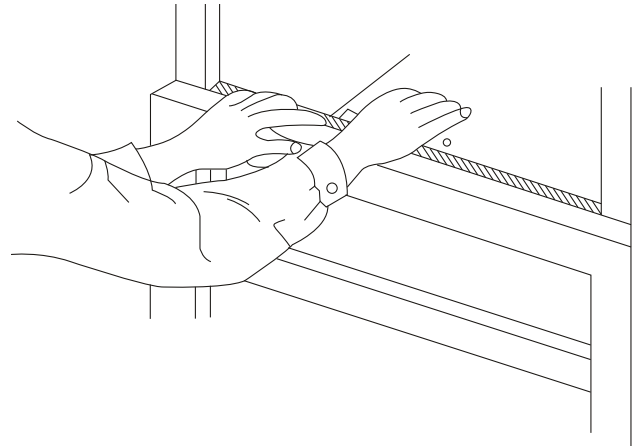


## WINDOW SEALING FOAM

Install a strip of window sealing foam to the bottom of the lower sash to seal any small gaps between the window and the air conditioner. Make sure the window is completely closed and then check for gaps. Fill any gaps with the remaining foam as needed.

Extend the integrated window locks, located in the U-channel, until they contact the window.

Cut the window sash foam and insert it into the space between the upper and lower sashes.



## SASH LOCK

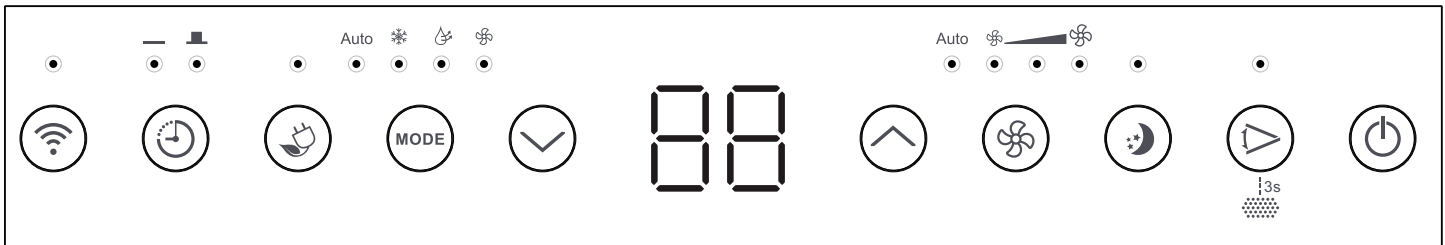
For added security, install the optional sash lock. Secure the sash lock in place using 1/2" type A screws as shown.



# OPERATING INSTRUCTIONS

## CONTROL PANEL

1. **WIRELESS CONNECT:** Press to activate the wireless connection feature.
2. **TIMER:** Press to activate the timer feature.
3. **ECO:** Press to activate the ECO feature.
4. **MODE:** Press to set the desired mode.
5. **TEMPERATURE CONTROL BUTTONS:** Press to change the temperature setting. Press and hold the temperature control buttons at the same time for 3 seconds to change the temperature scale being displayed. The temperature can be set between 16 - 30°C (60 - 86°F).
6. **FAN:** Press to set the desired fan speed.
7. **SLEEP:** Press to activate the sleep feature.
8. **SWING:** Press to initiate the auto swing feature. Press again when the louver reaches the desired angle. Press and hold the swing button for 3 seconds to reset the filter after cleaning.
9. **ON/OFF:** Press to turn the appliance on or off.



## MODE

Press the mode button to choose the desired mode.

### Auto

Auto mode will automatically set cooling or fan only operation based on the current temperature in the room. Fan speed cannot be adjusted in this mode.

### Cool

Choose cool mode to set the cooling function. Use the temperature control buttons to choose the desired temperature. The fan speed can be adjusted by pressing the fan button.

### Dry

Choose dry mode to set the dehumidifying function. Condensed water will drain out the back of the unit. Fan speed cannot be adjusted in this mode.

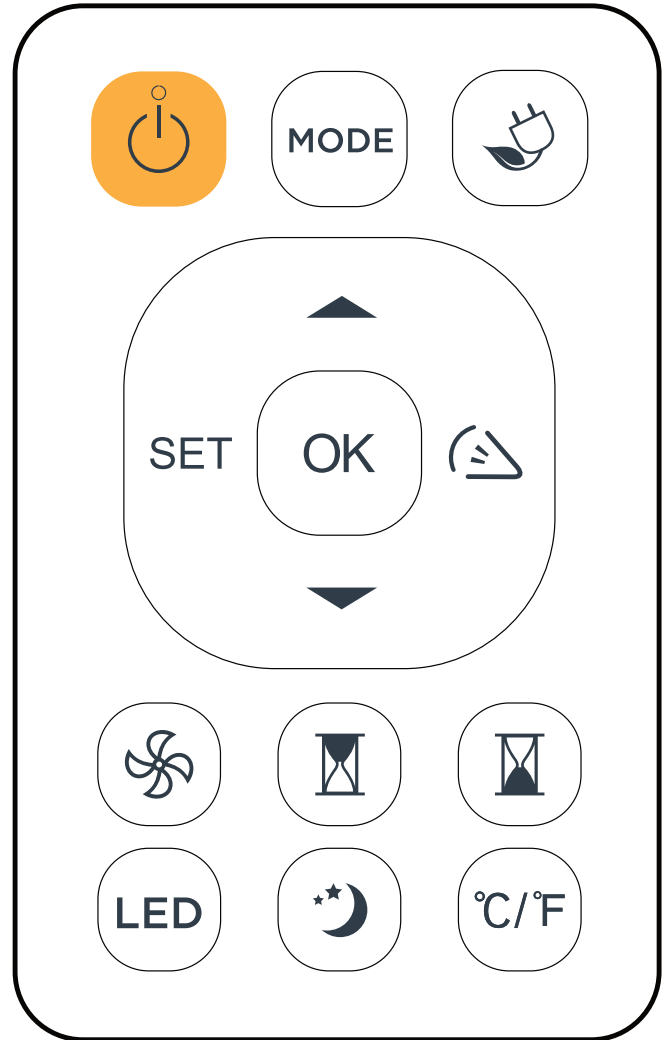
### Fan

Fan mode will run the internal fan without engaging the cooling function. The fan speed can be adjusted by pressing the fan button.

# OPERATING INSTRUCTIONS

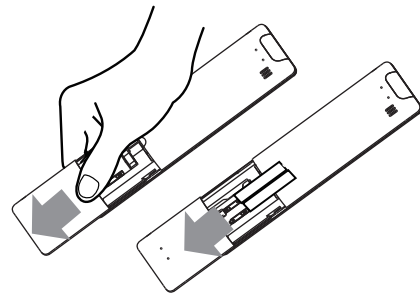
## REMOTE CONTROL

1. **ON/OFF:** Press to turn the appliance on or off.
2. **MODE:** Press to set the desired mode.
3. **ECO:** Press to activate the ECO feature.
4. **WIRELESS CONNECT:** Press to activate the wireless connection feature.
5. **TEMPERATURE CONTROL BUTTONS:** Press to change the temperature setting.
6. **SWING:** Press to initiate the auto swing feature. Press again when the louver reaches the desired angle.
7. **FAN:** Press to set the desired fan speed.
8. **TIMER ON:** Press to activate the automatic on timer.
9. **TIMER OFF:** Press to activate the automatic off timer.
10. **LED:** Press to turn off the display on the appliance.
11. **SLEEP:** Press to activate the sleep feature.
12. **C°/F°:** Press to change the temperature scale being displayed.



## REPLACING REMOTE BATTERIES

1. Slide the back cover from the remote control downward to expose the battery compartment.
2. Insert new batteries. Match the (+) and (-) on the batteries to the markings on the compartment.
3. Slide the battery cover back into place.



## Important Notes

- The remote control must be used within 8 meters of the appliance.
- The appliance will beep when a signal is received from the remote.
- Curtains and direct sunlight can interfere with the remote signal.
- Remove the batteries if the remote will not be used for more than 2 months.
- Do not mix old and new batteries or batteries of different types.
- Do not dispose of batteries as unsorted municipal waste. Refer to local laws for proper disposal of batteries.

# OPERATING INSTRUCTIONS

## REMOTE CONTROL REGULATIONS

This equipment has been tested and found to comply with the limits for a Class B digital device, pursuant to Part 15 of the FCC Rules. These limits are designed to provide reasonable protection against harmful interference in a residential installation. This equipment generates, uses and can radiate radio frequency energy and, if not installed and used in accordance with the instructions, may cause harmful interference to radio communications. However, there is no guarantee that interference will not occur in a particular installation.

If this equipment does cause harmful interference to radio or television reception, which can be determined by turning the equipment off and on, the user is encouraged to try to correct the interference by one or more of the following measures:

1. Reorient or relocate the receiving antenna
2. Increase the separation between the equipment and receiver
3. Connect the equipment into an outlet on a circuit different from that to which the receiver is connected
4. Consult the dealer or an experienced radio/TV technician for help

Changes or modifications not approved by the party responsible for FCC and Industry Canada compliance could void the user's authority to operate the equipment. This appliance complies with Part 15 of the FCC Rules and license-exempt RSS standards.

Operation is subject to the following conditions:

1. This device may not cause interference.
2. This device must accept any interference received, including interference that may cause undesired operation.

This equipment complies with FCC RF and IC RSS-102 radiation exposure limits set forth for an uncontrolled environment. This equipment should be installed and operated with minimum distance 20cm(8 inches) between the radiator and your body.

This device complies with RSS-247 of Industry Canada. Operation is subject to the condition that this device does not cause harmful interference.

This device complies with Canadian CAN ICES-3 (B) / NMB-3 (B)

This device contains:

FCC ID: 24951-MZNA19

IC: 12575A-MDNA19

# OPERATING INSTRUCTIONS

## WIRELESS CONNECTION

This appliance can be controlled with a wireless application on your wireless device.

Visit <https://www.danby.com/support/#apps> to download the application and learn about its operation.

## TIMER

Press the timer button and either the timer on or timer off indicator will illuminate to indicate that either the auto start or auto stop cycle is being set. For some units continuing to press the timer button will cancel the timer settings.

Press the temperature control buttons to change the set time by 0.5 hour increments up to 10 hours and then at 1 hour increments up to 24 hours. The display will count down the time remaining.

The selected time will register in 5 seconds and the system will automatically revert back to display the previous temperature setting or room temperature.

Turning the appliance on or off at any time or adjusting the timer setting to 0 will cancel the timer settings.

## SLEEP

Press the sleep button to initiate the sleep feature which will conserve energy during sleeping hours. This feature is available in cool mode.

When selected, the set temperature will increase by 2° 30 minutes after sleep mode is initiated. 30 minutes later, the temperature will increase by another 2°. The new temperature will be maintained for 7 hours before the appliance returns to normal operation.

The sleep feature can be canceled at any time by pressing the sleep button.

## ECO

The ECO feature is available in cool, dry and auto modes. The fan will continue to run for 3 minutes after the compressor shuts off. The fan then cycles on for 2 minutes in 10 minute intervals until the room temperature is above the set temperature and the compressor turns back on. This will minimize how often the compressor turns on.

## LOCK

On the remote control, press and hold the LED and the C°/F° buttons at the same time for 5 seconds to activate the control panel lock. Buttons on the control panel and the remote control cannot be pressed when the control panel lock is active.

Press and hold the LED and C°/F° buttons at the same time for 5 seconds to deactivate the control panel lock.

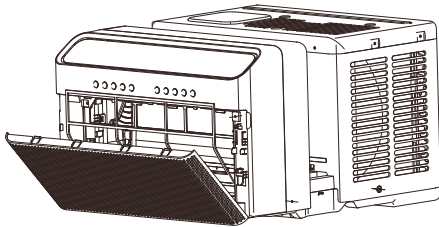
## CARE & MAINTENANCE

### AIR FILTER

The air filter should be cleaned at least once a month. The air filter may require more frequent cleaning if there is significant dander or fur in the air.

1. Push the vent handle to the vent closed position. Open the front panel.
2. Hold the filter in the center and pull it up and out.
3. Use a vacuum cleaner with a soft brush attachment to remove any large debris or dust build up from the air filter.
4. Wash the filter in lukewarm, soapy water, below 40°C (104°F), or use a neutral cleaning agent.
5. Rinse the filter with clean water and dry thoroughly before reinstalling in the appliance.

**Note:** Do not operate the appliance without the air filter installed.



### SOUNDS

All of the following sounds may be produced during normal operation:

#### **Pinging or swishing**

- Droplets of water hitting the condenser may cause pinging or swishing noises

#### **Gurgle or hiss**

- Refrigerant passing through the evaporator can sometimes sound like gurgling or hissing

#### **High pitched chatter**

- High efficiency compressors may produce a high pitched chatter during the cooling cycle

#### **Rushing air**

- The fan will produce the sound of rushing air from the front of the air conditioner

#### **“Da-da” sound when unit is turned on**

- This sound is produced by the compressor starting

### CLEANING

To avoid possible electric shock, ensure that the appliance is unplugged before performing any cleaning or maintenance.

The outside of the appliance can be wiped clean with a soft cloth or with a lukewarm, damp cloth if necessary.

Do not use gasoline, benzene, thinner or any other chemicals to clean this appliance as these substances can cause damage to the finish and deformation of plastic parts.

Never pour water directly onto the appliance as this will cause deterioration of electrical components and wiring insulation.

### END OF SEASON CARE

Before removing the appliance from service for the year, operate the appliance on high fan mode for half a day to ensure the inside of the appliance is dry. This will help avoid the growth of mold or mildew inside the appliance. Ensure the filter is clean and dry. Store the appliance covered in a dry location.

**Note:** When installing or removing the appliance from the window, ensure that caution is taken to prevent it from falling backward. It is recommended that installation or removal is completed with assistance to prevent injury to persons or damage to property or the appliance.

### DISPOSAL

Check for local regulatory compliance regarding approved and safe disposal of this appliance.



## FREQUENTLY ASKED QUESTIONS

### **Can I leave my AC in place through the winter?**

This is not recommended. Please bring your AC unit indoors during the winter months.

### **What are the standard wattage and amps used?**

Information pertaining to watts and amps can be found on the rating plate located on the side of the unit.

### **Can I use an extension cord?**

No, an extension cord may not be used.

### **Why do I hear water in the unit?**

Water is collected during the air conditioning process. This water will drain out of the unit and onto the ground and is why the unit should be installed on a slight downward tilt.

### **How much does it cost to run the unit?**

Please refer to the energy guide.

## **Odors**

Odour is caused by the formation of mold or mildew on internal surfaces. This can happen when there is poor air circulation, a dirty filter or the air conditioner was not used for a period of time.

- Ensure the filter is clean.
- Run the unit on fan mode to remove any internal moisture.
- Ensure that back of the unit is installed downward slope so the water can drain outside.

If the odour continues, we suggest using an algaecide tablet. Unplug the unit, then place half the tablet through each side of the unit, through the slots on the side (usually on the portion outside of the window). Please do not place the tablet through the front grill.

## TROUBLESHOOTING

### Appliance will not operate

- Plug is not fully inserted into the wall outlet
- Blown fuse or circuit breaker

### Insufficient cooling

- Air filter is dirty
- Blocked air flow
- Appliance size is too small for application

### Noise

- Normal sounds are listed in the operating instructions
- Vibration or rattling can be produced by inadequate support in window installation, refer to installation instructions to ensure unit is properly installed

### Water dripping inside

- Appliance is not properly angled to allow water to drain to the outside

### Water dripping outside

- On very hot or humid days dripping water from the back of the appliance is normal

### Frost build up

- When outdoor temperatures are below 18.3°C (65°F) frost may form when the appliance is in cooling mode
- Switch the appliance to fan only mode until the frost melts

### Air conditioner starts and stops frequently

- Air filter is dirty causing insufficient air flow
- Outside temperature is excessively hot, set the fan speed higher to bring air through the cooling coils more rapidly

## LIMITED "IN HOME" WARRANTY

This quality product is warranted to be free from manufacturer's defects in material and workmanship, provided that the unit is used under the normal operating conditions intended by the manufacturer.

This warranty is available only to the person to whom the unit was originally sold by Danby Products Limited (Canada) or Danby Products Inc. (U.S.A.) (hereafter "Danby") or by an authorized distributor of Danby, and is non-transferable.

### TERMS OF WARRANTY

Plastic parts are warranted for thirty (30) days from the date of purchase, with no extensions provided.

**First 24 months** During the first **twenty four (24) months**, any functional parts of this product found to be defective, will be repaired or replaced, at warrantor's option, at no charge to the original purchaser.

**To obtain service** Contact the dealer where the unit was purchased, or contact the nearest authorized Danby service depot, where service must be performed by a qualified service technician. If service is performed on the unit by anyone other than an authorized service depot, all obligations of Danby under this warranty shall be void.

**Boundaries of in-home service** Danby reserves the right to limit the boundaries of "In Home Service" to the proximity of an authorized service depot. Any appliance requiring service outside the limited boundaries of "In Home Service", will be the consumer's responsibility to transport at their own expense to the original point of purchase or a service depot for repair. If the appliance is installed in a location that is **100 kilometers (62 miles)** or more from the nearest service center, it must be delivered to the nearest authorized Danby Service Depot by the purchaser.

Transportation charges to and from the service location are not protected by this warranty and are the responsibility of the purchaser.

Nothing within this warranty shall imply that Danby will be responsible or liable for any spoilage or damage to food or other contents of this appliance, whether due to any defect of the appliance, or its use, whether proper or improper.

### EXCLUSIONS

Save as herein provided, by Danby, there are no other warranties, conditions, representations or guarantees, express or implied, made or intended by Danby or its authorized distributors and all other warranties, conditions, representations or guarantees, including any warranties, conditions, representations or guarantees under any Sale of Goods Act or like legislation or statute is hereby expressly excluded. Save as herein provided, **Danby shall not be responsible for any damages to persons or property, including the unit itself, howsoever caused or any consequential damages arising from the malfunction of the unit and by the purchase of the unit, the purchaser does hereby agree to indemnify and hold harmless Danby from any claim for damages to persons or property caused by the unit.**

### GENERAL PROVISIONS

No warranty or insurance herein contained or set out shall apply when damage or repair is caused by any of the following:

- 1) Power failure.
- 2) Damage in transit or when moving the appliance.
- 3) Improper power supply such as low voltage, defective house wiring or inadequate fuses.
- 4) Accident, alteration, abuse or misuse of the appliance such as inadequate air circulation in the room or abnormal operating conditions (ie. extremely high or low room temperature).
- 5) Use for commercial or industrial purposes (ie. If the appliance is not installed in a domestic residence).
- 6) Fire, water damage, theft, war, riot, hostility, acts of God such as hurricanes, floods etc.
- 7) Service calls resulting in customer education.
- 8) Improper Installation (ie. Building-in of a free standing appliance or using an appliance outdoors that is not approved for outdoor application, including but not limited to: garages, patios, porches or anywhere that is not properly insulated or climate controlled).

Proof of purchase date will be required for warranty claims; retain bills of sale. In the event that warranty service is required, present the proof of purchase to our authorized service depot.

**Warranty Service  
In Home**

Danby Products Limited  
PO Box 1778, Guelph, Ontario, Canada N1H 6Z9  
Telephone: (519) 837-0920 FAX: (519) 837-0449

**1-800-263-2629  
04/17**

Danby Products Inc.  
PO Box 669, Findlay, Ohio, U.S.A. 45840  
Telephone: (419) 425-8627 FAX: (419) 425-8629

# Bienvenue dans la famille Danby.

Nous sommes fiers de nos produits de qualité et nous croyons en un service fiable. Nous vous suggérons de lire ce manuel du propriétaire avant de brancher votre nouvel appareil car il contient des informations de fonctionnement importantes, des informations de sécurité, des conseils de dépannage et d'entretien pour assurer la fiabilité et la longévité de votre appareil.

Vous avez droit à la couverture de la garantie décrite dans le manuel du propriétaire fourni avec votre nouvel appareil.

1. Veuillez noter ci-dessous les informations relatives à votre appareil. Vous devez conserver la preuve d'achat originale pour valider et bénéficier des services de garantie.
2. Enregistrez votre produit en ligne et recevez une **PROLONGATION DE GARANTIE GRATUITE DE 2 MOIS** après avoir rempli une enquête sur les produits, à l'adresse [www.danby.com/support/product-registration/](http://www.danby.com/support/product-registration/)

Numéro de modèle : \_\_\_\_\_

Numéro de série : \_\_\_\_\_

Date d'achat : \_\_\_\_\_

## Besoin d'assistance?

1. Lisez votre manuel du propriétaire pour obtenir de l'aide à l'installation, au dépannage et à la maintenance.
2. Visitez [www.Danby.com](http://www.Danby.com) pour accéder aux outils en libre-service, aux FAQ et bien plus encore en recherchant votre numéro de modèle dans la barre de recherche.
3. Pour bénéficier du **service client le plus rapide**, veuillez remplir le formulaire Web à l'adresse [www.danby.com/support](http://www.danby.com/support). Votre soumission ira directement à un expert de votre appareil particulier. Nos temps de réponse moyens sont compris entre 20 minutes et 2 heures, pendant les heures ouvrables EST.
4. Composez le **1-800-263-2629** - veuillez noter que pendant les heures de pointe, les temps d'attente peuvent dépasser une heure.



## Consignes de sécurité importantes

LIRE ET SUIVRE TOUTES LES INSTRUCTIONS DE SÉCURITÉ



	ATTENTION	Indique que l'appareil utilise un réfrigérant inflammable. Si le réfrigérant fuit et est exposé à une source d'allumage externe, il existe un risque d'incendie.
	MISE EN GARDE	Indique que le manuel d'utilisation doit être lu attentivement.
	MISE EN GARDE	Indique que le personnel de service doit manipuler cet équipement en se référant au manuel d'installation.
	MISE EN GARDE	Indique que les informations sont disponibles telles que le manuel d'utilisation ou le manuel d'installation.



### ATTENTION: RISQUE D'INCENDIE

Fluide frigorigène inflammable utilisé. Lors de l'entretien ou de la mise au rebut du climatiseur, le réfrigérant ne doit pas pouvoir s'échapper à l'air libre.

**GARDEZ CES INSTRUCTIONS!**



## Consignes de sécurité importantes

### LIRE ET SUIVRE TOUTES LES INSTRUCTIONS DE SÉCURITÉ



## PRÉCAUTIONS DE SÉCURITÉ

### ATTENTION

- L'installation doit être effectuée conformément aux instructions d'installation. Une mauvaise installation peut provoquer des fuites d'eau, des chocs électriques ou un incendie.
- Utilisez uniquement les accessoires et pièces inclus et les outils spécifiés pour l'installation. L'utilisation de pièces non standard peut provoquer des fuites d'eau, des chocs électriques, des incendies et des blessures ou des dommages matériels.
- Assurez-vous que la prise que vous utilisez est mise à la terre et a la tension appropriée. Le cordon d'alimentation est équipé d'une fiche de mise à la terre à trois broches pour protéger contre les chocs. Les informations sur la tension se trouvent sur la plaque signalétique de l'unité.
- Votre appareil doit être utilisé dans une prise murale correctement mise à la terre. Si la prise murale que vous envisagez d'utiliser n'est pas correctement mise à la terre ou protégée par un fusible temporisé ou un disjoncteur (le fusible du disjoncteur nécessaire est déterminé par le courant maximum de l'unité. Le courant maximum est indiqué sur la plaque signalétique située sur l'unité), demandez à un électricien qualifié d'installer la prise appropriée.
- Installez l'appareil sur une surface plane et solide. Le non-respect de cette consigne peut entraîner des dommages ou un bruit et des vibrations excessifs.
- L'unité doit être maintenue libre de toute obstruction pour assurer un bon fonctionnement et pour atténuer les risques pour la sécurité.
- Ne modifiez pas la longueur du cordon d'alimentation et n'utilisez pas de rallonge pour alimenter l'unité.
- Ne partagez pas une seule prise avec d'autres appareils électriques. Une alimentation électrique incorrecte peut provoquer un incendie ou un choc électrique.
- N'installez pas votre climatiseur dans une pièce humide telle qu'une salle de bain ou une buanderie. Une exposition excessive à l'eau peut provoquer un court-circuit des composants électriques.
- N'installez pas l'unité dans un endroit qui pourrait être exposé à des gaz combustibles car cela pourrait provoquer un incendie.
- L'unité a des roues pour faciliter le déplacement. Veillez à ne pas utiliser les roues sur un tapis épais ou à rouler sur des objets car cela pourrait provoquer un basculement.
- N'utilisez pas un appareil tombé ou endommagé.
- L'appareil avec chauffage électrique doit avoir au moins 1 mètre d'espace par rapport aux matériaux combustibles.
- Ne touchez pas l'appareil avec les mains mouillées ou humides ou pieds nus.
- Si le climatiseur est renversé pendant son utilisation, éteignez l'appareil et débranchez-le immédiatement de l'alimentation principale. Inspectez visuellement l'appareil pour vous assurer qu'il n'y a pas de dommages. Si vous pensez que l'appareil a été endommagé, contactez un technicien ou un service client pour obtenir de l'aide.
- En cas d'orage, l'alimentation électrique doit être coupée pour éviter d'endommager la machine en raison de la foudre.
- Votre climatiseur doit être utilisé de manière à être protégé de l'humidité. par exemple. condensation, éclaboussures d'eau, etc. Ne placez pas et ne stockez pas votre climatiseur là où il pourrait tomber ou être entraîné dans l'eau ou tout autre liquide. Débranchez immédiatement si cela se produit.
- Tout le câblage doit être effectué strictement conformément à l'emplacement du schéma de câblage à l'intérieur de l'unité.
- La carte de circuit imprimé de l'unité (PCB) est conçue avec un fusible pour fournir une protection contre les surintensités. Les spécifications du fusible sont imprimées sur le circuit imprimé.
- Lorsque la fonction de vidange de l'eau n'est pas utilisée, maintenez les bouchons de vidange supérieur et inférieur fermement installés dans l'unité. Les bouchons de vidange peuvent présenter un risque d'étouffement pour les enfants.

**GARDEZ CES INSTRUCTIONS!**



## Consignes de sécurité importantes

### LIRE ET SUIVRE TOUTES LES INSTRUCTIONS DE SÉCURITÉ



#### MISE EN GARDE

- Cet appareil n'est pas destiné à être utilisé par des personnes (y compris des enfants) dont les capacités physiques, sensorielles ou mentales peuvent être différentes ou réduites, ou qui manquent d'expérience ou de connaissances, à moins que ces personnes ne reçoivent une supervision ou une formation pour faire fonctionner l'appareil par une personne responsable de leur sécurité. Les enfants doivent être surveillés pour s'assurer qu'ils ne jouent pas avec l'appareil. Les enfants doivent être surveillés à tout moment autour de l'unité.
- Si le cordon d'alimentation est endommagé, il doit être remplacé par le fabricant, son agent de service ou des personnes de qualification similaire afin d'éviter tout danger.
- Avant le nettoyage ou tout autre entretien, l'appareil doit être débranché de l'alimentation électrique.
- Ne retirez aucun couvercle fixe. N'utilisez jamais cet appareil s'il ne fonctionne pas correctement ou s'il est tombé ou est endommagé.
- Ne faites pas passer le cordon sous la moquette. Ne couvrez pas le cordon avec des tapis, des patins ou des revêtements similaires. Ne faites pas passer le cordon sous des meubles ou des appareils. Disposez les cordons loin de la circulation et à un endroit où ils ne risquent pas de trébucher.
- N'utilisez pas un appareil dont le cordon d'alimentation, la fiche, le fusible d'alimentation ou le disjoncteur sont endommagés. Jetez l'appareil ou renvoyez-le à un centre de service autorisé pour examen et / ou réparation.
- Pour réduire le risque d'incendie ou d'électrocution, n'utilisez pas ce climatiseur avec un dispositif de contrôle de vitesse à semi-conducteurs.
- L'appareil doit être installé conformément aux réglementations nationales en matière de câblage.
- Contactez le technicien de service agréé pour la réparation ou l'entretien de cet appareil.
- Contactez l'installateur de service autorisé pour l'installation de cet appareil.
- Ne pas couvrir ni obstruer les grilles d'entrée ou de sortie.
- N'utilisez pas ce produit pour des fonctions autres que celles décrites dans ce manuel d'instructions.
- Avant le nettoyage, coupez l'alimentation et débranchez l'appareil.
- Débranchez l'alimentation si des sons, des odeurs ou de la fumée étranges en proviennent.
- N'appuyez pas sur les boutons du panneau de commande avec autre chose que vos doigts.
- Ne retirez aucun couvercle fixe. N'utilisez jamais cet appareil s'il ne fonctionne pas correctement ou s'il est tombé ou est endommagé.
- N'utilisez pas et n'arrêtez pas l'appareil en insérant ou en retirant la fiche du cordon d'alimentation.
- N'utilisez pas de produits chimiques dangereux pour nettoyer ou entrer en contact avec l'unité. N'utilisez pas l'appareil en présence de substances inflammables ou de vapeurs telles que de l'alcool, des insecticides, de l'essence, etc.
- Transportez toujours votre climatiseur en position verticale et tenez-vous debout sur une surface stable et plane pendant l'utilisation.
- Contactez toujours une personne qualifiée pour effectuer les réparations. Si le cordon d'alimentation endommagé doit être remplacé par un nouveau cordon d'alimentation fourni par le fabricant du produit et non réparé.
- Tenez la fiche par la tête de la fiche d'alimentation lorsque vous la retirez.
- Éteignez l'appareil lorsqu'il n'est pas utilisé.

**GARDEZ CES INSTRUCTIONS!**



## Consignes de sécurité importantes

### LIRE ET SUIVRE TOUTES LES INSTRUCTIONS DE SÉCURITÉ



#### Remarque sur les gaz fluorés

- Les gaz à effet de serre fluorés sont contenus dans des équipements hermétiquement fermés. Pour des informations spécifiques sur le type, la quantité et l'équivalent CO<sub>2</sub> en tonnes de gaz à effet de serre fluoré sur certains modèles. Veuillez vous référer à l'étiquette correspondante sur l'unité elle-même.
- L'installation, l'entretien, la maintenance et la réparation de cet appareil doivent être effectués par un technicien certifié.
- L'installation et le recyclage du produit doivent être effectués par un technicien certifié.

#### AVERTISSEMENT pour l'utilisation du réfrigérant R32

- N'utilisez pas de moyens pour accélérer le processus de dégivrage ou pour nettoyer autres que ceux recommandés par le fabricant.
- L'appareil doit être stocké dans une pièce sans sources d'allumage fonctionnant en permanence, par exemple, des flammes nues, un appareil à gaz en fonctionnement ou un radiateur électrique en fonctionnement.
- Ne pas percer ni brûler.
- Sachez que les réfrigérants peuvent ne pas contenir d'odeur.
- L'appareil doit être installé, utilisé et stocké dans une pièce avec une surface au sol en fonction de la quantité de réfrigérant à charger. Pour des informations spécifiques sur le type de gaz et la quantité, veuillez vous référer à l'étiquette correspondante sur l'unité elle-même. Lorsqu'il y a des différences entre l'étiquette et le manuel sur la description de la surface minimale de la pièce, la description sur l'étiquette prévaut.
- Le respect des réglementations nationales en matière de gaz doit être respecté.
- Gardez les ouvertures de ventilation libres de toute obstruction.
- L'appareil doit être stocké de manière à éviter tout dommage mécanique.
- Un avertissement indiquant que l'appareil doit être stocké dans une zone bien ventilée où la taille de la pièce correspond à la zone de la pièce spécifiée pour le fonctionnement.
- Toute personne impliquée dans le travail sur le circuit frigorifique doit être titulaire d'un certificat valide et à jour délivré par une autorité d'évaluation accréditée par l'industrie qui autorise sa compétence à manipuler les réfrigérants en toute sécurité conformément à une spécification d'évaluation reconnue par l'industrie.
- L'entretien ne doit être effectué que selon les recommandations du fabricant. La maintenance et les réparations nécessitant l'assistance d'autres personnes qualifiées doivent être effectuées sous la supervision de la personne compétente dans l'utilisation de réfrigérants inflammables.
- Veuillez suivre attentivement les instructions pour manipuler, installer, nettoyer et entretenir le climatiseur afin d'éviter tout dommage ou danger. Le réfrigérant inflammable R32 est utilisé dans ce climatiseur. Lors de l'entretien ou de la mise au rebut du climatiseur, le réfrigérant doit être récupéré correctement et ne doit pas être autorisé à se décharger directement dans l'air.
- Aucun feu ouvert ou dispositif comme un interrupteur susceptible de générer une étincelle / un arc ne doit se trouver autour du climatiseur pour éviter d'allumer le réfrigérant inflammable utilisé.
- Veuillez suivre attentivement les instructions pour stocker ou entretenir le climatiseur afin d'éviter tout dommage mécanique.
- Le réfrigérant inflammable -R32 est utilisé dans le climatiseur. Veuillez suivre attentivement les instructions pour éviter tout danger. Pour des informations spécifiques sur le type de gaz et la quantité, veuillez consulter l'étiquette correspondante sur l'unité elle-même.
- L'appareil doit être stocké dans une pièce sans flammes nues fonctionnant en continu (par exemple un appareil à gaz en fonctionnement) et sans sources d'inflammation (par exemple un radiateur électrique en fonctionnement).

**GARDEZ CES INSTRUCTIONS!**





## Important Safety Information READ AND FOLLOW ALL SAFETY INSTRUCTIONS



### Transport d'équipements contenant des fluides frigorigènes inflammables

Voir les règlements de transport.

### Marquage des équipements à l'aide de panneaux

Voir les réglementations locales.

### Élimination de l'équipement utilisant des réfrigérants inflammables

Voir les réglementations nationales.

### Stockage des équipements / appareils

Le stockage de l'équipement doit être conforme aux instructions du fabricant.

### Stockage des équipements emballés (invendus)

La protection de l'emballage de stockage doit être construite de manière à ce que les dommages mécaniques à l'équipement à l'intérieur de l'emballage ne provoquent pas de fuite de la charge de réfrigérant. Le nombre maximum d'équipements pouvant être stockés ensemble sera déterminé par les réglementations locales.

### Informations sur le service

- 1. Chèques à la région:** Avant de commencer à travailler sur des systèmes contenant des frigorigènes inflammables, des contrôles de sécurité sont nécessaires pour réduire au minimum le risque d'inflammation. Pour réparer le système de réfrigération, les précautions suivantes doivent être respectées avant de procéder à des travaux sur le système.
- 2. Procédure de travail:** Les travaux doivent être effectués selon une procédure contrôlée, de manière à minimiser le risque de présence de gaz ou de vapeurs inflammables pendant l'exécution des travaux.
- 3. Zone de travail générale:** Tout le personnel de maintenance et les autres personnes travaillant dans la zone locale doivent être informés de la nature des travaux effectués. Les travaux dans des espaces confinés doivent être évités. La zone autour de l'espace de travail doit être divisée. Assurez-vous que les conditions dans la zone de travail ont été sécurisées en retirant tout matériau inflammable.
- 4. Vérification de la présence de réfrigérant:** Le zone sont doivent être vérifiés avec un détecteur de réfrigérant approprié avant et pendant le travail pour s'assurer que le technicien est conscient des atmosphères potentiellement inflammables. Assurez-vous que l'équipement de détection des fuites utilisé convient aux fluides frigorigènes inflammables, c'est-à-dire qu'il ne produit pas d'étincelles, est correctement scellé et de sécurité intrinsèque.
- 5. Présence d'extincteur:** Si des travaux à chaud doivent être effectués sur l'équipement de réfrigération ou sur toute pièce associée, un équipement d'extinction d'incendie approprié doit être disponible. Avoir un extincteur à poudre sèche ou au CO<sub>2</sub> adjacent à la zone de travail.

**SAVE THESE INSTRUCTIONS!**



## Consignes de sécurité importantes

LIRE ET SUIVRE TOUTES LES INSTRUCTIONS DE SÉCURITÉ



6. **Aucune source d'inflammation:** Aucune personne effectuant des travaux en rapport avec un système de réfrigération impliquant l'exposition de tuyauteries contenant ou ayant contenu un réfrigérant inflammable ne doit utiliser une source d'inflammation de manière à entraîner un risque d'incendie ou d'explosion. Toutes les sources d'inflammation possibles, y compris le tabagisme, doivent être suffisamment éloignées du lieu d'installation, de réparation, de retrait et d'élimination, pendant lesquelles un réfrigérant inflammable peut éventuellement être rejeté dans l'espace environnant. Avant le début des travaux, la zone autour de l'équipement doit être inspectée pour s'assurer qu'il n'y a pas de danger d'inflammabilité ou de risque d'inflammation. Aucun signe de fumer ne doit être affiché.
7. **Zone ventilée:** Assurez-vous que la zone est à l'air libre ou qu'elle est correctement ventilée avant de pénétrer dans le système ou d'effectuer des travaux à chaud. Une certaine ventilation doit être maintenue pendant la durée des travaux. La ventilation doit disperser en toute sécurité tout fluide réfrigérant libéré et de préférence l'expulser de l'extérieur vers l'atmosphère.
8. **Contrôles à l'équipement de réfrigération:** Lorsque des composants électriques sont remplacés, ils doivent être adaptés à l'usage prévu et aux spécifications appropriées. Respectez à tout moment les directives du fabricant en matière d'entretien et de maintenance. En cas de doute, consultez le service technique du fabricant.

Les contrôles suivants doivent être appliqués aux installations utilisant des réfrigérants inflammables:

- La taille de la charge est conforme à la taille de la pièce dans laquelle les pièces contenant le réfrigérant sont installées.
  - Les machines de ventilation et les sorties fonctionnent de manière adéquate et ne sont pas obstruées.
  - Si un circuit de réfrigération indirect est utilisé, le circuit secondaire doit être vérifié pour la présence de réfrigérant.
  - Le marquage sur l'équipement continue d'être visible et lisible. Les marques et les signes qui deviennent illisibles doivent être corrigés.
  - Les tuyaux ou composants de réfrigération sont installés dans une position où ils ne risquent pas d'être exposés à une substance susceptible de corroder les composants contenant du réfrigérant, à moins que les composants ne soient construits avec des matériaux intrinsèquement résistants à la corrosion ou protégés de manière adéquate.
9. **Contrôles aux appareils électriques:** La réparation et la maintenance des composants électriques doivent inclure les contrôles de sécurité initiaux et les procédures d'inspection des composants. S'il existe un défaut susceptible de compromettre la sécurité, aucune alimentation électrique ne doit être connectée au circuit jusqu'à ce que le problème soit résolu. Si le défaut ne peut pas être corrigé immédiatement mais qu'il est nécessaire de poursuivre le fonctionnement, une solution temporaire adéquate doit être utilisée. Cela doit être signalé au propriétaire de l'équipement afin que toutes les parties soient informées.

Les contrôles de sécurité initiaux doivent inclure:

- Que les condensateurs sont déchargés. Ceci doit être fait de manière sûre pour éviter la possibilité d'étincelles.
- Qu'aucun composant ni câblage électrique sous tension ne soit exposé pendant le chargement, la récupération ou la purge du système.
- Qu'il existe une continuité de la mise à la terre.

**GARDEZ CES INSTRUCTIONS!**



## Consignes de sécurité importantes

### LIRE ET SUIVRE TOUTES LES INSTRUCTIONS DE SÉCURITÉ



#### Réparation de composants scellés

1. Lors de la réparation de composants scellés, toutes les alimentations électriques doivent être débranchées de l'équipement utilisé avant toute dépose de couvercles scellés, etc. S'il est absolument nécessaire de prévoir une alimentation électrique de l'équipement pendant l'entretien, une détection des fuites fonctionnant en permanence doit être situé au point le plus critique pour avertir d'une situation potentiellement dangereuse.
2. Afin de garantir qu'en manipulant des composants électriques, le boîtier ne soit pas modifié de telle sorte que le niveau de protection soit affecté, une attention particulière doit être accordée aux éléments suivants:
  - Dommages aux câbles, nombre excessif de connexions, bornes non conformes aux spécifications d'origine, dommages aux joints, mauvais montage des presse-étoupes, etc.
  - Assurez-vous que l'appareil est bien monté.
  - Assurez-vous que les joints ou les matériaux d'étanchéité ne se sont pas dégradés de telle sorte qu'ils ne servent plus à empêcher la pénétration d'atmosphères inflammables. Les pièces de rechange doivent être conformes aux spécifications du fabricant.

Remarque: l'utilisation d'un produit d'étanchéité à base de silicone peut nuire à l'efficacité de certains types d'équipement de détection de fuites. Les composants de sécurité intrinsèque ne doivent pas nécessairement être isolés avant de travailler dessus.

#### Réparation de composants à sécurité intrinsèque

N'appliquez aucune charge inductive ou capacitive permanente sur le circuit sans vous assurer que cela ne dépassera pas la tension et le courant autorisés pour l'équipement utilisé. Les composants à sécurité intrinsèque sont les seuls types sur lesquels on peut travailler tout en vivant dans une atmosphère inflammable. L'appareil d'essai doit avoir la cote correcte. Remplacez les composants uniquement par des pièces spécifiées par le fabricant. D'autres pièces peuvent provoquer l'inflammation de réfrigérant dans l'atmosphère par une fuite.

#### Le câblage

Vérifiez que le câblage ne sera pas soumis à l'usure, à la corrosion, à une pression excessive, aux vibrations, aux arêtes vives ou à tout autre effet néfaste sur l'environnement. La vérification doit également prendre en compte les effets du vieillissement ou des vibrations continues provenant de sources telles que les compresseurs ou les ventilateurs.

#### Détection de réfrigérants inflammables

En aucun cas, des sources d'inflammation potentielles ne doivent être utilisées pour rechercher ou détecter des fuites de réfrigérant. Une lampe à incandescence ou tout autre détecteur utilisant une flamme nue ne doit pas être utilisé.

**GARDEZ CES INSTRUCTIONS!**



## Consignes de sécurité importantes

### LIRE ET SUIVRE TOUTES LES INSTRUCTIONS DE SÉCURITÉ



#### Méthodes de détection de fuite

Les méthodes de détection des fuites suivantes sont jugées acceptables pour les systèmes contenant des réfrigérants inflammables:

- Des détecteurs de fuites électroniques doivent être utilisés pour détecter les réfrigérants inflammables, mais la sensibilité peut ne pas être adéquate ou nécessiter un réétalonnage. L'équipement de détection doit être étalonné dans une zone sans réfrigérant. Assurez-vous que le détecteur n'est pas une source potentielle d'inflammation et qu'il convient au réfrigérant utilisé.
- L'équipement de détection de fuites doit être réglé sur un pourcentage de la LF du réfrigérant et doit être calibré avec le réfrigérant utilisé et le pourcentage de gaz approprié (25% maximum) est confirmé.
- Les fluides de détection des fuites peuvent être utilisés avec la plupart des réfrigérants, mais l'utilisation de détergents contenant du chlore doit être évitée car le chlore peut réagir avec le réfrigérant et corroder le cuivre ou les tuyauteries.
- Si une fuite est suspectée, toutes les flammes nues doivent être supprimées ou éteintes.
- Si une fuite de réfrigérant nécessitant un brasage est détectée, tout le réfrigérant doit être récupéré du système ou isolé au moyen de vannes d'arrêt dans une partie du système éloignée de la fuite. L'azote libre d'oxygène (OFN) doit ensuite être purgé à travers le système avant et pendant le processus de brasage.

#### Enlèvement et évacuation

Lorsque vous pénétrez dans le circuit de fluide frigorigène pour effectuer des réparations ou à toute autre fin, vous devez utiliser des procédures classiques. Cependant, il est important que la meilleure pratique soit suivie car l'inflammabilité est une considération. Les procédures suivantes doivent être respectées:

- Retirer le réfrigérant.
- Purger le circuit avec du gaz inerte.
- Évacuer.
- Purger à nouveau avec un gaz inerte.
- Ouvrir le circuit en coupant ou en soudant.
- La charge de réfrigérant doit être récupérée dans les bonnes bouteilles de récupération. Le système doit être rincé avec OFN pour sécuriser l'unité. Ce processus peut avoir besoin d'être répété plusieurs fois. L'air comprimé ou l'oxygène ne doit pas être utilisé pour cette tâche.
- Le rinçage doit être réalisé en rompant le vide dans le système avec OFN et en continuant à se remplir jusqu'à atteindre la pression de travail, puis en relâchant dans l'atmosphère et en tirant finalement vers le vide. Ce processus doit être répété jusqu'à ce qu'il n'y ait plus de réfrigérant dans le système. Lorsque la dernière charge OFN est utilisée, le système doit être purgé à la pression atmosphérique pour permettre le travail. Cette opération est absolument essentielle si des opérations de brasage sur la tuyauterie doivent avoir lieu.
- Assurez-vous que la sortie de la pompe à vide ne se trouve pas à proximité de sources d'inflammation et qu'il existe une ventilation.

**GARDEZ CES INSTRUCTIONS!**



## Consignes de sécurité importantes

### LIRE ET SUIVRE TOUTES LES INSTRUCTIONS DE SÉCURITÉ



### Procédures de charge

Outre les procédures de chargement classiques, les exigences suivantes doivent être respectées:

- Assurez-vous que les différents réfrigérants ne soient pas contaminés lors de l'utilisation d'un équipement de charge. Les tuyaux ou les conduites doivent être aussi courts que possible pour minimiser la quantité de réfrigérant qu'ils contiennent.
- Les bouteilles doivent être maintenues debout.
- Assurez-vous que le système de réfrigération est mis à la terre avant de le charger avec du réfrigérant.
- Étiquetez le système lorsque le chargement est terminé, s'il ne l'est pas déjà.
- Un soin extrême doit être pris pour ne pas trop remplir le système de réfrigération.
- Avant de recharger le système, il doit être testé sous pression avec OFN. Le système doit être soumis à un test d'étanchéité à la fin du chargement mais avant la mise en service. Un contrôle d'étanchéité doit être effectué avant de quitter le site.

### Déclassement

Avant d'effectuer cette procédure, il est essentiel que le technicien connaisse parfaitement l'équipement dans tous ses détails. Il est recommandé, conformément aux bonnes pratiques, que tous les réfrigérants soient récupérés en toute sécurité. Avant l'exécution de la tâche, un échantillon d'huile et de réfrigérant doit être prélevé au cas où une analyse serait nécessaire avant de réutiliser le réfrigérant récupéré. Il est essentiel que l'alimentation électrique soit disponible avant le début de la tâche.

- A. Familiarisez-vous avec l'équipement et son fonctionnement.
- B. Isoler le système électriquement.
- C. Avant de tenter la procédure, assurez-vous que:
  - Un équipement de manutention mécanique est disponible si nécessaire pour la manipulation des bouteilles de réfrigérant.
  - Tous les équipements de protection individuelle sont disponibles et utilisés correctement.
  - Le processus de récupération est supervisé à tout moment par une personne compétente.
  - L'équipement de récupération et les bouteilles sont conformes aux normes appropriées.
- D. Pomper le système de réfrigérant, si possible.
- E. Si le vide n'est pas possible, créez un collecteur afin que le réfrigérant puisse être éliminé de différentes parties du système.
- F. Assurez-vous que le cylindre est situé sur la balance avant la récupération.
- G. Démarrez la machine de récupération et utilisez-la conformément aux instructions du fabricant.
- H. Ne pas trop remplir les bouteilles. Pas plus de 80% de volume de charge liquide.
- I. Ne dépassez pas la pression de service maximale du cylindre, même temporairement.
- J. Lorsque les bouteilles ont été remplies correctement et que le processus est terminé, assurez-vous que les bouteilles et l'équipement sont retirés du site rapidement et que toutes les vannes d'isolement de l'équipement sont fermées.
- K. Le réfrigérant récupéré ne doit pas être chargé dans un autre système de réfrigération à moins d'avoir été nettoyé et vérifié.

**GARDEZ CES INSTRUCTIONS!**



## Consignes de sécurité importantes

### LIRE ET SUIVRE TOUTES LES INSTRUCTIONS DE SÉCURITÉ



#### Étiquetage

L'équipement doit porter une étiquette indiquant qu'il a été mis hors service et vidé du réfrigérant. L'étiquette doit être datée et signée. Assurez-vous qu'il y a des étiquettes sur l'équipement indiquant que celui-ci contient du réfrigérant inflammable.

#### Récupération

Lorsque vous retirez du fluide frigorigène d'un système, que ce soit pour un entretien ou une mise hors service, il est recommandé de procéder à l'élimination de tous les fluides frigorigènes en toute sécurité.

Lors du transfert du réfrigérant dans les bouteilles, assurez-vous que seul le récupérateur approprié récupère les bouteilles. Assurez-vous que le nombre correct de cylindres permettant de contenir la charge totale du système est disponible. Tous les cylindres à utiliser sont conçus pour le réfrigérant récupéré et étiquetés pour ce réfrigérant, c'est-à-dire des cylindres spéciaux pour la récupération du réfrigérant. Les bouteilles doivent être équipées d'une soupape de surpression et des vannes d'arrêt associées en bon état de fonctionnement. Les bouteilles de récupération vides sont évacuées et, si possible, refroidies avant la récupération.

L'équipement de récupération doit être en bon état de fonctionnement, avec un ensemble d'instructions concernant l'équipement disponible et doit être adapté à la récupération des réfrigérants inflammables. En outre, un jeu de balances étalonnées doit être disponible et en bon état de fonctionnement. Les flexibles doivent être complets avec des raccords débranchés sans fuite et en bon état. Avant d'utiliser la machine de récupération, vérifiez qu'elle est en bon état de fonctionnement, correctement entretenue et que tous les composants électriques associés sont scellés pour éviter toute inflammation en cas de fuite du réfrigérant. Consultez le fabricant en cas de doute.

Le fluide frigorigène récupéré doit être renvoyé au fournisseur de fluide frigorigène dans la bouteille de récupération appropriée et la note de transfert de déchets correspondante doit être préparée. Ne mélangez pas les réfrigérants dans les unités de récupération et en particulier dans les bouteilles. Si des compresseurs ou des huiles de compresseurs doivent être éliminés, assurez-vous qu'ils ont été évacués à un niveau acceptable pour vous assurer que le réfrigérant inflammable ne reste pas dans le lubrifiant. Le processus d'évacuation doit être effectué avant de renvoyer le compresseur aux fournisseurs. Seul un chauffage électrique du corps du compresseur doit être utilisé pour accélérer ce processus. Lorsque l'huile est vidangée d'un système, elle doit être effectuée en toute sécurité.

**GARDEZ CES INSTRUCTIONS!**

# INSTRUCTIONS D'INSTALLATION

## EMPLACEMENT

Ce climatiseur est conçu pour s'adapter à l'intérieur d'une fenêtre standard à guillotine double largeur d'ouverture de 22 à 36" (55,9 à 91,4 cm).

Le châssis inférieur doit s'ouvrir suffisamment pour permettre une ouverture verticale claire de 13,75" (35 cm).

Ce climatiseur n'est pas conçu pour les fenêtres verticales de type coulissant ou pour une installation «à travers le mur».

Assurez-vous que la fenêtre et le cadre sont structurellement solides et exempts de bois sec ou pourri.

Installez le climatiseur sur un côté du bâtiment qui favorise plus d'ombre que la lumière du soleil. Si l'appareil doit être exposé à la lumière directe du soleil, il est conseillé de prévoir un auvent d'ombrage pour assurer un fonctionnement efficace.

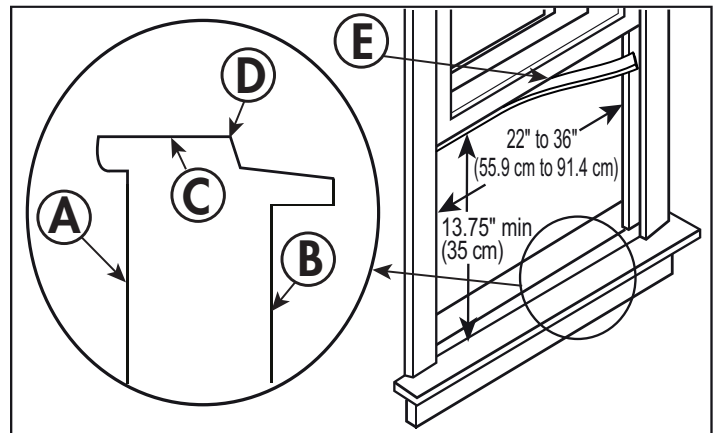
N'installez pas l'appareil là où une fuite de gaz combustible est suspectée.

Ce climatiseur est conçu pour évaporer la condensation dans des conditions normales. Dans des conditions extrêmement chaudes ou humides, un excès de condensation peut déborder vers l'extérieur. Le climatiseur doit être installé là où la condensation ne peut pas s'égoutter sur les piétons ou les propriétés voisines.

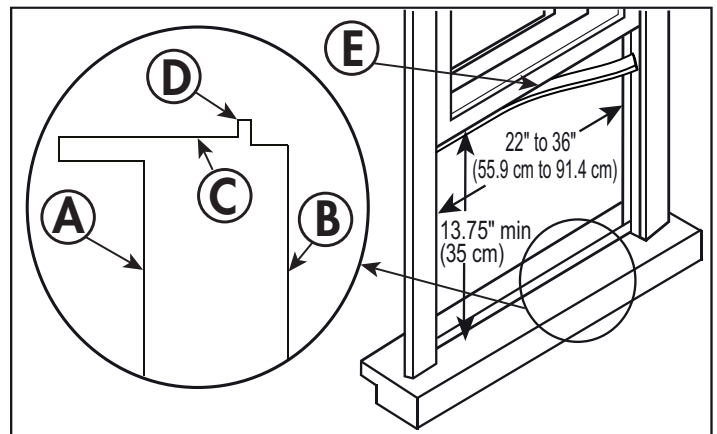
Laissez un espace suffisant autour de l'appareil pour permettre une circulation d'air suffisante. L'arrière de l'appareil doit être à l'extérieur, il ne doit pas être dans un garage ou une autre pièce. Gardez l'appareil éloigné des obstacles et à au moins 30" au-dessus du sol. Assurez-vous que les rideaux et autres obstructions ne bloquent pas la circulation de l'air.

- A. Mur intérieur
- B. Mur extérieur
- C. Appui de fenêtre intérieur
- D. Décalage
- E. Mousse d'étanchéité

## Fenêtres en bois



## Fenêtres recouvertes de vinyle



# INSTRUCTIONS D'INSTALLATION

## OUTILS REQUIS

- Tournevis cruciforme
- Tournevis à tête plate
- Crayon
- Mètre ruban
- Niveau de menuisier
- Perceuse et mèche de 1/8 po

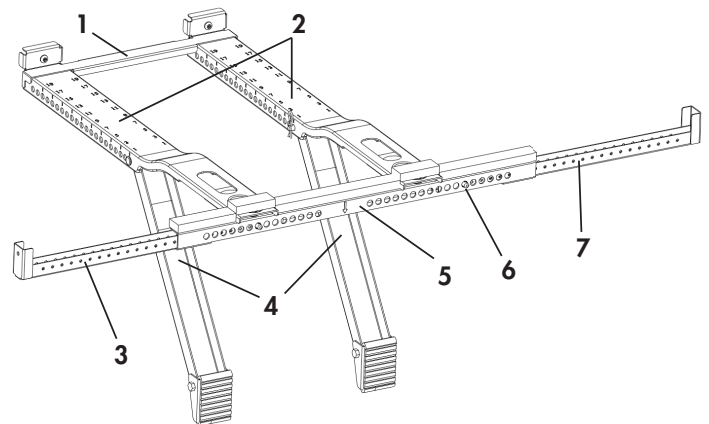
**Remarque:** conservez le carton d'expédition et les matériaux d'emballage pour un stockage ou un transport ultérieur. Veuillez vérifier le contenu des sacs d'accessoires par rapport à la liste de contrôle ci-dessous avant l'installation.

## ACCESSOIRES INCLUS

Vis de type B 1/2" (x2) *	
Vis 1/4" type B (x2) *	
Vis de 1" type A (x2) *	
Vis de type A 1/2" (x3) *	
Support de fixation	
Bras d'extension droit	
Bras d'extension droit (court)	
Broche de support principale (x2) *	
Goupille fendue (x2) *	
Support de fenêtre ouvert à droite	
Support de fenêtre ouvert à gauche	
Mousse de bras latéral (x2)	
Verrou de châssis de fenêtre	
Mousse de châssis de fenêtre	
Mousse d'étanchéité de fenêtre	
Mousse d'étanchéité du support	
Mousse de bras latéral supplémentaire	

## DÉTAILS DU SUPPORT

1. Croisillon arrière
2. Support principal
3. Bras d'extension gauche
4. Bras de support inclinés
5. Support horizontal
6. Goupille à ressort
7. Bras d'extension droit

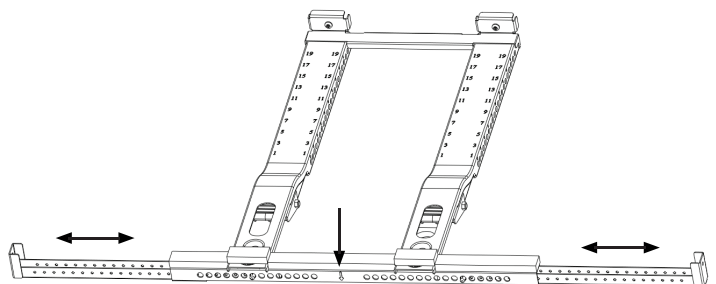


## PRÉPARER LE SUPPORT

1. Trouvez le centre du rebord de la fenêtre et marquez-le légèrement avec un crayon.
2. Mesurez la largeur de la fenêtre.
3. Ajustez le bras d'extension gauche, puis installez et ajustez le bras d'extension droit à la largeur correcte en appuyant sur les goupilles à ressort. Notez que le support peut être légèrement décalé vers la gauche du centre lorsqu'il est placé dans la fenêtre.
4. Appliquez la mousse d'étanchéité du support au bas des bras d'extension gauche et droit..

Important :

- Les fenêtres d'une largeur comprise entre 26 et 36 po doivent utiliser le bras d'extension droit. Les fenêtres d'une largeur comprise entre 26 et 26 po doivent utiliser le bras d'extension droit court



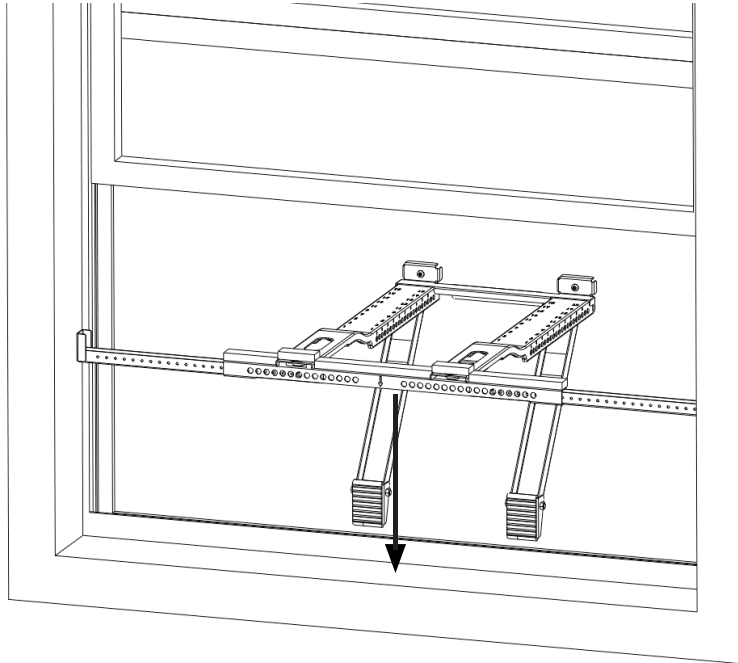
\* Désigne le matériel supplémentaire fourni dans un sac séparé.



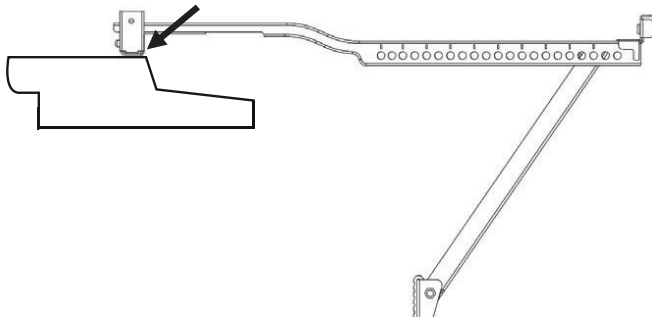
# INSTRUCTIONS D'UTILISATION

## INSTALLER LE SUPPORT

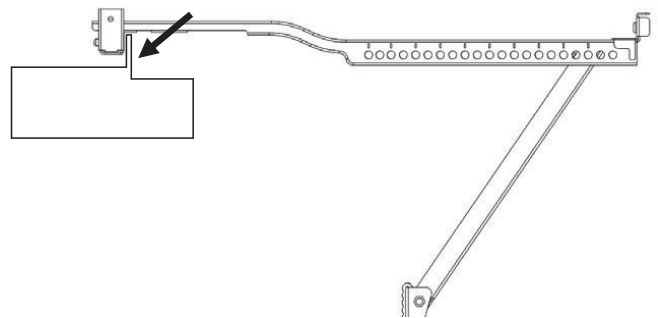
Installez le support de support dans l'ouverture de la fenêtre. Assurez-vous que le support horizontal et les bras d'extension sont situés du côté intérieur de la fenêtre.



### Appui de fenêtre en bois

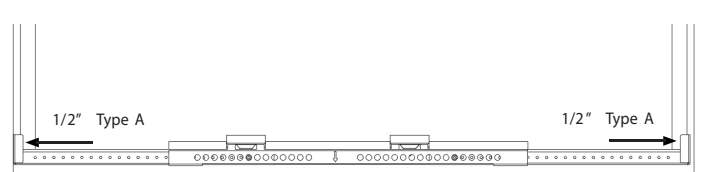
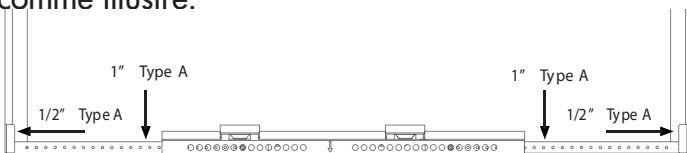


### Appui de fenêtre recouvert de vinyle



Pour les appuis de fenêtre en bois ou les appuis de fenêtre plats, fixez le support au rebord de fenêtre en perçant des avant-trous de 1/8 po et en installant les vis de type A de 1/2 po et 1 po comme illustré.

Pour les appuis de fenêtre revêtus de vinyle, fixez le support au rebord de la fenêtre en perçant des avant-trous de 1/8 po et en installant les vis de type A de 1/2 po comme illustré.

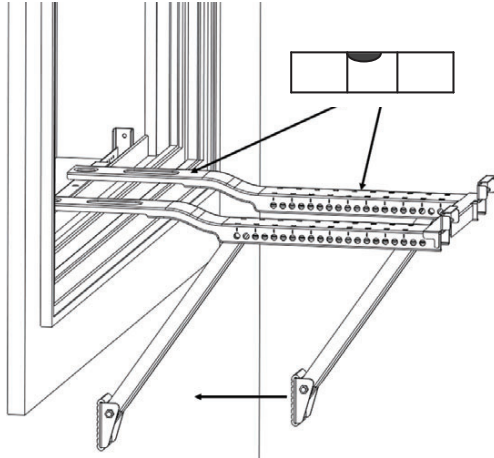


# INSTRUCTIONS D'INSTALLATION

## Bras de support inclinés

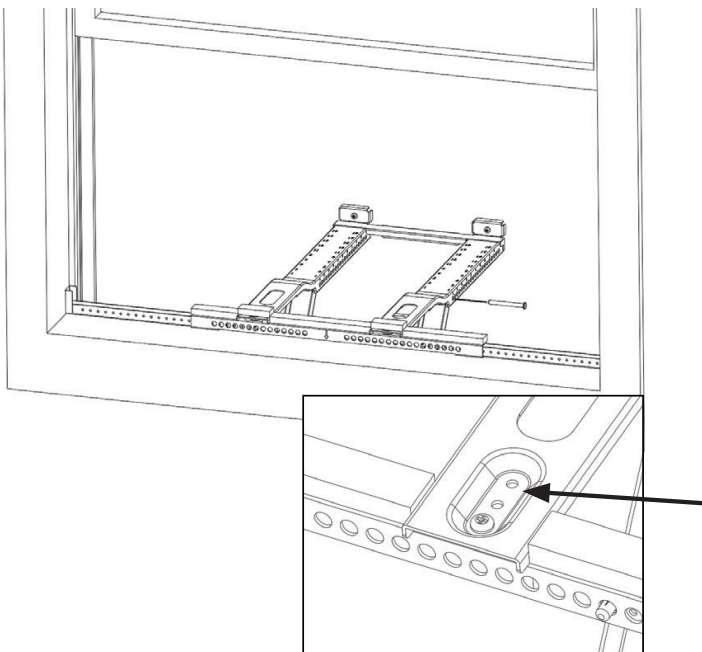
Déplacez les bras de support inclinés vers le mur extérieur jusqu'à ce que les pieds touchent le mur.

Placez le niveau sur le support de support et ajustez les bras de support de sorte qu'il soit incliné de 1/4 de bulle vers le bas vers l'extérieur. La bulle de niveau doit apparaître comme indiqué.

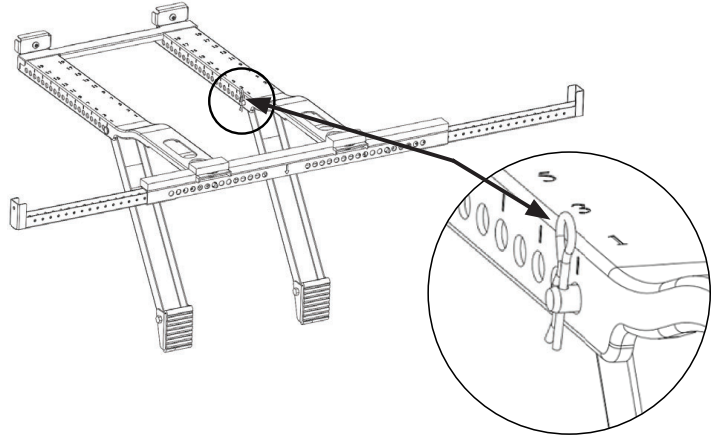


Insérez la broche de support principale dans les trous du support de support et des bras de support inclinés. Assurez-vous que les broches des deux côtés sont dans le même trou numéroté.

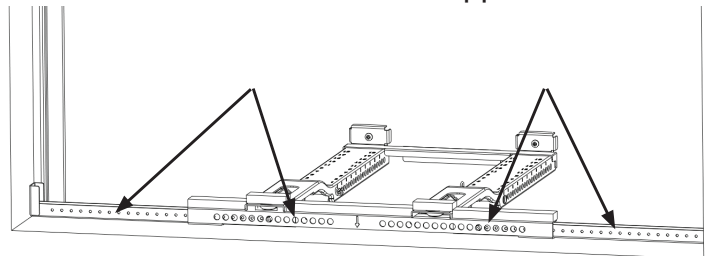
Si un ajustement supplémentaire est nécessaire, utilisez des trous alternés où les supports principaux se fixent au support horizontal.



Vérifiez à nouveau le niveau et assurez-vous que le support est bien en place. Après avoir effectué les ajustements nécessaires, insérez les goupilles fendues dans les goupilles de support principales.



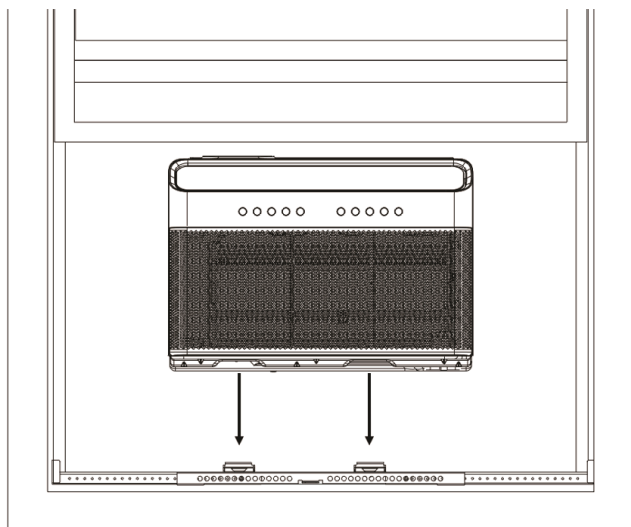
Si nécessaire, couvrez les trous à l'avant du support avec la mousse d'étanchéité du support.



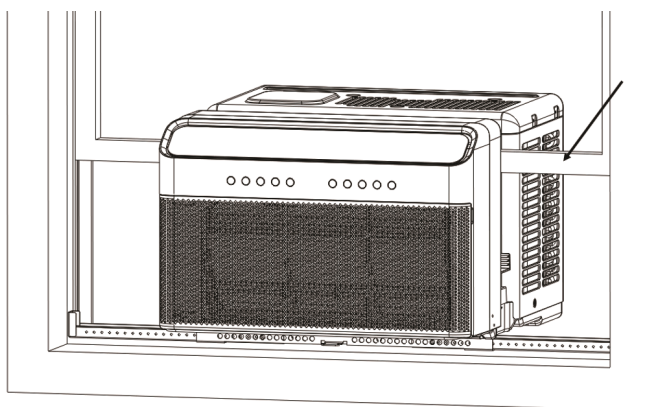
# INSTRUCTIONS D'UTILISATION

## INSTALLER LE CLIMATISEUR

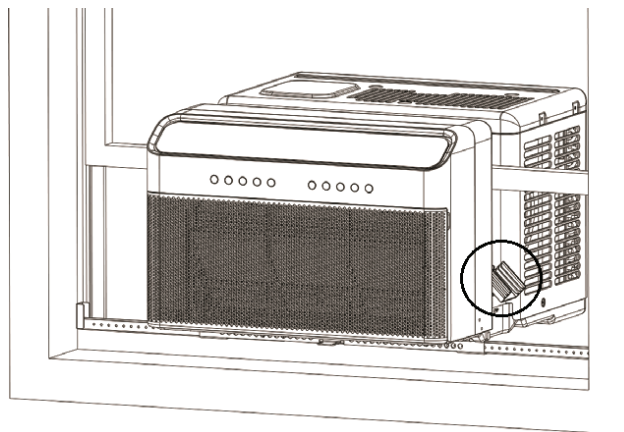
Réglez le climatiseur sur le dessus du support. Assurez-vous que les rainures au bas du climatiseur sont alignées avec le support de support. À l'aide d'un niveau, vérifiez la bonne inclinaison vers l'extérieur.



Tirez la fenêtre vers le bas dans la fente du climatiseur pour la maintenir stable, mais ne la fermez pas encore complètement.

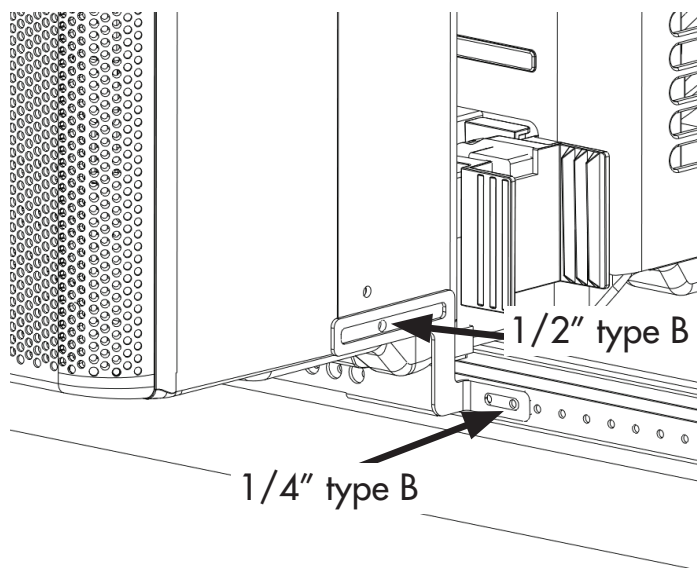


Rabattez les deux charnières des bras latéraux.



Installez les supports de fenêtre ouverts à l'aide des vis fournies, comme illustré.

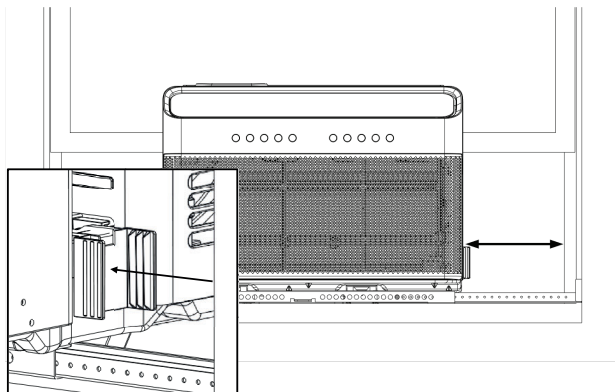
**Avertissement:** Ne pas installer les supports de fenêtre ouverts peut entraîner des blessures ou des dommages matériels.



# INSTRUCTIONS D'INSTALLATION

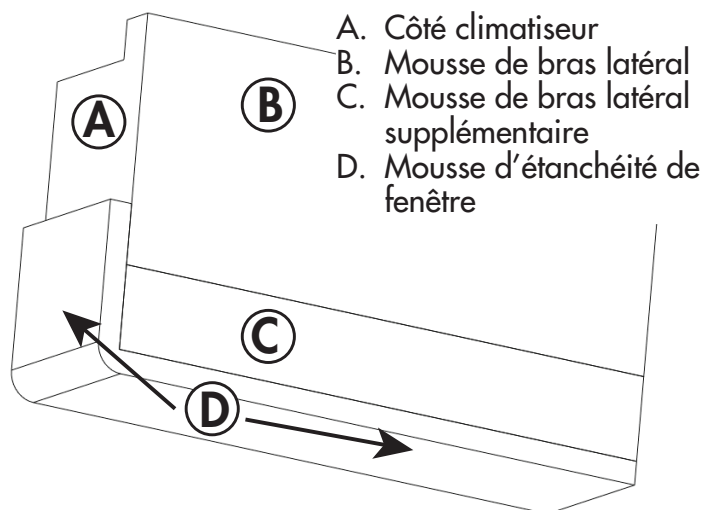
## INSTALLATION DE MOUSSE

Mesurez la distance entre la charnière du bras latéral et la partie la plus proche du cadre de la fenêtre du côté du bras latéral. Ajoutez 1/4" à cette distance et coupez la mousse du bras latéral à la bonne longueur.

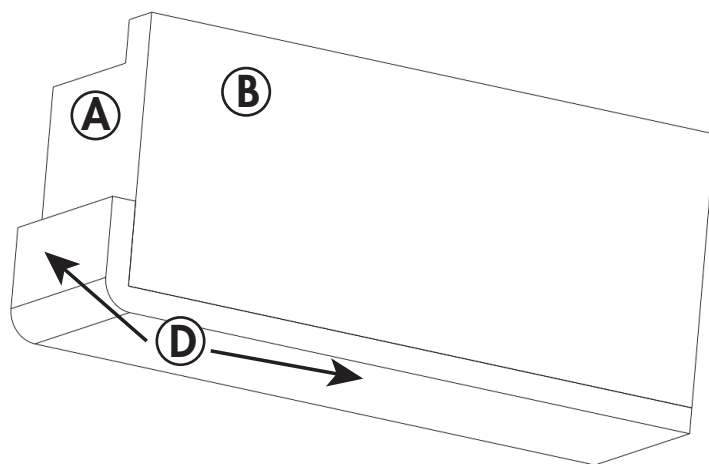


Appliquez la mousse d'étanchéité de fenêtre sur la mousse du bras latéral comme illustré. Notez que la mousse d'étanchéité de fenêtre se fixe sur le côté à côté du climatiseur.

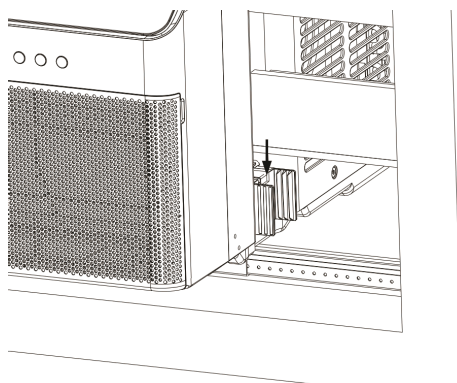
### Appui de fenêtre en bois



### Appui de fenêtre recouvert de vinyle



Insérez la mousse du bras latéral dans la charnière du bras latéral jusqu'à ce que l'avant supérieur du bras latéral affleure le haut de la charnière. Terminez l'installation de la mousse latérale des deux côtés de l'unité.

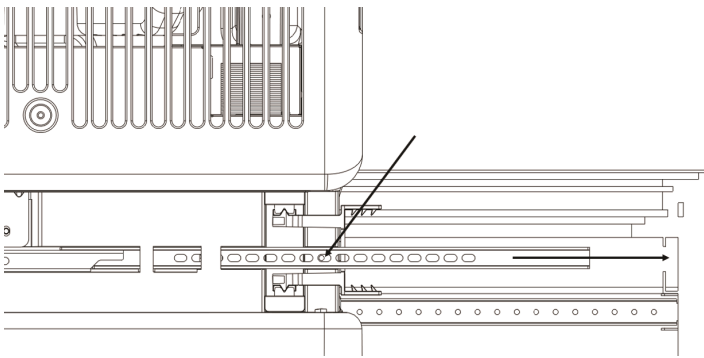


# INSTRUCTIONS D'UTILISATION

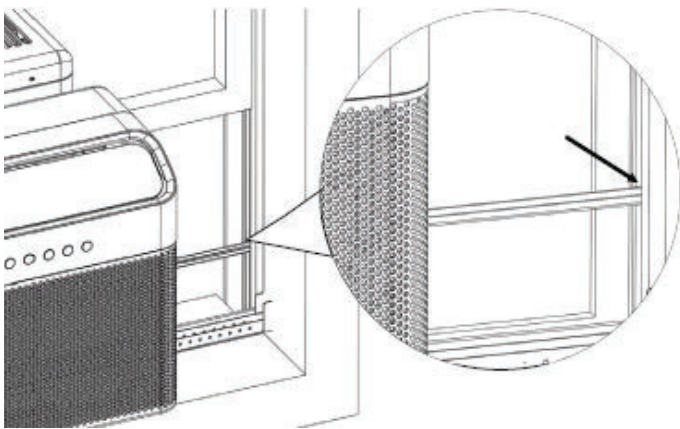
## SUPPORT ANTI-BASCULE

Les supports anti-bascule doivent être prolongés dans l'ouverture du rail de fenêtre jusqu'à. Retirez la vis du support anti-bascule, étendez-la aussi loin que possible sur le côté de la fenêtre, puis fixez-la avec la même vis.

**Avertissement:** Les supports anti-bascule doivent être prolongés dans l'ouverture du rail de la fenêtre. Le fait de ne pas utiliser les supports anti-bascule peut entraîner des blessures graves ou des dommages.



Voir ci-dessous pour un exemple de ce à quoi le support anti-bascule devrait ressembler lorsqu'il est correctement installé. Notez que la mousse du bras latéral a été retirée de ces images à des fins d'illustration.

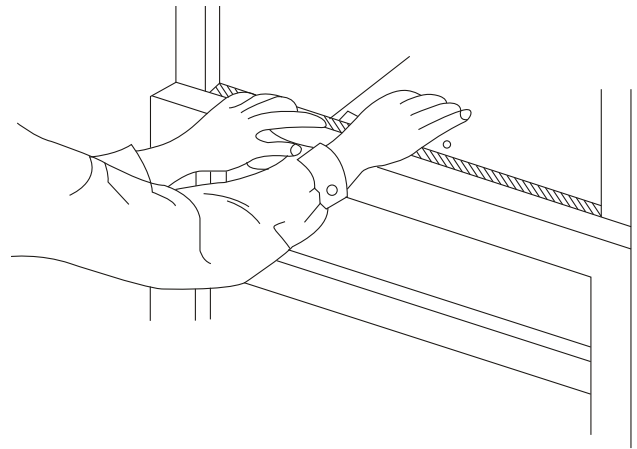


## MOUSSE D'ÉTANCHÉITÉ DE FENÊTRE

Installez une bande de mousse d'étanchéité pour fenêtre au bas du châssis inférieur pour sceller les petits espaces entre la fenêtre et le climatiseur. Assurez-vous que la fenêtre est complètement fermée, puis vérifiez les espaces. Remplissez les espaces avec la mousse restante au besoin.

Déployez les verrous de fenêtre intégrés, situés dans le profilé en U, jusqu'à ce qu'ils touchent la fenêtre.

Coupez la mousse du châssis de fenêtre et insérez-la dans l'espace entre les châssis supérieur et inférieur.



## SERRURE DE FENÊTRE

Pour plus de sécurité, installez le verrou de châssis en option. Fixez le verrou de châssis en place à l'aide de vis de type A de 1/2", comme illustré.



# INSTRUCTIONS D'UTILISATION

## PANNEAU DE CONTRÔLE

1. **CONNEXION SANS FIL** : appuyez pour activer la fonction de connexion sans fil.
2. **MINUTERIE** : appuyez pour activer la fonction de minuterie.
3. **ECO** : appuyez pour activer la fonction ECO.
4. **MODE** : appuyez pour régler le mode souhaité.
5. **BOUTONS DE CONTRÔLE DE LA TEMPÉRATURE** : appuyez pour changer le réglage de la température. Appuyez et maintenez les boutons de contrôle de température en même temps pendant 3 secondes pour changer l'échelle de température affichée. La température peut être réglée entre 16 et 30°C (60 et 86°F).
6. **VENTILATEUR** : appuyez pour régler la vitesse du ventilateur souhaitée.
7. **SOMMEIL** : appuyez sur pour activer la fonction de sommeil.
8. **OSCILLER** : appuyez pour activer la fonction d'oscillation automatique. Appuyez à nouveau lorsque le volet atteint l'angle souhaité. Appuyez et maintenez le bouton pivotant pendant 3 secondes pour réinitialiser le filtre après le nettoyage.
9. **MARCHE / ARRÊT** : appuyez pour allumer ou éteindre l'appareil.



## MODE

Appuyez sur le bouton de mode pour choisir le mode souhaité.

### Auto

Le mode automatique réglera automatiquement le fonctionnement du refroidissement ou du ventilateur uniquement en fonction de la température actuelle de la pièce. La vitesse du ventilateur ne peut pas être réglée dans ce mode.

### Refroidir

Choisissez le mode de refroidissement pour régler la fonction de refroidissement. Utilisez les boutons de contrôle de la température pour choisir la température désirée. La vitesse du ventilateur peut être réglée en appuyant sur le bouton du ventilateur.

### Sécher

Choisissez le mode de séchage pour régler la fonction de déshumidification. L'eau condensée s'écoulera par l'arrière de l'unité. La vitesse du ventilateur ne peut pas être réglée dans ce mode.

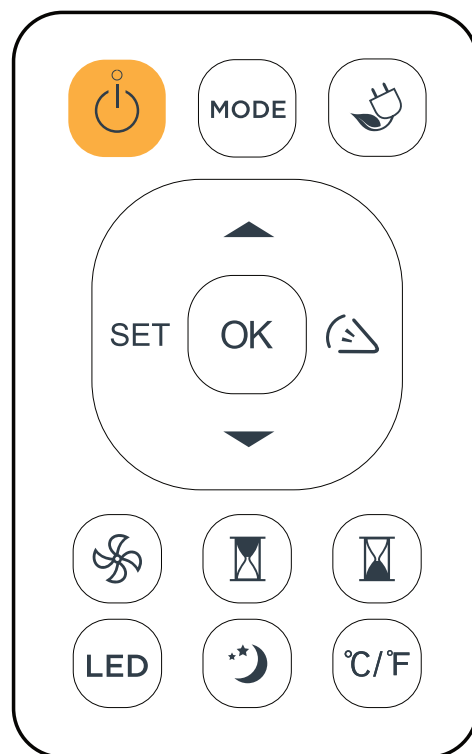
### Ventilateur

Le mode ventilateur fera fonctionner le ventilateur interne sans activer la fonction de refroidissement. La vitesse du ventilateur peut être réglée en appuyant sur le bouton du ventilateur.

# INSTRUCTIONS D'UTILISATION

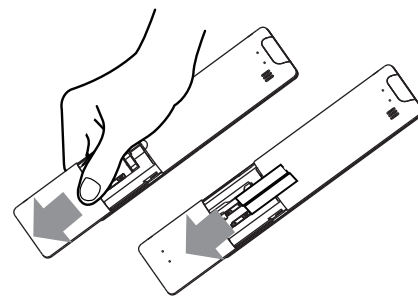
## TÉLÉCOMMANDE

1. **MARCHE / ARRÊT** : appuyez pour allumer ou éteindre l'appareil.
2. **MODE** : appuyez pour régler le mode souhaité.
3. **ECO** : appuyez pour activer la fonction ECO.
4. **CONNEXION SANS FIL** : appuyez pour activer la fonction de connexion sans fil.
5. **BOUTONS DE CONTRÔLE DE LA TEMPÉRATURE** : appuyez pour changer le réglage de la température.
6. **OSCILLER** : appuyez pour activer la fonction d'oscillation automatique. Appuyez à nouveau lorsque le volet atteint l'angle souhaité.
7. **VENTILATEUR** : appuyez pour régler la vitesse du ventilateur souhaitée.
8. **MINUTERIE DE MISE EN MARCHÉ AUTOMATIQUE** : appuyez pour activer la minuterie de mise en marche automatique.
9. **MINUTERIE D'ARRÊT AUTOMATIQUE** : appuyez pour activer la minuterie d'arrêt automatique.
10. **LED** : appuyez sur pour éteindre l'affichage de l'appareil.
11. **SOMMEIL** : appuyez sur pour activer la fonction de sommeil.
12. **C°/F°** : appuyez sur pour modifier l'échelle de température affichée.



## REPLACEMENT DES PILES DE LA TÉLÉCOMMANDE

1. Faites glisser le couvercle arrière de la télécommande vers le bas pour exposer le compartiment des piles.
2. Insérez de nouvelles piles. Faites correspondre les (+) et (-) des piles avec les marques du compartiment.
3. Remettez le couvercle de la batterie en place.



## Remarques importantes

- La télécommande doit être utilisée à moins de 8 mètres de l'appareil.
- L'appareil émettra un bip lorsqu'un signal est reçu de la télécommande.
- Les rideaux et la lumière directe du soleil peuvent interférer avec le signal de la télécommande.
- Retirez les piles si la télécommande ne sera pas utilisée pendant plus de 2 mois.
- Ne mélangez pas des piles anciennes et neuves ou des piles de types différents.
- Ne jetez pas les batteries avec les déchets municipaux non triés. Reportez-vous aux lois locales pour une mise au rebut appropriée des batteries.

# INSTRUCTIONS D'UTILISATION

## RÈGLEMENTS DE LA TÉLÉCOMMANDE

Cet équipement a été testé et déclaré conforme aux limites d'un appareil numérique de classe B, conformément à la partie 15 des règles FCC. Ces limites sont conçues pour fournir une protection raisonnable contre les interférences nuisibles dans une installation résidentielle. Cet équipement génère, utilise et peut émettre de l'énergie radiofréquence et, s'il n'est pas installé et utilisé conformément aux instructions, peut provoquer des interférences nuisibles aux communications radio. Cependant, il n'y a aucune garantie que des interférences ne se produiront pas dans une installation particulière.

Si cet équipement provoque des interférences nuisibles à la réception de la radio ou de la télévision, ce qui peut être déterminé en éteignant et en rallumant l'équipement, l'utilisateur est encouragé à essayer de corriger les interférences par une ou plusieurs des mesures suivantes:

1. Réorienter ou déplacer l'antenne de réception
2. Augmentez la séparation entre l'équipement et le récepteur
3. Connectez l'équipement à une prise sur un circuit différent de celui sur lequel le récepteur est connecté
4. Consulter le revendeur ou un technicien radio / TV expérimenté pour obtenir de l'aide

Les changements ou modifications non approuvés par la partie responsable de la conformité FCC et Industrie Canada pourraient annuler le droit de l'utilisateur à faire fonctionner l'équipement. Cet appareil est conforme à la partie 15 des règles FCC et aux normes RSS sans licence.

Son fonctionnement est soumis aux conditions suivantes:

1. Cet appareil ne doit pas provoquer d'interférences.
2. Cet appareil doit accepter toutes les interférences reçues, y compris les interférences pouvant entraîner un fonctionnement indésirable.

Cet équipement est conforme aux limites d'exposition aux rayonnements FCC RF et IC RSS-102 définies pour un environnement non contrôlé. Cet équipement doit être installé et utilisé à une distance minimale de 20 cm (8 pouces) entre le radiateur et votre corps.

Cet appareil est conforme à la norme RSS-247 d'Industrie Canada. Son fonctionnement est soumis à la condition que cet appareil ne provoque pas d'interférences nuisibles.

Cet appareil est conforme à la norme canadienne CAN ICES-3 (B) / NMB-3 (B)

Cet appareil contient:

FCC ID: 24951-MZNA19

IC: 12575A-MDNA19



# INSTRUCTIONS D'UTILISATION

## CONNEXION SANS FIL

Cet appareil peut être contrôlé avec une application sans fil sur votre appareil sans fil.

Visitez <https://www.danby.com/support/#apps> pour télécharger l'application et en savoir plus sur son fonctionnement.

## MINUTEUR

Appuyez sur le bouton de la minuterie et l'indicateur de mise en marche ou d'arrêt de la minuterie s'allumera pour indiquer que le cycle de démarrage automatique ou d'arrêt automatique est en cours de réglage. Pour certaines unités, continuer à appuyer sur le bouton de la minuterie annulera les réglages de la minuterie.

Appuyez sur les boutons de contrôle de la température pour modifier l'heure réglée par incréments de 0,5 heure jusqu'à 10 heures, puis par incréments de 1 heure jusqu'à 24 heures. L'affichage décompte le temps restant.

L'heure sélectionnée s'enregistrera dans 5 secondes et le système reviendra automatiquement pour afficher le réglage de température précédent ou la température ambiante.

Allumer ou éteindre l'appareil à tout moment ou régler le réglage de la minuterie sur 0 annulera les réglages de la minuterie.

## SOMMEIL

Appuyez sur le bouton de mise en sommeil pour activer la fonction de mise en sommeil qui économisera de l'énergie pendant les heures de sommeil. Cette fonction est disponible en mode refroidir.

Lorsqu'elle est sélectionnée, la température réglée augmentera de 2° 30 minutes après le démarrage du mode veille. 30 minutes plus tard, la température augmentera encore de 2°. La nouvelle température sera maintenue pendant 7 heures avant que l'appareil ne reprenne son fonctionnement normal.

La fonction de sommeil peut être annulée à tout moment en appuyant sur le bouton de sommeil.

## ECO

La fonction ECO est disponible en modes froid, sec et automatique. Le ventilateur continuera à fonctionner pendant 3 minutes après l'arrêt du compresseur. Le ventilateur fonctionne ensuite pendant 2 minutes à intervalles de 10 minutes jusqu'à ce que la température ambiante soit supérieure à la température réglée et que le compresseur se rallume. Cela minimisera la fréquence d'activation du compresseur.

## VERROUILLER

Sur la télécommande, maintenez enfoncés simultanément les boutons LED et C°/F° pendant 5 secondes pour activer le verrouillage du panneau de commande. Les boutons du panneau de commande et de la télécommande ne peuvent pas être enfoncés lorsque le verrouillage du panneau de commande est activé.

Appuyez simultanément sur les boutons LED et C°/F° et maintenez-les enfoncés pendant 5 secondes pour désactiver le verrouillage du panneau de commande.

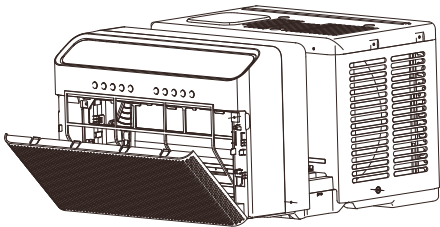
## SOINS ET ENTRETIEN

### FILTRE À AIR

Le filtre à air doit être nettoyé au moins une fois par mois. Le filtre à air peut nécessiter un nettoyage plus fréquent s'il y a des squames ou des poils importants dans l'air.

1. Poussez la poignée d'évent en position d'évent fermé. Ouvrez le panneau avant.
2. Tenez le filtre au centre et tirez-le vers le haut et vers l'extérieur.
3. Utilisez un aspirateur avec une brosse douce pour enlever les gros débris ou l'accumulation de poussière du filtre à air.
4. Lavez le filtre dans de l'eau tiède savonneuse à moins de 40°C (104°F) ou utilisez un agent de nettoyage neutre.
5. Rincez le filtre à l'eau claire et séchez-le soigneusement avant de le réinstaller dans l'appareil.

**Remarque:** ne pas faire fonctionner l'appareil sans le filtre à air installé.



### DES SONS

Tous les sons suivants peuvent être produits pendant le fonctionnement normal :

#### **Ping ou swishing**

- Les gouttelettes d'eau frappant le condenseur peuvent provoquer des bruits de cliquetis ou de bruissement

#### **Gurgle ou sifflement**

- Le fluide frigorigène traversant l'évaporateur peut parfois ressembler à un gargouillis ou à un sifflement

#### **Bavardage aigu**

- Les compresseurs à haut rendement peuvent produire un broutage aigu pendant le cycle de refroidissement

#### **Air pulsé**

- Le ventilateur produira le son de l'air qui se précipite à l'avant du climatiseur

#### **Son «Da-da» lorsque l'appareil est allumé**

- Ce son est produit par le démarrage du compresseur

### NETTOYAGE

Pour éviter tout risque d'électrocution, assurez-vous que l'appareil est débranché avant d'effectuer tout nettoyage ou entretien.

L'extérieur de l'appareil peut être nettoyé avec un chiffon doux ou avec un chiffon tiède et humide si nécessaire.

N'utilisez pas d'essence, de benzène, de diluant ou tout autre produit chimique pour nettoyer cet appareil car ces substances peuvent endommager la finition et déformer les pièces en plastique.

Ne versez jamais d'eau directement sur l'appareil car cela endommagerait les composants électriques et l'isolation du câblage.

### SOINS DE FIN DE SAISON

Avant de mettre l'appareil hors service pendant l'année, faites fonctionner l'appareil en mode ventilateur élevé pendant une demi-journée pour vous assurer que l'intérieur de l'appareil est sec. Cela aidera à éviter la formation de moisissures ou de moisissures à l'intérieur de l'appareil. Assurez-vous que le filtre est propre et sec. Rangez l'appareil couvert dans un endroit sec.

**Remarque:** lors de l'installation ou du retrait de l'appareil de la fenêtre, veillez à ce qu'il ne retombe pas vers l'arrière. Il est recommandé que l'installation ou la dépose soit complétée avec une assistance pour éviter des blessures aux personnes ou des dommages matériels ou à l'appareil.

### DISPOSITION

Vérifiez la conformité aux réglementations locales concernant l'élimination approuvée et sûre de cet appareil.

## QUESTIONS FRÉQUEMMENT POSÉES

### **Puis-je laisser mon climatiseur en place pendant l'hiver?**

Ceci n'est pas recommandé. Veuillez apporter votre climatiseur à l'intérieur pendant les mois d'hiver.

### **Quels sont la puissance et les amplitudes standard utilisés?**

Les informations relatives aux watts et aux ampères se trouvent sur la plaque signalétique située sur le côté de l'appareil.

### **Puis-je utiliser une rallonge?**

Non, une rallonge ne peut pas être utilisée.

### **Pourquoi est-ce que j'entends de l'eau dans l'unité?**

L'eau est collectée pendant le processus de climatisation. Cette eau s'écoulera hors de l'unité et sur le sol et c'est pourquoi l'unité doit être installée sur une légère inclinaison vers le bas.

### **Combien cela coûte-t-il de faire fonctionner l'unité?**

Assurez-vous que l'arrière de l'unité est installée en pente descendante afin que l'eau puisse s'écouler à l'extérieur.

### **Les odeurs**

L'odeur est causée par la formation de moisissure ou de moisissure sur les surfaces internes. Cela peut se produire lorsqu'il y a une mauvaise circulation de l'air, un filtre sale ou le climatiseur n'a pas été utilisé pendant un certain temps.

- Assurez-vous que le filtre est propre.
- Faites fonctionner l'unité en mode ventilateur pour éliminer toute humidité interne.
- Assurez-vous que l'arrière de l'unité est installé en pente descendante afin que l'eau puisse s'écouler à l'extérieur.

Si l'odeur persiste, nous suggérons d'utiliser un comprimé d'algicide. Débranchez l'appareil, puis placez la moitié de la tablette à travers chaque côté de l'appareil, à travers les fentes sur le côté (généralement sur la partie à l'extérieur de la fenêtre). Veuillez ne pas placer la tablette à travers la grille avant.

## DÉPANNAGE

### L'appareil ne fonctionnera pas

- La fiche n'est pas complètement insérée dans la prise murale
- Fusible ou disjoncteur grillé

### Refroidissement insuffisant

- Le filtre à air est sale
- Flux d'air bloqué
- La taille de l'appareil est trop petite pour l'application

### Bruit

- Les sons normaux sont répertoriés dans le mode d'emploi
- Des vibrations ou des cliquetis peuvent être produits par un soutien inadéquat lors de l'installation de la fenêtre, reportez-vous aux instructions d'installation pour vous assurer que l'unité est correctement installée

### L'eau dégouline à l'intérieur

- L'appareil n'est pas correctement incliné pour permettre à l'eau de s'écouler vers l'extérieur

### L'eau dégouline à l'extérieur

- Les jours très chauds ou humides, il est normal que de l'eau goutte à l'arrière de l'appareil

### Accumulation de givre

- Lorsque la température extérieure est inférieure à 18,3°C (65°F), du givre peut se former lorsque l'appareil est en mode de refroidissement
- Mettez l'appareil en mode ventilation uniquement jusqu'à ce que le givre fonde

### Le climatiseur démarre et s'arrête fréquemment

- Le filtre à air est sale, ce qui cause un débit d'air insuffisant
- La température extérieure est excessivement chaude, réglez la vitesse du ventilateur plus élevée pour amener l'air à travers les serpentins de refroidissement plus rapidement

## GARANTIE LIMITÉE « À DOMICILE »

Cet appareil de qualité est garanti exempt de tout vice de matière première et de fabrication, s'il est utilisé dans les conditions normales recommandées par le fabricant.

Cette garantie n'est offerte qu'à l'acheteur initial de l'appareil vendu par Danby Products Limited (Canada) ou Danby Products Inc. (É.-U.) (ci-après « Danby ») ou par l'un de ses distributeurs agréés et elle ne peut être transférée.

### CONDITIONS

Les pièces en plastique sont garanties pendant trente (30) jours seulement à partir de la date de l'achat, sans aucune prolongation prévue.

**Premiers 24 mois** Pendant les premiers **vingt quatre (24) mois**, toutes les pièces fonctionnelles de ce produit qui s'avèrent défectueuses seront réparées ou remplacées, selon le choix du garant, sans frais à l'acheteur initial.

**Pour bénéficiaire du service** S'adresser au détaillant qui a vendu l'appareil, ou à la station technique agréée de service la plus proche, où les réparations doivent être effectuées par un technicien qualifié. Si les réparations sont effectuées par quiconque autre que la station de service agréée ou à des fins commerciales, toutes les obligations de Danby en vertu de cette garantie seront annulées.

**Limites de l'entretien à domicile** Danby se réserve le droit de limiter les limites de « Service au domicile » à proximité d'un dépôt de service agréé. Pour tout appareil nécessitant le service hors des limites de "Service à domicile" il sera la responsabilité du consommateur de transporter à ses frais au point d'achat d'origine ou un dépôt de service pour la réparation. Si l'appareil est installé à plus de **100 kilomètres (62 milles)** du centre de service le plus proche, il doit être livré à l'atelier de réparation autorisé par Danby le plus proche, car l'entretien doit uniquement être réalisé par un technicien qualifié et certifié pour effectuer un entretien couvert par la garantie de Danby.

Les frais de transport entre votre domicile et le lieu de l'entretien ne sont pas couverts par la présente garantie et doivent être acquittés par l'acheteur.

Aucune partie de la garantie ne prévoit implicitement que le fabricant sera tenu responsable des dommages subis par les aliments ou d'autres types de contenu, qu'ils soient causés par la défectuosité de l'appareil ou par son usage adéquat ou inadéquat.

### EXCLUSIONS

En vertu de la présente, il n'existe aucune autre garantie, condition ou représentation, qu'elle soit exprimée ou tacite, de façon manifeste ou intentionnelle, par Danby ou ses distributeurs agréés. De même, sont exclues toutes les autres garanties, conditions ou représentations, y compris les garanties, conditions ou représentations en vertu de toute loi régissant la vente de produits ou de toute autre législation ou règlement semblable. En vertu de la présente, Danby ne peut être tenue responsable en cas de blessures corporelles ou de dégâts matériels, y compris à l'appareil, quelle qu'en soit la cause. Danby ne peut pas être tenue responsable des dommages indirects dus au fonctionnement défectueux de l'appareil. En achetant l'appareil, l'acheteur accepte de tenir sans reproche et de décharger Danby de toute responsabilité en cas de réclamation pour toute blessure corporelle ou tout dégât matériel causé par cet appareil.

### CONDITIONS GÉNÉRALES

La garantie ou assurance ci-dessus ne s'applique pas si les dégâts ou réparations sont dus aux cas suivants :

- 1) Panne de courant.
- 2) Dommages subis pendant le transport ou le déplacement de l'appareil.
- 3) Alimentation électrique incorrecte (tension faible, câblage défectueux, fusibles incorrects).
- 4) Accident, modification, emploi abusif ou incorrect de l'appareil tel qu'une circulation d'air inadéquate dans la pièce ou des conditions de fonctionnement anormales (température extrêmement élevée ou basse).
- 5) Utilisation dans un but commercial ou industriel (à savoir, si l'appareil n'est pas installé dans un domicile résidentiel).
- 6) Incendie, dommages causés par l'eau, le vol, la guerre, une émeute, des hostilités, ou en cas de force majeure (ouragan, inondation, etc.).
- 7) Visites d'un technicien pour expliquer le fonctionnement de l'appareil au propriétaire.
- 8) Installation inappropriée (par exemple, encastrement d'un appareil autoportant, ou utilisation extérieure d'un appareil non conçu à cet effet, y compris, mais sans s'y limiter : les garages, les patios, les porches ou ailleurs, qui ne sont pas correctement isolés ou climatisés).

La preuve de la date d'achat sera requise pour les réclamations de garantie; conserver la facture de vente. Dans le cas où un service de garantie est requis, présentez la preuve d'achat à notre dépôt de service agréé.

### Service sous garantie

Service au domicile

Danby Products Limited  
PO Box 1778, Guelph, Ontario, Canada N1H 6Z9  
Téléphone : (519) 837-0920 Télécopieur : (519) 837-0449

**1-800-263-2629**

02/18

Danby Products Inc.  
PO Box 669, Findlay, Ohio, U.S.A. 45840  
Téléphone : (419) 425-8627 Télécopieur : (419) 425-8629

# Bienvenido a la familia Danby.

Estamos orgullosos de nuestros productos de calidad y creemos en un servicio confiable. Le sugerimos que lea este manual del propietario antes de enchufar su nuevo electrodoméstico, ya que contiene información importante de funcionamiento, información de seguridad, solución de problemas y consejos de mantenimiento para garantizar la confiabilidad y longevidad de su electrodoméstico.

Tiene derecho a la cobertura de la garantía como se describe en el manual del propietario que se proporciona con su nuevo electrodoméstico.

1. Escriba la información de su aparato a continuación. **Debe conservar el comprobante de compra original para validar y recibir los servicios de garantía.**
2. Registre su producto en línea y reciba una **EXTENSIÓN DE GARANTÍA GRATUITA DE 2 MESES** después de completar una encuesta sobre el producto, en [www.danby.com/support/product-registration/](http://www.danby.com/support/product-registration/)

**Número de modelo:** \_\_\_\_\_

**Número de serie:** \_\_\_\_\_

**Fecha de compra:** \_\_\_\_\_

## Necesitas ayuda?

1. Lea el manual del propietario para obtener ayuda con la instalación, resolución de problemas y asistencia de mantenimiento.
2. Visite [www.Danby.com](http://www.Danby.com) para acceder a herramientas de autoservicio, preguntas frecuentes y mucho más buscando su número de modelo en la barra de búsqueda.
3. Para obtener el **servicio al cliente más rápido**, complete el formulario web en [www.danby.com/support](http://www.danby.com/support). Su envío irá directamente a un experto en su dispositivo en particular. Nuestros tiempos de respuesta promedio son entre 20 minutos y 2 horas, durante el horario comercial EST.
4. Llame al **1-800-263-2629**; tenga en cuenta que durante las horas pico, los tiempos de espera pueden exceder una hora.



## Importantes Instrucciones de Seguridad

**LEA Y SIGA TODAS LAS INSTRUCCIONES DE SEGURIDAD**



	ADVERTENCIA	Muestra que el aparato utiliza un refrigerante inflamable. Si el refrigerante tiene fugas y se expone a una fuente de ignición externa, existe riesgo de incendio.
	PRECAUCIÓN	Muestra que el manual de funcionamiento debe leerse con atención.
	PRECAUCIÓN	Muestra que el personal de servicio debe manipular este equipo con referencia al manual de instalación.
	PRECAUCIÓN	Muestra que la información está disponible como el manual de operación o el manual de instalación.



### **PRECAUCIÓN: RIESGO DE INCENDIO**

Refrigerante inflamable utilizado. Al mantener o desechar el acondicionador de aire, no se debe permitir que el refrigerante se ventile al aire libre.

**¡GUARDE ESTAS INSTRUCCIONES!**



## Importantes Instrucciones de Seguridad

### LEA Y SIGA TODAS LAS INSTRUCCIONES DE SEGURIDAD



## PRECAUCIONES DE SEGURIDAD

### ADVERTENCIA

- La instalación debe realizarse de acuerdo con las instrucciones de instalación. Una instalación incorrecta puede provocar fugas de agua, descargas eléctricas o incendios.
- Utilice solo los accesorios y piezas incluidos y las herramientas especificadas para la instalación. El uso de piezas no estándar puede provocar fugas de agua, descargas eléctricas, incendios y lesiones o daños materiales.
- Asegúrese de que el tomacorriente que esté utilizando esté conectado a tierra y tenga el voltaje adecuado. El cable de alimentación está equipado con un enchufe con conexión a tierra de tres clavijas para protegerlo de los golpes. La información sobre el voltaje se puede encontrar en la placa de identificación de la unidad.
- Su unidad debe usarse en un receptáculo de pared con conexión a tierra adecuada. Si el receptáculo de pared que piensa usar no está adecuadamente conectado a tierra o protegido por un fusible de retardo de tiempo o un disyuntor (el fusible del disyuntor necesario está determinado por la corriente máxima de la unidad. La corriente máxima se indica en la placa de identificación ubicada en el unidad), haga que un electricista calificado instale el receptáculo adecuado.
- Instale la unidad en una superficie plana y resistente. El no hacerlo podría resultar en daños o ruido y vibración excesivos.
- La unidad debe mantenerse libre de obstrucciones para garantizar un funcionamiento adecuado y mitigar los riesgos de seguridad.
- No modifique la longitud del cable de alimentación ni utilice un cable de extensión para alimentar la unidad.
- No comparta un solo tomacorriente con otros aparatos eléctricos. Una fuente de alimentación inadecuada puede provocar incendios o descargas eléctricas.
- No instale su aire acondicionado en una habitación húmeda, como un baño o un lavadero. Demasiada exposición al agua puede provocar un cortocircuito en los componentes eléctricos.
- No instale la unidad en un lugar que pueda estar expuesto a combustibles, ya que esto podría provocar un incendio.
- La unidad tiene ruedas para facilitar el movimiento. Asegúrese de no utilizar las ruedas sobre alfombras gruesas o de rodar sobre objetos, ya que esto podría provocar un vuelco.
- No opere una unidad que se haya caído o dañado.
- El aparato con calentador eléctrico debe tener al menos 1 metro de espacio de materiales combustibles.
- No toque la unidad con las manos mojadas o húmedas o cuando esté descalzo.
- Si el aire acondicionado se vuelca durante el uso, apague la unidad y desconéctela de la fuente de alimentación principal inmediatamente. Inspeccione visualmente la unidad para asegurarse de que no haya daños. Si sospecha que la unidad se ha dañado, póngase en contacto con un técnico o con el servicio de atención al cliente para obtener ayuda.
- En una tormenta eléctrica, se debe cortar la energía para evitar daños a la máquina debido a los rayos.
- Su acondicionador de aire debe usarse de tal manera que esté protegido de la humedad. p.ej. condensación, salpicaduras de agua, etc. No coloque ni guarde el acondicionador de aire donde pueda caer o ser arrastrado al agua o cualquier otro líquido. Desenchufe inmediatamente si esto ocurre.
- Todo el cableado debe realizarse estrictamente de acuerdo con la ubicación del diagrama de cableado dentro de la unidad.
- La placa de circuito de la unidad (PCB) está diseñada con un fusible para proporcionar protección contra sobrecorriente. Las especificaciones del fusible están impresas en la placa de circuito.
- Cuando la función de drenaje de agua no esté en uso, mantenga los tapones de drenaje superior e inferior firmemente instalados en la unidad. Los tapones de drenaje pueden representar un peligro de asfixia para los niños.

**¡GUARDE ESTAS INSTRUCCIONES!**





## Importantes Instrucciones de Seguridad

### LEA Y SIGA TODAS LAS INSTRUCCIONES DE SEGURIDAD



#### PRECAUCIÓN

- Este electrodoméstico no está diseñado para que lo utilicen personas (incluidos niños) cuyas capacidades físicas, sensoriales o mentales puedan ser diferentes o reducidas, o que carezcan de experiencia o conocimientos, a menos que dichas personas reciban supervisión o capacitación para operar el electrodoméstico por una persona responsable de su la seguridad. Los niños deben ser supervisados para asegurarse de que no jueguen con el aparato. Los niños deben ser supervisados alrededor de la unidad en todo momento.
- Si el cable de alimentación está dañado, debe ser reemplazado por el fabricante, su agente de servicio o personas calificadas de manera similar para evitar un peligro.
- Antes de la limpieza u otro mantenimiento, el aparato debe desconectarse de la fuente de alimentación.
- No retire ninguna cubierta fija. Nunca use este aparato si no funciona correctamente o si se ha caído o dañado.
- No pase el cable debajo de la alfombra. No cubra el cable con tapetes, tapetes o revestimientos similares. No coloque el cable debajo de muebles o electrodomésticos. Disponga los cables lejos del tráfico y donde no se puedan tropezar.
- No opere una unidad con un cable de alimentación, enchufe, fusible de alimentación o disyuntor dañados. Deseche la unidad o devuélvala a un centro de servicio autorizado para su revisión y / o reparación.
- Para reducir el riesgo de incendio o descarga eléctrica, no use este acondicionador de aire con ningún dispositivo de control de velocidad de estado sólido.
- El aparato debe instalarse de acuerdo con las regulaciones nacionales de cableado.
- Comuníquese con el técnico de servicio autorizado para la reparación o el mantenimiento de esta unidad.
- Comuníquese con el instalador de servicio autorizado para la instalación de esta unidad.
- No cubra ni obstruya las rejillas de entrada o salida.
- No utilice este producto para funciones distintas a las descritas en este manual de instrucciones.
- Antes de limpiar, apague la alimentación y desenchufe la unidad.
- Desconecte la alimentación si emite sonidos, olores o humo extraños.
- No presione los botones del panel de control con nada más que los dedos.
- No retire ninguna cubierta fija. Nunca use este aparato si no funciona correctamente o si se ha caído o dañado.
- No opere ni detenga la unidad insertando o desconectando el cable de alimentación.
- No utilice productos químicos peligrosos para limpiar o entrar en contacto con la unidad. No utilice la unidad en presencia de sustancias inflamables o vapores como alcohol, insecticidas, gasolina, etc.
- Siempre transporte su aire acondicionado en posición vertical y párese sobre una superficie estable y nivelada durante el uso.
- Póngase siempre en contacto con una persona calificada para realizar las reparaciones. Si el cable de alimentación dañado debe reemplazarse por un cable de alimentación nuevo obtenido del fabricante del producto y no debe repararse.
- Sostenga el enchufe por la cabeza del enchufe de alimentación cuando lo retire.
- Apague el aparato cuando no esté en uso.

**¡GUARDE ESTAS INSTRUCCIONES!**



## Importantes Instrucciones de Seguridad

### LEA Y SIGA TODAS LAS INSTRUCCIONES DE SEGURIDAD



#### Nota sobre gases fluorados

- Los gases fluorados de efecto invernadero están contenidos en equipos herméticamente sellados. Para obtener información específica sobre el tipo, la cantidad y el equivalente de CO<sub>2</sub> en toneladas de gas fluorado de efecto invernadero en algunos modelos. Consulte la etiqueta correspondiente en la propia unidad.
- La instalación, el servicio, el mantenimiento y la reparación de esta unidad deben ser realizados por un técnico certificado.
- La instalación y el reciclaje del producto deben ser realizados por un técnico certificado.

#### ADVERTENCIA por el uso de refrigerante R32

- No utilice medios para acelerar el proceso de descongelación o para limpiar distintos de los recomendados por el fabricante.
- El artefacto debe almacenarse en una habitación sin fuentes de ignición en funcionamiento continuo, por ejemplo, llamas abiertas, un artefacto de gas en funcionamiento o un calentador eléctrico en funcionamiento.
- No perforar ni quemar.
- Tenga en cuenta que los refrigerantes pueden no tener olor.
- El aparato debe instalarse, operarse y almacenarse en una habitación con un área de piso acorde a la cantidad de refrigerante a cargar. Para obtener información específica sobre el tipo de gas y la cantidad, consulte la etiqueta correspondiente en la unidad. Cuando existan diferencias entre la etiqueta y el manual sobre la descripción del área mínima de la habitación, prevalecerá la descripción en la etiqueta.
- Deberá observarse el cumplimiento de las normativas nacionales sobre gas.
- Mantenga las aberturas de ventilación libres de obstrucciones.
- El aparato debe almacenarse de manera que se evite que se produzcan daños mecánicos.
- Una advertencia de que el aparato debe almacenarse en un área bien ventilada donde el tamaño de la habitación corresponde al área de la habitación según lo especificado para su funcionamiento.
- Cualquier persona involucrada en el trabajo en el circuito de refrigerante debe tener un certificado vigente y válido de una autoridad de evaluación acreditada por la industria que autorice su competencia para manejar refrigerantes de manera segura de acuerdo con una especificación de evaluación reconocida por la industria.
- El servicio solo se realizará según lo recomendado por el fabricante. El mantenimiento y las reparaciones que requieran la asistencia de otro personal calificado se realizarán bajo la supervisión de una persona competente en el uso de refrigerantes inflamables.
- Siga las instrucciones cuidadosamente para manipular, instalar, limpiar y reparar el aire acondicionado para evitar daños o peligros. En este acondicionador de aire se utiliza refrigerante inflamable R32. Al mantener o desechar el aire acondicionado, el refrigerante debe recuperarse adecuadamente y no debe permitirse que se descargue directamente al aire.
- No debe haber fuego abierto o un dispositivo como un interruptor que pueda generar chispas / arcos eléctricos alrededor del aire acondicionado para evitar que se encienda el refrigerante inflamable utilizado.
- Siga las instrucciones cuidadosamente para almacenar o mantener el aire acondicionado para evitar que se produzcan daños mecánicos.
- El refrigerante inflamable -R32 se utiliza en el aire acondicionado. Siga las instrucciones cuidadosamente para evitar cualquier peligro. Para obtener información específica sobre el tipo de gas y la cantidad, consulte la etiqueta correspondiente en la unidad.
- El aparato se almacenará en una habitación sin llamas abiertas en funcionamiento continuo (por ejemplo, un aparato de gas en funcionamiento) ni fuentes de ignición (por ejemplo, un calentador eléctrico en funcionamiento).

**¡GUARDE ESTAS INSTRUCCIONES!**



## Importantes Instrucciones de Seguridad

### LEA Y SIGA TODAS LAS INSTRUCCIONES DE SEGURIDAD



#### Transporte de equipos que contienen refrigerantes inflamables

Ver normativa de transporte.

#### Marcado de equipos mediante carteles

Consulte las normativas locales.

#### Eliminación de equipos que utilizan refrigerantes inflamables

Consulte la normativa nacional.

#### Almacenamiento de equipos / electrodomésticos

El almacenamiento del equipo debe realizarse de acuerdo con las instrucciones del fabricante.

#### Almacenamiento de equipos embalados (no vendidos)

La protección del paquete de almacenamiento debe estar construida de manera que el daño mecánico al equipo dentro del paquete no cause una fuga de la carga de refrigerante. La normativa local determinará el número máximo de equipos que se permite almacenar juntos.

#### Información sobre mantenimiento

- 1. Controles en el área:** antes de comenzar a trabajar en sistemas que contienen refrigerantes inflamables, es necesario realizar controles de seguridad para garantizar que se minimice el riesgo de ignición. Para reparar el sistema de refrigeración, se deben cumplir las siguientes precauciones antes de realizar trabajos en el sistema.
- 2. Procedimiento de trabajo:** El trabajo se debe realizar bajo un procedimiento controlado para minimizar el riesgo de presencia de un gas o vapor inflamable mientras se realiza el trabajo.
- 3. Área de trabajo general:** Todo el personal de mantenimiento y otras personas que trabajen en el área local deben recibir instrucciones sobre la naturaleza del trabajo que se está realizando. Se evitará el trabajo en espacios confinados. El área alrededor del espacio de trabajo debe estar seccionada. Asegúrese de que las condiciones dentro del área de trabajo sean seguras eliminando todo el material inflamable.
- 4. Comprobación de la presencia de refrigerante:** El área debe comprobarse con un detector de refrigerante adecuado antes y durante el trabajo para garantizar que el técnico esté al tanto de atmósferas potencialmente inflamables. Asegúrese de que el equipo de detección de fugas que se utiliza sea adecuado para su uso con refrigerantes inflamables, es decir, que no produzcan chispas, que estén adecuadamente sellados e intrínsecamente seguros.
- 5. Presencia de extintor de incendios:** Si se va a realizar algún trabajo en caliente en el equipo de refrigeración o en cualquier parte asociada, se deberá disponer de un equipo de extinción de incendios apropiado. Tenga un extintor de polvo seco o CO<sub>2</sub> adyacente al área de trabajo.

**¡GUARDE ESTAS INSTRUCCIONES!**



## Importantes Instrucciones de Seguridad

### LEA Y SIGA TODAS LAS INSTRUCCIONES DE SEGURIDAD



6. **Sin fuentes de ignición:** Ninguna persona que realice trabajos relacionados con un sistema de refrigeración que impliquen exponer cualquier trabajo de tubería que contenga o haya contenido refrigerante inflamable deberá utilizar cualquier fuente de ignición de tal manera que pueda generar riesgo de incendio o explosión. Todas las posibles fuentes de ignición, incluido el tabaquismo, deben mantenerse lo suficientemente lejos del lugar de instalación, reparación, eliminación y eliminación durante el cual posiblemente se pueda liberar refrigerante inflamable al espacio circundante. Antes de que se lleve a cabo el trabajo, se debe inspeccionar el área alrededor del equipo para asegurarse de que no haya peligros inflamables o riesgos de ignición. Se exhibirán carteles de no fumar.
7. **Área ventilada:** asegúrese de que el área esté al aire libre o que esté adecuadamente ventilada antes de ingresar al sistema o realizar cualquier trabajo en caliente. Se mantendrá cierto grado de ventilación durante el período en que se lleve a cabo el trabajo. La ventilación debe dispersar de manera segura cualquier refrigerante liberado y, preferiblemente, expulsarlo al exterior a la atmósfera.
8. **Comprobaciones del equipo de refrigeración:** Cuando se cambien componentes eléctricos, estos deberán ser adecuados para el propósito y las especificaciones correctas. En todo momento se deben seguir las pautas de mantenimiento y servicio del fabricante. En caso de duda, consulte con el departamento técnico del fabricante para obtener ayuda.

Se aplicarán las siguientes comprobaciones a las instalaciones que utilicen refrigerantes inflamables:

- El tamaño de la carga está de acuerdo con el tamaño de la habitación en la que se instalan las piezas que contienen refrigerante.
  - La maquinaria de ventilación y las salidas funcionan adecuadamente y no están obstruidas.
  - Si se está utilizando un circuito de refrigeración indirecto, se debe verificar la presencia de refrigerante en el circuito secundario.
  - La marca del equipo sigue siendo visible y legible. Las marcas y los letreros que se vuelven ilegibles deben corregirse.
  - La tubería o los componentes de refrigeración se instalan en una posición en la que es poco probable que estén expuestos a cualquier sustancia que pueda corroer los componentes que contienen refrigerante, a menos que los componentes estén fabricados con materiales que sean inherentemente resistentes a la corrosión o que estén adecuadamente protegidos contra la corrosión.
9. **Comprobaciones de los dispositivos eléctricos:** la reparación y el mantenimiento de los componentes eléctricos deben incluir comprobaciones de seguridad iniciales y procedimientos de inspección de componentes. Si existe una falla que pueda comprometer la seguridad, no se debe conectar ningún suministro eléctrico al circuito hasta que se solucione satisfactoriamente. Si la falla no se puede corregir de inmediato pero es necesario continuar la operación, se debe utilizar una solución temporal adecuada. Esto se informará al propietario del equipo para que se informe a todas las partes.

Las comprobaciones iniciales de seguridad incluirán:

- Que los condensadores estén descargados. Esto se debe hacer de manera segura para evitar la posibilidad de chispas.
- Que no se exponga ningún cableado ni componentes eléctricos activos durante la carga, recuperación o purga del sistema.
- Que hay continuidad de la conexión a tierra.

**¡GUARDE ESTAS INSTRUCCIONES!**



## Importantes Instrucciones de Seguridad

### LEA Y SIGA TODAS LAS INSTRUCCIONES DE SEGURIDAD



#### Reparaciones de componentes sellados

1. Durante las reparaciones de componentes sellados, todos los suministros eléctricos deben desconectarse del equipo en el que se está trabajando antes de retirar las cubiertas selladas, etc. Si es absolutamente necesario tener un suministro eléctrico al equipo durante el servicio, entonces una forma de detección de fugas que funcione permanentemente se ubicará en el punto más crítico para advertir de una situación potencialmente peligrosa.
2. Para asegurarse de que al trabajar en componentes eléctricos, la carcasa no se altere de tal manera que se vea afectado el nivel de protección, se debe prestar especial atención a lo siguiente:
  - Daños en los cables, número excesivo de conexiones, terminales no hechos a la especificación original, daños en las juntas, montaje incorrecto de los prensaestopas, etc.
  - Asegúrese de que el aparato esté montado de forma segura.
  - Asegúrese de que los sellos o materiales de sellado no se hayan degradado de manera que ya no sirvan para evitar la entrada de atmósferas inflamables. Las piezas de repuesto deben estar de acuerdo con las especificaciones del fabricante.

Nota: El uso de sellador de silicona puede inhibir la eficacia de algunos tipos de equipos de detección de fugas. No es necesario aislar los componentes intrínsecamente seguros antes de trabajar en ellos.

#### Reparación de componentes intrínsecamente seguros

No aplique ninguna carga inductiva o capacitiva permanente al circuito sin asegurarse de que esto no exceda el voltaje y la corriente permitidos para el equipo en uso. Los componentes intrínsecamente seguros son los únicos tipos en los que se puede trabajar mientras están vivos en presencia de una atmósfera inflamable. El aparato de prueba debe tener la clasificación correcta. Reemplace los componentes solo con piezas especificadas por el fabricante. Otras partes pueden provocar la ignición del refrigerante en la atmósfera debido a una fuga.

#### Cableado

Compruebe que el cableado no esté sujeto a desgaste, corrosión, presión excesiva, vibración, bordes afilados o cualquier otro efecto ambiental adverso. La verificación también debe tener en cuenta los efectos del envejecimiento o la vibración continua de fuentes como compresores o ventiladores.

#### Detección de refrigerantes inflamables.

Bajo ninguna circunstancia deben utilizarse fuentes potenciales de ignición en la búsqueda o detección de fugas de refrigerante. No se debe usar una antorcha de halogenuros o cualquier otro detector que use una llama desnuda.

**¡GUARDE ESTAS INSTRUCCIONES!**



## Importantes Instrucciones de Seguridad

### LEA Y SIGA TODAS LAS INSTRUCCIONES DE SEGURIDAD



### Métodos de detección de fugas

Los siguientes métodos de detección de fugas se consideran aceptables para sistemas que contienen refrigerantes inflamables:

- Se deben usar detectores electrónicos de fugas para detectar refrigerantes inflamables, pero la sensibilidad puede no ser adecuada o puede necesitar una recalibración. El equipo de detección debe estar calibrado en un área libre de refrigerante. Asegúrese de que el detector no sea una fuente potencial de ignición y que sea adecuado para el refrigerante utilizado.
- El equipo de detección de fugas se fijará en un porcentaje del LFL del refrigerante y se calibrará para el refrigerante empleado y se confirmará el porcentaje apropiado de gas (25% máximo).
- Los fluidos de detección de fugas son adecuados para el uso con la mayoría de los refrigerantes, pero se debe evitar el uso de detergentes que contengan cloro, ya que el cloro puede reaccionar con el refrigerante y corroer el cobre o las tuberías.
- Si se sospecha una fuga, todas las llamas descubiertas deben retirarse o extinguirse.
- Si se encuentra una fuga de refrigerante que requiere soldadura fuerte, todo el refrigerante se recuperará del sistema o se aislará mediante válvulas de cierre en una parte del sistema alejada de la fuga. El nitrógeno libre de oxígeno (OFN) se purgará a través del sistema antes y durante el proceso de soldadura fuerte.

### Traslado y evacuación

Al entrar en el circuito de refrigerante para realizar reparaciones o para cualquier otro propósito, se deben utilizar procedimientos convencionales. Sin embargo, es importante que se sigan las mejores prácticas ya que la inflamabilidad es una consideración. Se seguirán los siguientes procedimientos:

- Retire el refrigerante.
- Purgar el circuito con gas inerte.
- Evacuar.
- Purgar de nuevo con gas inerte.
- Abrir el circuito mediante corte o soldadura fuerte.
- La carga de refrigerante se recuperará en los cilindros de recuperación correctos. El sistema se debe lavar con OFN para que la unidad sea segura. Este proceso puede necesitar repetirse varias veces. No se debe utilizar aire comprimido ni oxígeno para esta tarea.
- El lavado se logrará rompiendo el vacío en el sistema con OFN y continuando con el llenado hasta que se alcance la presión de trabajo, luego ventilando a la atmósfera y finalmente bajando al vacío. Este proceso debe repetirse hasta que no haya refrigerante dentro del sistema. Cuando se utiliza la carga OFN final, el sistema debe descargarse a presión atmosférica para permitir que se realice el trabajo. Esta operación es absolutamente vital si se realizan operaciones de soldadura fuerte en la tubería.
- Asegúrese de que la salida de la bomba de vacío no esté cerca de ninguna fuente de ignición y que haya ventilación disponible.

**¡GUARDE ESTAS INSTRUCCIONES!**



## Importantes Instrucciones de Seguridad

### LEA Y SIGA TODAS LAS INSTRUCCIONES DE SEGURIDAD



### Procedimientos de carga

Además de los procedimientos de carga convencionales, se deben seguir los siguientes requisitos:

- Asegúrese de que no se contamine con refrigerantes diferentes cuando utilice equipos de carga. Las mangueras o líneas deben ser lo más cortas posible para minimizar la cantidad de refrigerante que contienen.
- Los cilindros se mantendrán en posición vertical.
- Asegúrese de que el sistema de refrigeración esté conectado a tierra antes de cargar el sistema con refrigerante.
- Etiquete el sistema cuando se complete la carga, si no está ya etiquetado.
- Se debe tener mucho cuidado de no sobrecargar el sistema de refrigeración.
- Antes de recargar el sistema, se someterá a prueba de presión con OFN. El sistema debe ser probado contra fugas al finalizar la carga pero antes de la puesta en servicio. Se realizará una prueba de fugas de seguimiento antes de abandonar el sitio.

### Desmantelamiento

Antes de llevar a cabo este procedimiento, es esencial que el técnico esté completamente familiarizado con el equipo en todo su detalle. Se recomienda una buena práctica que todos los refrigerantes se recuperen de manera segura. Antes de realizar la tarea, se debe tomar una muestra de aceite y refrigerante en caso de que se requiera un análisis antes de reutilizar el refrigerante recuperado. Es esencial que la energía eléctrica esté disponible antes de comenzar la tarea.

- A. Familiarizarse con el equipo y su funcionamiento.
- B. Sistema de aislamiento eléctrico.
- C. Antes de intentar el procedimiento, asegúrese de que:
  - El equipo de manejo mecánico está disponible si es necesario para el manejo de cilindros de refrigerante.
  - Todo el equipo de protección personal está disponible y se está utilizando correctamente.
  - El proceso de recuperación es supervisado en todo momento por una persona competente.
  - Los equipos y cilindros de recuperación cumplen con las normas apropiadas.
- D. Bombear el sistema de refrigerante, si es posible.
- E. Si no es posible un vacío, haga un colector para que se pueda eliminar el refrigerante de varias partes del sistema.
- F. Asegúrese de que el cilindro esté situado en la balanza antes de que tenga lugar la recuperación.
- G. Arranque la máquina de recuperación y opere de acuerdo con las instrucciones del fabricante.
- H. No llene en exceso los cilindros. No más del 80% de volumen de carga líquida.
- I. No exceda la presión máxima de trabajo del cilindro, ni siquiera temporalmente.
- J. Cuando los cilindros se hayan llenado correctamente y se haya completado el proceso, asegúrese de que los cilindros y el equipo se retiren del sitio rápidamente y que todas las válvulas de aislamiento del equipo estén cerradas.
- K. El refrigerante recuperado no debe cargarse en otro sistema de refrigeración a menos que se haya limpiado y revisado.

**¡GUARDE ESTAS INSTRUCCIONES!**



## Importantes Instrucciones de Seguridad

### LEA Y SIGA TODAS LAS INSTRUCCIONES DE SEGURIDAD



#### Etiquetado

El equipo debe estar etiquetado indicando que ha sido retirado del servicio y vaciado de refrigerante. La etiqueta deberá estar fechada y firmada. Asegúrese de que haya etiquetas en el equipo que indiquen que el equipo contiene refrigerante inflamable.

#### Recuperación

Cuando se retira refrigerante de un sistema, ya sea para servicio o cierre, se recomienda que todos los refrigerantes se eliminen de manera segura.

Cuando transfiera refrigerante a los cilindros, asegúrese de que solo se utilicen los cilindros apropiados para recuperar el refrigerante. Asegúrese de que esté disponible el número correcto de cilindros para mantener la carga total del sistema. Todos los cilindros que se utilizarán están diseñados para el refrigerante recuperado y etiquetados para ese refrigerante, es decir, cilindros especiales para la recuperación de refrigerante. Los cilindros deben estar completos con válvula de alivio de presión y válvulas de cierre asociadas en buen estado de funcionamiento. Los cilindros de recuperación vacíos se evacuan y, si es posible, se enfrían antes de que se produzca la recuperación.

El equipo de recuperación debe estar en buen estado de funcionamiento con un conjunto de instrucciones sobre el equipo que se encuentra a mano y debe ser adecuado para la recuperación de refrigerantes inflamables. Además, un conjunto de balanzas calibradas estará disponible y en buen estado de funcionamiento. Las mangueras deben estar completas con acoplamientos de desconexión sin fugas y en buenas condiciones. Antes de usar la máquina de recuperación, verifique que esté en buen estado de funcionamiento, que se haya mantenido correctamente y que todos los componentes eléctricos asociados estén sellados para evitar la ignición en caso de una fuga de refrigerante. Consulte al fabricante en caso de duda.

El refrigerante recuperado se devolverá al proveedor de refrigerante en el cilindro de recuperación correcto y se dispondrá la nota de transferencia de residuos correspondiente. No mezcle refrigerantes en unidades de recuperación y especialmente en cilindros. Si se deben retirar los compresores o los aceites de compresores, asegúrese de que hayan sido evacuados a un nivel aceptable para asegurarse de que no quede refrigerante inflamable dentro del lubricante. El proceso de evacuación se llevará a cabo antes de devolver el compresor a los proveedores. Para acelerar este proceso solo debe emplearse calentamiento eléctrico del cuerpo del compresor. Cuando el aceite se drena de un sistema, debe llevarse a cabo de manera segura.

**¡GUARDE ESTAS INSTRUCCIONES!**



# INSTRUCCIONES DE INSTALACIÓN

## UBICACIÓN

Este acondicionador de aire está diseñado para caber dentro de un ancho de apertura de ventana de guillotina doble estándar de 22 a 36" (55,9 a 91,4 cm).

La hoja inferior debe abrirse lo suficiente para permitir una abertura vertical clara de 13,75" (35 cm).

Este acondicionador de aire no está diseñado para ventanas verticales deslizantes o para instalación "a través de la pared".

Asegúrese de que la ventana y el marco sean estructuralmente sólidos y no tengan madera seca o podrida.

Instale el aire acondicionado en un lado del edificio que favorezca más sombra que la luz del sol. Si el aparato debe estar expuesto a la luz solar directa, es aconsejable proporcionar un toldo de sombra para garantizar un funcionamiento eficiente.

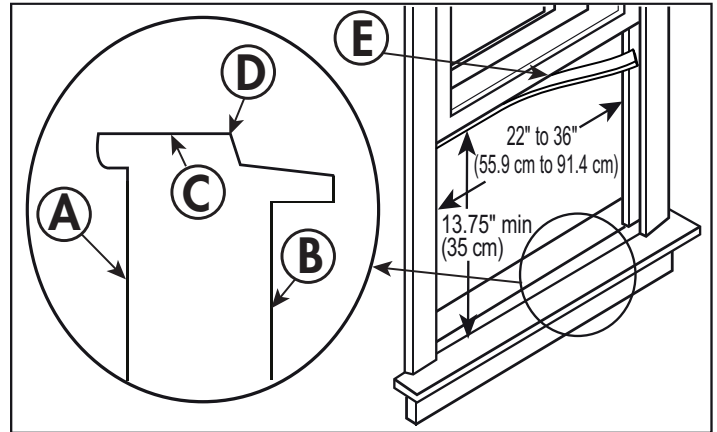
No instale el aparato donde se sospeche una fuga de gas combustible.

Este acondicionador de aire está diseñado para evaporar la condensación en condiciones normales. En condiciones extremadamente cálidas o húmedas, el exceso de condensación puede desbordarse hacia el exterior. El aire acondicionado debe instalarse donde la condensación no pueda gotear sobre los peatones o las propiedades vecinas.

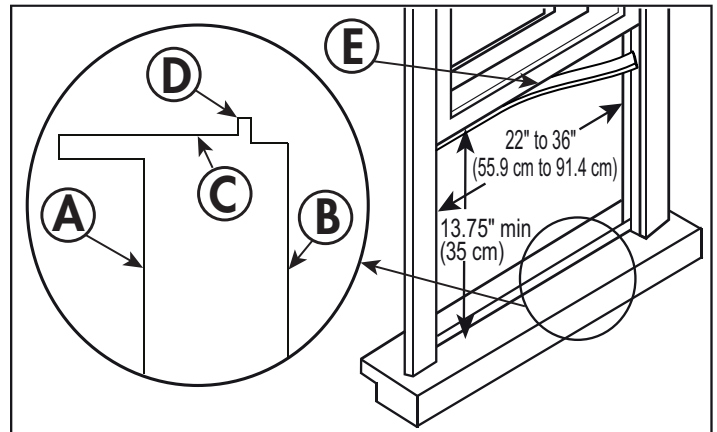
Deje suficiente espacio alrededor del aparato para permitir una amplia circulación de aire. La parte trasera del aparato debe estar al aire libre, no debe estar en un garaje u otra habitación. Mantenga el aparato alejado de obstáculos y al menos a 30" del suelo. Asegúrese de que las cortinas y otras obstrucciones no bloqueen el flujo de aire.

- A. Pared interior
- B. Pared exterior
- C. Alféizar interior de la ventana
- D. Compensar
- E. Sellar espuma

## Ventanas de madera



## Ventanas revestidas de vinilo



# INSTRUCCIONES DE INSTALACIÓN

## HERRAMIENTAS REQUERIDAS

- Destornillador Phillips
- Destornillador de cabeza plana
- Lápiz
- Cinta métrica
- Nivel de carpintero
- Taladro y broca de 1/8"

**Nota:** Guarde la caja de envío y los materiales de embalaje para almacenarlos o transportarlos en el futuro. Verifique el contenido de las bolsas de accesorios con la lista de verificación siguiente antes de la instalación.

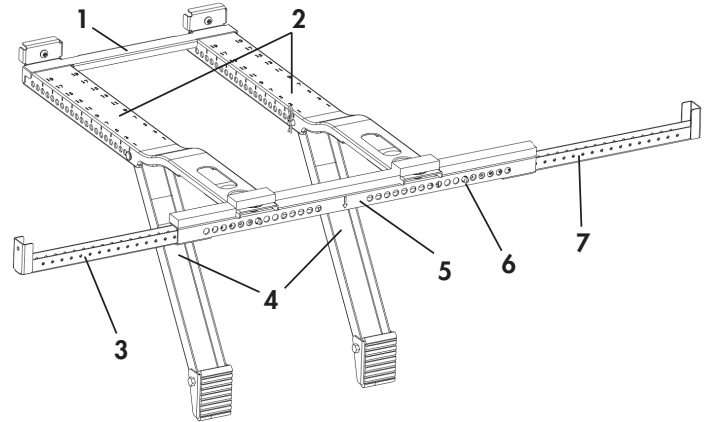
## ACCESORIOS INCLUIDOS

Tornillo 1/2" tipo B (x2) *	
Tornillo tipo B de 1/4" (x2) *	
Tornillo tipo A de 1" (x2) *	
Tornillo de 1/2" tipo A (x3) *	
Soporte de apoyo	
Brazo de extensión derecho	
Brazo de extensión derecho (corto)	
Pasador de soporte principal (x2) *	
Pasador de chaveta (x2) *	
Soporte de ventana abierta derecha	
Soporte de ventana abierta izquierda	
Espuma de brazo lateral (x2)	
Cerradura de guillotina de ventana	
Espuma de marco de ventana	
Espuma de sellado de ventanas	
Espuma de sellado del soporte	
Espuma de brazo lateral adicional	

\* Indica hardware adicional provisto en una bolsa separada.

## DETALLES DEL SOPORTE

1. Soporte transversal trasero
2. Soporte principal
3. Brazo de extensión izquierdo
4. Brazos de soporte en ángulo
5. Soporte horizontal
6. Pasador de resorte
7. Brazo de extensión derecho

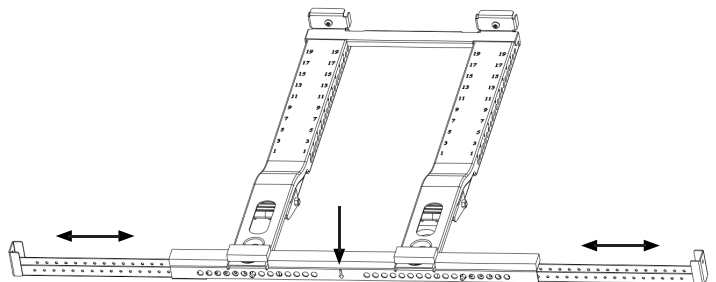


## PREPARA EL SOPORTE

1. Busque el centro del alféizar de la ventana y márkelo ligeramente con un lápiz.
2. Mide el ancho de la ventana.
3. Ajuste el brazo de extensión izquierdo, luego instale y ajuste el brazo de extensión derecho al ancho correcto presionando los pasadores de resorte. Tenga en cuenta que el soporte puede estar ligeramente desplazado a la izquierda del centro cuando se coloca en la ventana.
4. Aplique la espuma selladora del soporte en la parte inferior de los brazos de extensión izquierdo y derecho.

Importante:

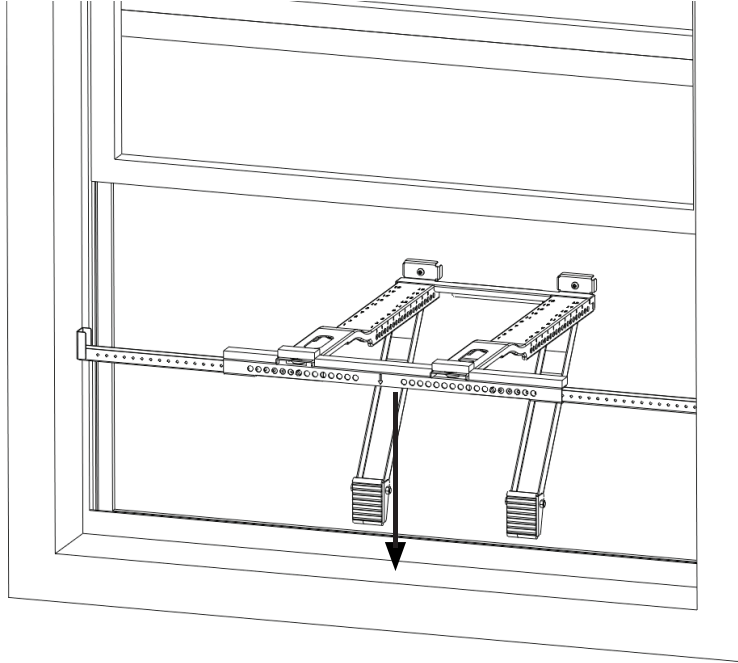
- Las ventanas con anchos entre 26 y 36" deben usar el brazo de extensión derecho. Las ventanas con anchos entre 26 y 26" deben usar el brazo de extensión derecho corto



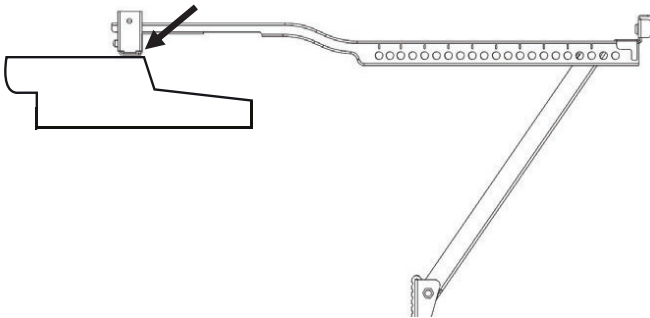
# INSTRUCCIONES DE INSTALACIÓN

## INSTALE EL SOPORTE

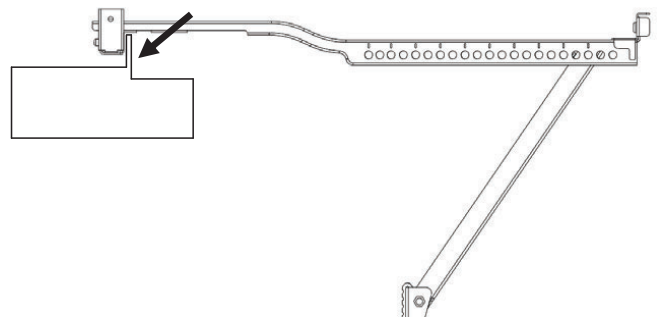
Instale el soporte de soporte en la abertura de la ventana. Asegúrese de que el soporte horizontal y los brazos de extensión estén ubicados en el lado interior de la ventana.



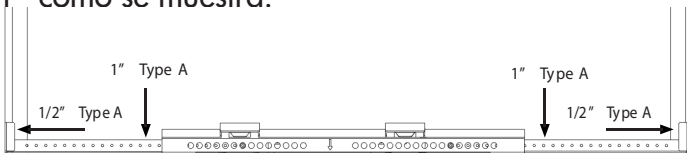
### Alféizar de ventana de madera



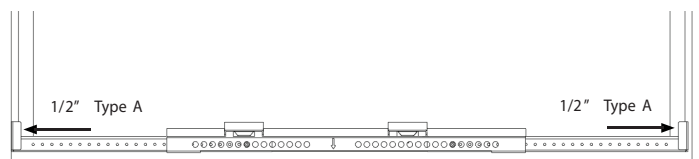
### Alféizar de ventana revestido de vinilo



Para los antepechos de ventana de madera o antepechos de ventana planos, asegure el soporte al alféizar de la ventana perforando orificios guía de 1/8" e instalando los tornillos tipo A de 1/2" y 1" como se muestra.



Para los alféizares de ventana revestidos de vinilo, asegure el soporte al alféizar de la ventana perforando orificios guía de 1/8" e instalando los tornillos tipo A de 1/2" como se muestra.

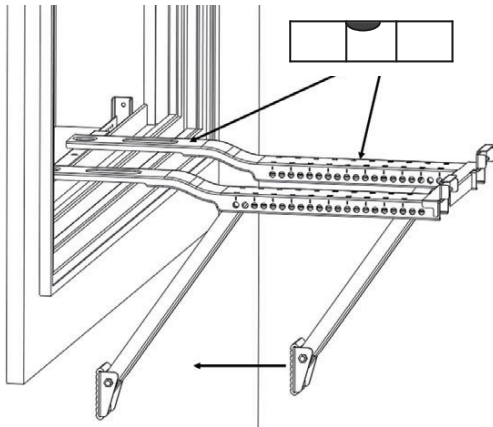


# INSTRUCCIONES DE INSTALACIÓN

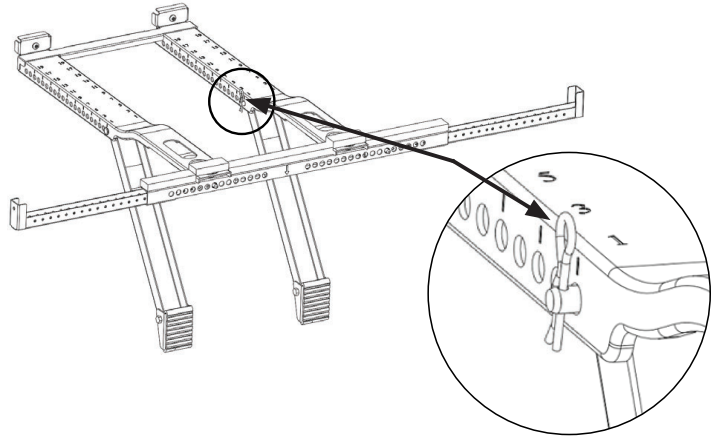
## Brazos de soporte en ángulo

Mueva los brazos de soporte en ángulo hacia la pared exterior hasta que los pies toquen la pared.

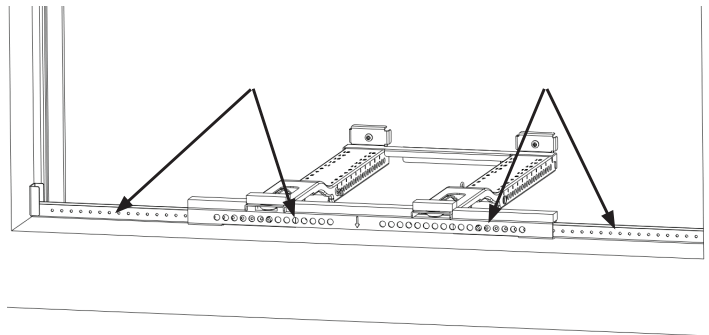
Coloque el nivel en el soporte de soporte y ajuste los brazos de soporte de modo que se incline 1/4 de burbuja hacia abajo hacia el exterior. La burbuja de nivel debería aparecer como se muestra.



Verifique el nivel nuevamente y asegúrese de que el soporte se sienta seguro. Después de realizar los ajustes necesarios, inserte las chavetas en los pasadores de soporte principal.

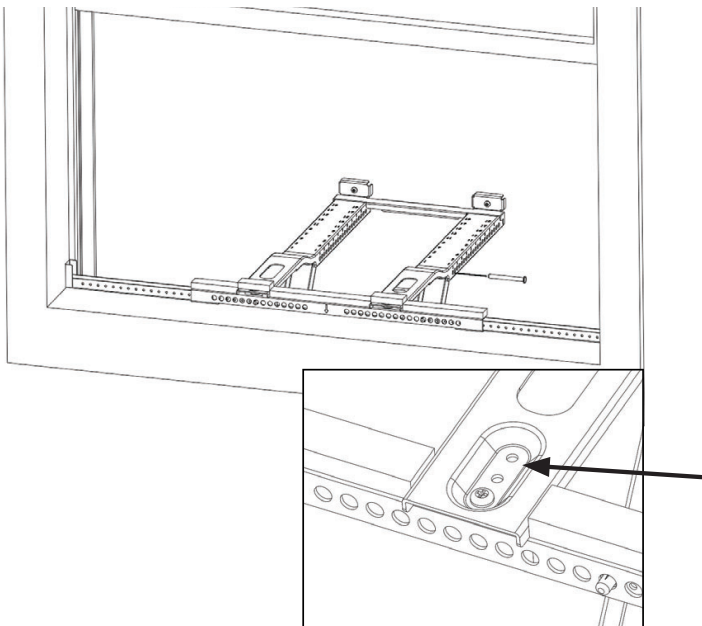


Si es necesario, cubra los orificios en la parte delantera del soporte con la espuma selladora del soporte.



Inserte el pasador de soporte principal a través de los orificios del soporte de soporte y los brazos de soporte en ángulo. Asegúrese de que los pasadores de ambos lados estén en el mismo orificio numerado.

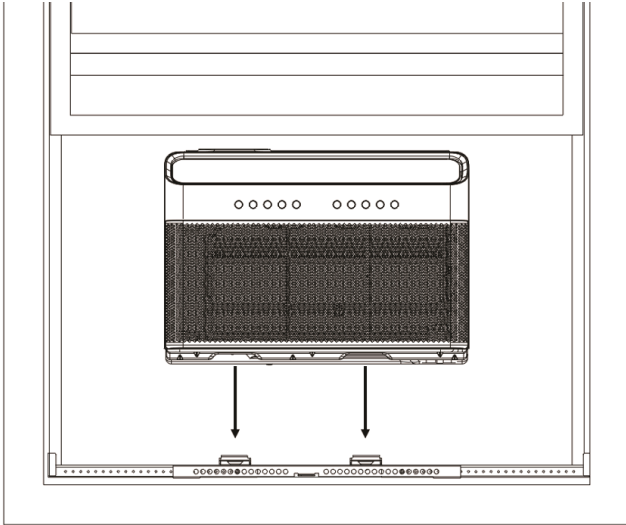
Si es necesario realizar más ajustes, use orificios alternativos donde los soportes principales se unen al soporte horizontal.



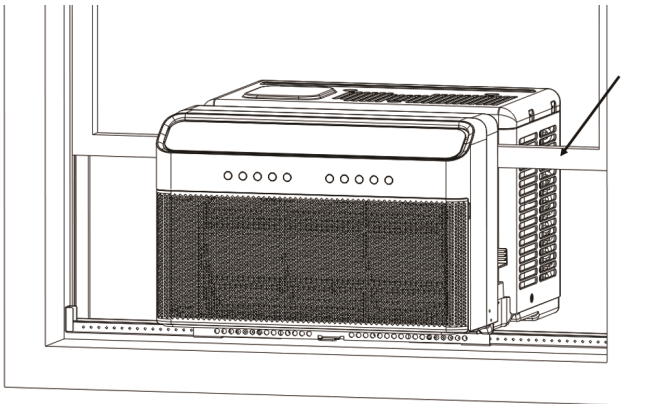
# INSTRUCCIONES DE INSTALACIÓN

## INSTALE EL AIRE ACONDICIONADO

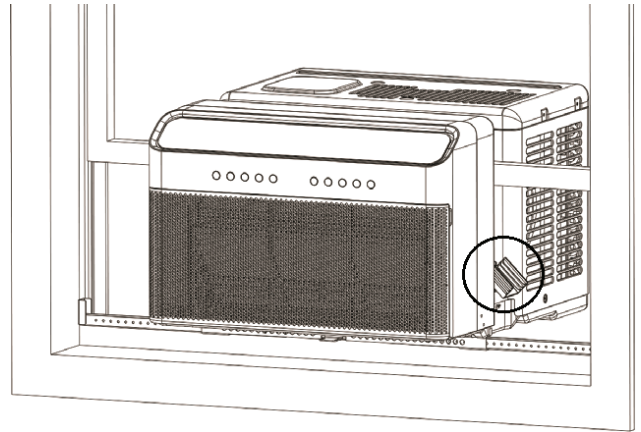
Coloque el acondicionador de aire encima del soporte de soporte. Asegúrese de que las ranuras en la parte inferior del aire acondicionado estén alineadas con el soporte de soporte. Usando un nivel, verifique que la inclinación sea adecuada hacia el exterior.



Jale la ventana hacia abajo en la ranura del aire acondicionado para mantenerla firme, pero no la cierre del todo todavía.

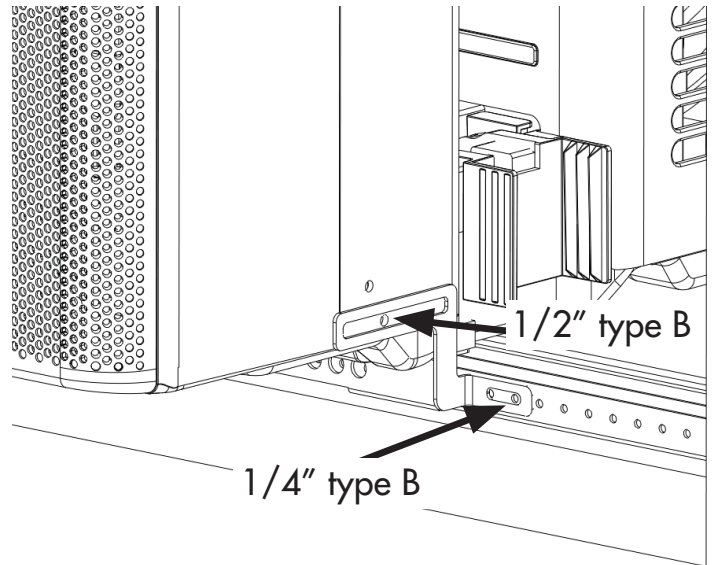


Doble hacia abajo las bisagras de ambos brazos laterales.



Instale los soportes de la ventana abierta usando los tornillos provistos como se muestra.

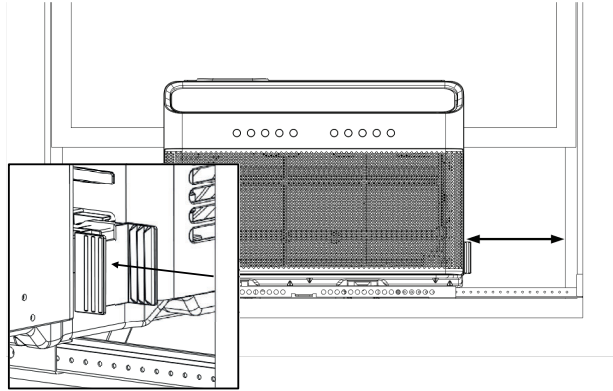
Advertencia: No instalar los soportes de las ventanas abiertas podría causar lesiones o daños a la propiedad.



# INSTRUCCIONES DE INSTALACIÓN

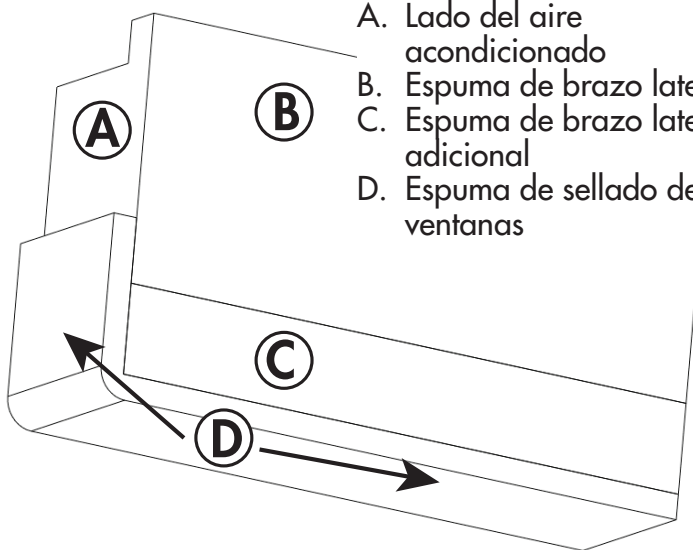
## INSTALACION DE ESPUMA

Mida la distancia entre la bisagra del brazo lateral y la parte más cercana del marco de la ventana en el lado del brazo lateral. Agregue 1/4" a esta distancia y corte la espuma del brazo lateral a la longitud correcta.



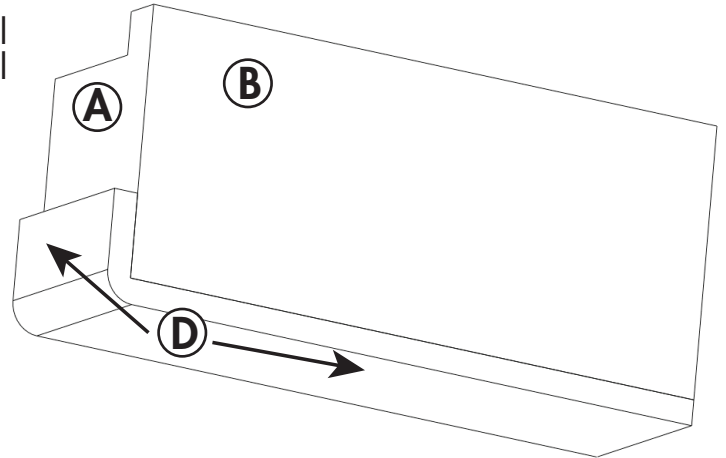
Aplique la espuma selladora de la ventana a la espuma del brazo lateral como se muestra. Tenga en cuenta que la espuma selladora de la ventana se adhiere al costado junto al aire acondicionado.

### Alféizar de ventana de madera

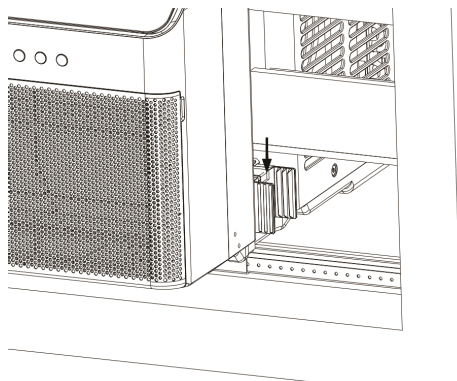


- A. Lado del aire acondicionado
- B. Espuma de brazo lateral
- C. Espuma de brazo lateral adicional
- D. Espuma de sellado de ventanas

### Alféizar de ventana revestido de vinilo



Inserte espuma del brazo lateral en la bisagra del brazo lateral hasta que la parte delantera superior del brazo lateral esté al ras con la parte superior de la bisagra. Complete la instalación de espuma lateral en ambos lados de la unidad.

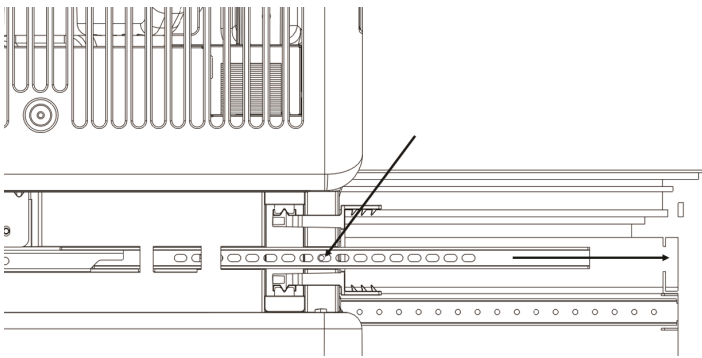


# INSTRUCCIONES DE INSTALACIÓN

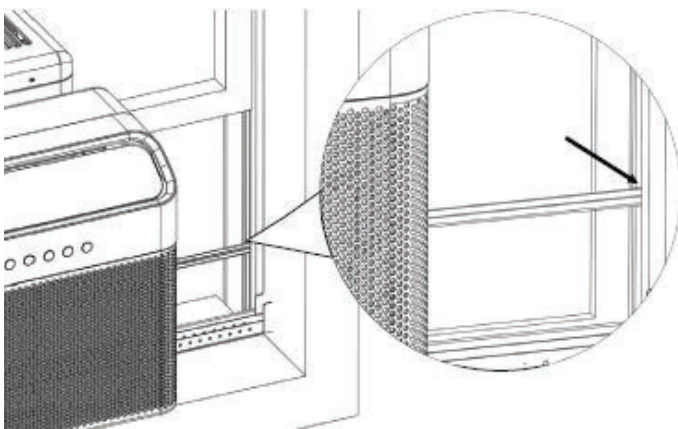
## SOPORTE ANTIPUNTA

Los soportes antivuelco deben extenderse en la abertura del riel de la ventana hasta. Retire el tornillo del soporte antivuelco, extiéndalo todo lo que pueda hacia el costado de la ventana y luego fíjelo con el mismo tornillo.

Advertencia: Los soportes antivuelco deben extenderse hacia la abertura del riel de la ventana. No utilizar los soportes antivuelco puede provocar lesiones o daños graves.



Vea a continuación un ejemplo de cómo debería verse el soporte antivuelco cuando se instala correctamente. Tenga en cuenta que la espuma del brazo lateral se ha eliminado de estas imágenes con fines ilustrativos.

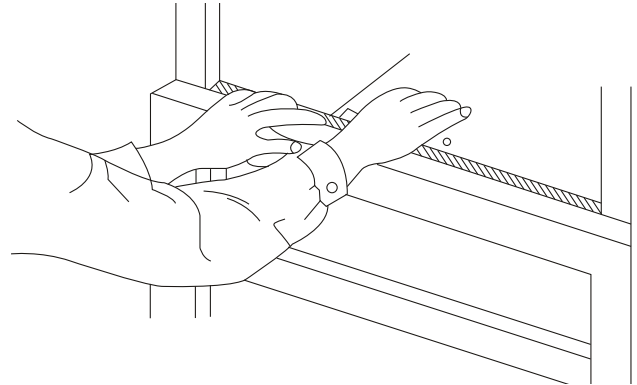


## ESPUMA DE SELLADO DE VENTANAS

Instale una tira de espuma selladora de ventanas en la parte inferior de la hoja inferior para sellar cualquier pequeño espacio entre la ventana y el aire acondicionado. Asegúrese de que la ventana esté completamente cerrada y luego verifique si hay espacios. Rellene los huecos con la espuma restante según sea necesario.

Extienda las cerraduras de ventana integradas, ubicadas en el canal en U, hasta que hagan contacto con la ventana.

Corte la espuma de la hoja de la ventana e insértela en el espacio entre las hojas superior e inferior.



## MARCO DE BLOQUEO

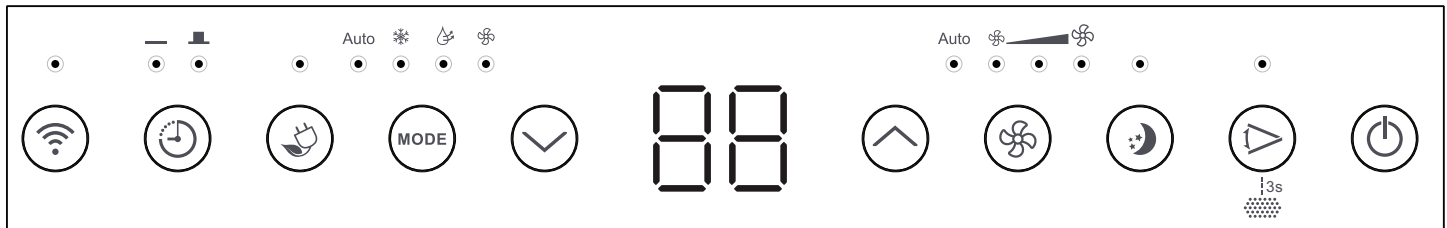
Para mayor seguridad, instale la cerradura de guillotina opcional. Asegure la cerradura de la hoja en su lugar con tornillos tipo A de 1/2" como se muestra.



# INSTRUCCIONES DE OPERACIÓN

## PANEL DE CONTROL

1. **CONEXIÓN INALÁMBRICA:** Presione para activar la función de conexión inalámbrica.
2. **TEMPORIZADOR:** Presione para activar la función de temporizador.
3. **ECO:** Presione para activar la función ECO.
4. **MODO:** Presione para configurar el modo deseado.
5. **BOTONES DE CONTROL DE TEMPERATURA:** Presione para cambiar el ajuste de temperatura. Mantenga presionados los botones de control de temperatura al mismo tiempo durante 3 segundos para cambiar la escala de temperatura que se muestra. La temperatura se puede ajustar entre 16 y 30°C (60 y 86°F).
6. **VENTILADOR:** Presione para configurar la velocidad deseada del ventilador.
7. **DORMIR:** Presione para activar la función de dormir.
8. **OSCILACIÓN:** Presione para iniciar la función de oscilación automática. Presione nuevamente cuando la rejilla alcance el ángulo deseado. Mantenga presionado el botón de oscilación durante 3 segundos para restablecer el filtro después de la limpieza.
9. **ENCENDIDO / APAGADO:** Presione para encender o apagar el aparato.



## MODO

Presione el botón de modo para elegir el modo deseado.

### Auto

El modo automático establecerá automáticamente el funcionamiento de refrigeración o solo ventilador en función de la temperatura actual de la habitación. La velocidad del ventilador no se puede ajustar en este modo.

### Frio

Elija el modo frío para configurar la función de refrigeración. Use los botones de control de temperatura para elegir la temperatura deseada. La velocidad del ventilador se puede ajustar presionando el botón del ventilador.

### Seco

Elija el modo de secado para configurar la función de deshumidificación. El agua condensada se drenará por la parte posterior de la unidad. La velocidad del ventilador no se puede ajustar en este modo.

### Ventilador

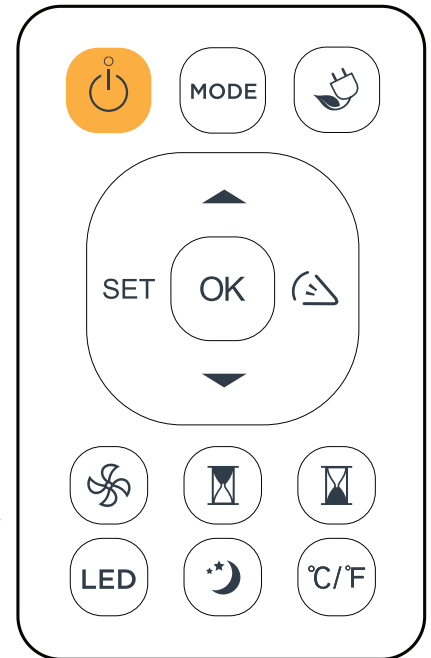
El modo de ventilador hará funcionar el ventilador interno sin activar la función de enfriamiento. La velocidad del ventilador se puede ajustar presionando el botón del ventilador.



# INSTRUCCIONES DE OPERACIÓN

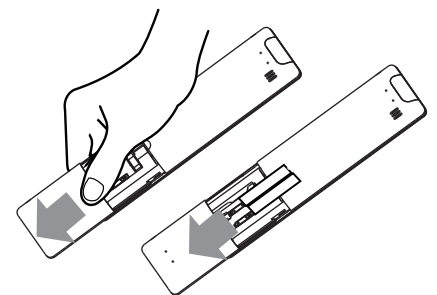
## CONTROL REMOTO

1. **ENCENDIDO / APAGADO:** Presione para encender o apagar el aparato.
2. **MODO:** Presione para configurar el modo deseado.
3. **ECO:** Presione para activar la función ECO.
4. **CONEXIÓN INALÁMBRICA:** Presione para activar la función de conexión inalámbrica.
5. **BOTONES DE CONTROL DE TEMPERATURA:** Presione para cambiar el ajuste de temperatura.
6. **OSCILACIÓN:** Presione para iniciar la función de oscilación automática. Presione nuevamente cuando la rejilla alcance el ángulo deseado.
7. **VENTILADOR:** Presione para configurar la velocidad deseada del ventilador.
8. **TEMPORIZADOR DE ENCENDIDO AUTOMÁTICO:** Presione para activar el temporizador de encendido automático.
9. **TEMPORIZADOR DE APAGADO AUTOMÁTICO:** Presione para activar el temporizador de apagado automático.
10. **LED:** Presione para apagar la pantalla del aparato.
11. **DORMIR:** Presione para activar la función de dormir.
12. **C°/F°:** Presione para cambiar la escala de temperatura que se muestra.



## REEMPLAZO DE BATERÍAS REMOTAS

1. Deslice la tapa trasera del control remoto hacia abajo para exponer el compartimiento de la batería.
2. Inserte pilas nuevas. Haga coincidir el (+) y (-) de las baterías con las marcas del compartimiento.
3. Vuelva a colocar la tapa de la batería en su lugar.



## Notas importantes

- El mando a distancia debe utilizarse a menos de 8 metros del aparato.
- El aparato emitirá un pitido cuando se reciba una señal del control remoto.
- Las cortinas y la luz solar directa pueden interferir con la señal remota.
- Quite las baterías si el control remoto no se utilizará durante más de 2 meses.
- No mezcle pilas nuevas y viejas o pilas de diferentes tipos.
- No deseche las baterías como residuos municipales sin clasificar. Consulte las leyes locales para la eliminación adecuada de las baterías.

# INSTRUCCIONES DE OPERACIÓN

## REGLAMENTOS DE CONTROL REMOTO

Este equipo ha sido probado y cumple con los límites para un dispositivo digital de Clase B, de acuerdo con la Parte 15 de las Reglas de la FCC. Estos límites están diseñados para proporcionar una protección razonable contra interferencias perjudiciales en una instalación residencial. Este equipo genera, usa y puede irradiar energía de radiofrecuencia y, si no se instala y usa de acuerdo con las instrucciones, puede causar interferencia dañina a las comunicaciones por radio. Sin embargo, no hay garantía de que no se produzcan interferencias en una instalación en particular.

Si este equipo causa interferencia dañina en la recepción de radio o televisión, lo cual se puede determinar encendiendo y apagando el equipo, se recomienda al usuario que intente corregir la interferencia mediante una o más de las siguientes medidas:

1. Reorientar o reubicar la antena receptora
2. Aumente la separación entre el equipo y el receptor
3. Conectar el equipo a una toma de corriente en un circuito diferente al que está conectado el receptor
4. Consulte con el distribuidor o con un técnico de radio / TV experimentado para obtener ayuda

Los cambios o modificaciones no aprobados por la parte responsable del cumplimiento de la FCC y de Industry Canada podrían anular la autoridad del usuario para operar el equipo. Este aparato cumple con la Parte 15 de las Reglas de la FCC y los estándares RSS exentos de licencia.

El funcionamiento está sujeto a las siguientes condiciones:

1. Este dispositivo no puede causar interferencias.
2. Este dispositivo debe aceptar cualquier interferencia recibida, incluida la interferencia que pueda causar un funcionamiento no deseado.

Este equipo cumple con los límites de exposición a la radiación FCC RF e IC RSS-102 establecidos para un entorno no controlado. Este equipo debe instalarse y utilizarse con una distancia mínima de 20 cm (8 pulgadas) entre el radiador y su cuerpo.

Este dispositivo cumple con RSS-247 de Industry Canada. El funcionamiento está sujeto a la condición de que este dispositivo no cause interferencias perjudiciales.

Este dispositivo cumple con la norma canadiense CAN ICES-3 (B) / NMB-3 (B)

Este dispositivo contiene:

FCC ID: 24951-MZNA19

IC: 12575A-MDNA19

# INSTRUCCIONES DE OPERACIÓN

## CONEXIÓN INALÁMBRICA

Este aparato se puede controlar con una aplicación inalámbrica en su dispositivo inalámbrico.

Visite <https://www.danby.com/support/#apps> para descargar la aplicación y conocer su funcionamiento.

## TEMPORIZADOR

Presione el botón del temporizador y el indicador de encendido o apagado del temporizador se iluminará para indicar que se está configurando el ciclo de inicio automático o parada automática. Para algunas unidades, si continúa presionando el botón del temporizador, se cancelarán los ajustes del temporizador.

Presione los botones de control de temperatura para cambiar el tiempo establecido en incrementos de 0,5 horas hasta 10 horas y luego en incrementos de 1 hora hasta 24 horas. La pantalla hará una cuenta atrás del tiempo restante.

El tiempo seleccionado se registrará en 5 segundos y el sistema regresará automáticamente para mostrar el ajuste de temperatura anterior o la temperatura ambiente.

Encender o apagar el aparato en cualquier momento o ajustar el temporizador a 0 cancelará los ajustes del temporizador.

## DORMIR

Presione el botón de dormir para iniciar la función de dormir que conservará energía durante las horas de sueño. Esta función está disponible en modo frío.

Cuando se selecciona, la temperatura establecida aumentará en 2° 30 minutos después de que se inicie el modo de suspensión. 30 minutos después, la temperatura aumentará otros 2°. La nueva temperatura se mantendrá durante 7 horas antes de que el aparato vuelva al funcionamiento normal.

La función de dormir se puede cancelar en cualquier momento presionando el botón de dormir.

## ECO

La función ECO está disponible en los modos frío, seco y automático. El ventilador seguirá funcionando durante 3 minutos después de que se apague el compresor. A continuación, el ventilador se enciende durante 2 minutos en intervalos de 10 minutos hasta que la temperatura ambiente está por encima de la temperatura establecida y el compresor se vuelve a encender. Esto minimizará la frecuencia con la que se enciende el compresor.

## CERRADURA

En el control remoto, mantenga presionados los botones LED y C°/F° al mismo tiempo durante 5 segundos para activar el bloqueo del panel de control. Los botones del panel de control y del control remoto no se pueden presionar cuando el bloqueo del panel de control está activo.

Mantenga presionados los botones LED y C°/F° al mismo tiempo durante 5 segundos para desactivar el bloqueo del panel de control.

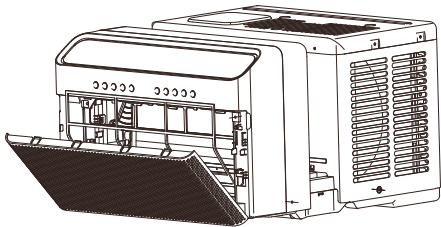
# CUIDADO Y MANTENIMIENTO

## FILTRO DE AIRE

El filtro de aire debe limpiarse al menos una vez al mes. El filtro de aire puede requerir una limpieza más frecuente si hay mucha caspa o pelo en el aire.

1. Empuje la manija de ventilación a la posición de ventilación cerrada. Abra el panel frontal.
2. Sostenga el filtro en el centro y tire de él hacia arriba y hacia afuera.
3. Utilice una aspiradora con un accesorio de cepillo suave para eliminar cualquier residuo grande o polvo acumulado en el filtro de aire.
4. Lave el filtro en agua tibia y jabón, por debajo de 40°C (104°F), o use un agente de limpieza neutro.
5. Enjuague el filtro con agua limpia y séquelo bien antes de volver a instalarlo en el aparato.

**Nota:** No opere el aparato sin el filtro de aire instalado.



## SONIDOS

Todos los siguientes sonidos pueden producirse durante el funcionamiento normal:

### Hacer ping o silbido

- Las gotas de agua que golpean el condensador pueden causar ruidos de silbido o silbidos

### Gorgoteo o silbido

- El refrigerante que pasa a través del evaporador a veces puede sonar como un gorgoteo o un silbido

### Charla aguda

- Los compresores de alta eficiencia pueden producir un parloteo agudo durante el ciclo de enfriamiento

### Aire corriendo

- El ventilador producirá el sonido de una corriente de aire desde la parte delantera del aire acondicionado

### Sonido "Da-da" cuando la unidad está encendida

- Este sonido es producido por el arranque del compresor.

## LIMPIEZA

Para evitar posibles descargas eléctricas, asegúrese de que el aparato esté desenchufado antes de realizar cualquier limpieza o mantenimiento.

El exterior del aparato se puede limpiar con un paño suave o con un paño húmedo tibio si es necesario.

No use gasolina, benceno, diluyente o cualquier otro producto químico para limpiar este aparato, ya que estas sustancias pueden dañar el acabado y deformar las piezas de plástico.

Nunca vierta agua directamente sobre el aparato, ya que esto provocará el deterioro de los componentes eléctricos y el aislamiento del cableado.

## CUIDADO DE FIN DE TEMPORADA

Antes de retirar el electrodoméstico de servicio durante un año, opere el electrodoméstico en modo de ventilador alto durante medio día para asegurarse de que el interior del electrodoméstico esté seco. Esto ayudará a evitar el crecimiento de moho o hongos dentro del aparato. Asegúrese de que el filtro esté limpio y seco. Guarde el aparato cubierto en un lugar seco.

**Nota:** Al instalar o quitar el electrodoméstico de la ventana, asegúrese de tener cuidado para evitar que se caiga hacia atrás. Se recomienda que la instalación o desinstalación se complete con ayuda para evitar lesiones a personas o daños a la propiedad o al aparato.

## DISPOSICIÓN

Verifique el cumplimiento normativo local con respecto a la eliminación segura y aprobada de este aparato.

## PREGUNTAS FRECUENTES

### ¿Puedo dejar mi aire acondicionado en su lugar durante el invierno?

No se recomienda. Traiga su unidad de aire acondicionado adentro durante los meses de invierno.

### ¿Cuáles son las potencias y amperios estándar que se utilizan?

La información relativa a vatios y amperios se puede encontrar en la placa de clasificación ubicada en el costado de la unidad.

### ¿Puedo usar un cable de extensión?

No, no se puede usar un cable de extensión.

### ¿Por qué escucho agua en la unidad?

El agua se recoge durante el proceso de aire acondicionado. Esta agua saldrá de la unidad y caerá al suelo y es por eso que la unidad debe instalarse con una ligera inclinación hacia abajo.

### ¿Cuánto cuesta hacer funcionar la unidad?

Consulte la guía de energía.

## Olor

El olor es causado por la formación de moho o hongos en las superficies internas. Esto puede suceder cuando hay mala circulación de aire, un filtro sucio o el aire acondicionado no se usó durante un período de tiempo.

- Asegúrese de que el filtro esté limpio.
- Haga funcionar la unidad en modo ventilador para eliminar la humedad interna.
- Asegúrese de que la parte trasera de la unidad esté instalada en pendiente descendente para que el agua pueda drenar al exterior.

Si el olor continúa, sugerimos usar una tableta de algicida. Desenchufe la unidad, luego coloque la mitad de la tableta a través de cada lado de la unidad, a través de las ranuras laterales (generalmente en la parte exterior de la ventana). No coloque la tableta a través de la rejilla frontal.

## SOLUCIÓN DE PROBLEMAS

### El aparato no funciona

- El enchufe no está completamente insertado en el tomacorriente de pared
- Fusible o disyuntor quemado

### Refrigeración insuficiente

- El filtro de aire está sucio
- Flujo de aire bloqueado
- El tamaño del aparato es demasiado pequeño para la aplicación

### Ruido

- Los sonidos normales se enumeran en las instrucciones de funcionamiento
- Se pueden producir vibraciones o traqueteos por un soporte inadecuado en la instalación de la ventana, consulte las instrucciones de instalación para asegurarse de que la unidad esté instalada correctamente

### Agua goteando por dentro

- El electrodoméstico no tiene un ángulo adecuado para permitir que el agua se drene hacia el exterior

### Agua goteando afuera

- En días muy calurosos o húmedos, es normal que gotee agua de la parte posterior del aparato.

### Acumulación de escarcha

- Cuando la temperatura exterior es inferior a 18,3°C (65°F), se puede formar escarcha cuando el aparato está en modo de refrigeración.
- Cambie el aparato al modo de solo ventilador hasta que la escarcha se derrita

### El aire acondicionado se enciende y se detiene con frecuencia

- El filtro de aire está sucio y causa un flujo de aire insuficiente
- La temperatura exterior es excesivamente alta, ajuste la velocidad del ventilador más alta para llevar aire a través de los serpentines de enfriamiento más rápidamente

## GARANTÍA LIMITADA "A DOMICILIO"

Este producto de calidad está garantizado contra defectos de fabricación, incluyendo partes y mano de obra, siempre y cuando la unidad se utilice bajo las condiciones normales de funcionamiento para las que fue diseñado. Esta garantía está solamente disponible para la persona que haya comprado originalmente esta unidad directamente de Danby Products Limited (Canada) o Danby Products Inc. (U.S.A.) (en adelante "Danby") o uno de sus distribuidores autorizados, y no es transferible.

### CONDICIONES DE LA GARANTÍA

Las piezas plásticas, se autorizan por treinta (30) días solamente a partir de la fecha de la compra, sin las extensiones proporcionadas.

**Primeros 24 meses** Durante los primeros **veinticuatro (24) meses**, cualquier parte en buen estado de este producto que resulte defectuosa, incluyendo cualquier sistema sellado, será reparado o reemplazado, a opción del fabricante, sin cargo para el comprador original.

**Para obtener servicio** Comuníquese con el distribuidor donde haya comprado la unidad, o llame al Taller de Servicio Autorizado más cercano, donde debe ser reparada por un técnico calificado. Si esta unidad es reparada en otro lugar que no sea un Taller de Servicio Autorizado, o si la unidad se utiliza para aplicaciones comerciales, Danby no se hará responsable de ninguna forma y la garantía será anulada.

**Límites del servicio técnico a domicilio** Danby se reserva el derecho de limitar la cobertura de "Servicio en Domicilio" sujeto a la proximidad de un **Taller de Servicio Autorizado**. Para todo artefacto que requiera servicio fuera del área limitada de "Servicio en Domicilio", el cliente será responsable por transportar dicho artefacto hasta el Taller de Servicio Autorizado más cercano. Si el electrodoméstico está instalado en un lugar que se encuentra a **100 kilómetros (62 millas)** o más del centro de servicios más cercano, se debe llevar la unidad al Centro de servicios Danby autorizado más cercano, ya que dicho servicio sólo puede realizarlo un técnico calificado y certificado por Danby para prestar servicios de garantía.

Los cargos por transporte desde y hacia el lugar en que se efectúe el servicio técnico no están cubiertos por esta garantía y son de responsabilidad del comprador.

Nada dentro de esta garantía implica que Danby será responsable por cualquier daño que hayan sufrido los alimentos u otros contenidos de este aparato, ya sea debido a un defecto del aparato, o su uso, adecuado o inadecuado.

### EXCLUSIONES

Salvo lo aquí indicado por Danby, no existen otras garantías, condiciones o representaciones, explícitas o implícitas, concretas o intencionales por parte de Danby o sus distribuidores autorizados y todas las demás garantías, condiciones o representaciones, incluyendo cualquier garantía, condiciones o representaciones bajo cualquier Acta de Venta de Productos o legislación o estatuto similar, quedan de esta forma expresamente excluidas. **Salvo lo aquí indicado, Danby no serán responsables por ningún daño a personas o bienes, incluyendo la propia unidad, sin importar su causa, o de ningún daño indirecto causado por el desperfecto de la unidad, y al comprar esta unidad, el comprador acepta por la presente, indemnizar y proteger a Danby contra cualquier reclamo por daños a personas o bienes causados por la unidad.**

### CONDICIONES GENERALES

No se considerará ninguna de estas garantías o seguros cuando el daño o la necesidad de reparación sea el producto de los siguientes casos:

- 1) Falla del suministro eléctrico.
- 2) Daños en tránsito o durante el transporte de la unidad.
- 3) Alimentación incorrecta, como bajo voltaje, instalación eléctrica defectuosa o fusibles inadecuados.
- 4) Accidente, modificación, abuso o uso incorrecto del artefacto, tal como insuficiente ventilación del ambiente o condiciones de operación anormales (temperatura ambiente extremadamente alta o baja).
- 5) Utilización comercial o industrial (v.g., si el electrodoméstico no está instalado en una vivienda particular).
- 6) Incendio, daños por agua, robo, guerra, disturbios, hostilidades, actos de fuerza mayor como huracanes, inundaciones, etc.
- 7) Pedidos de servicio debido a desinformación del usuario.
- 8) Instalación inadecuada (v.g., instalación empotrada de un electrodoméstico diseñado como unidad independiente o uso de un electrodoméstico al aire libre que no esté aprobado para dicho fin, incluyendo pero no limitado a: garajes, patios, porches o en cualquier lugar que no esté bien aislado o controlado por el clima).

Se requerirá una prueba de la fecha de compra para reclamaciones de garantía; Retener las facturas de venta. En el caso de que se requiera servicio de garantía, presente el comprobante de compra a nuestro depósito de servicio autorizado.

**Servicio de Garantía**  
Servicio en Domicilio

Danby Products Limited  
PO Box 1778, Guelph, Ontario, Canada N1H 6Z9  
Telephone: (519) 837-0920 FAX: (519) 837-0449

**1-800-263-2629**  
04/17

Danby Products Inc.  
PO Box 669, Findlay, Ohio, U.S.A. 45840  
Telephone: (419) 425-8627 FAX: (419) 425-8629



Danby Products Limited, Guelph, ON, Canada N1H 6Z9  
Danby Products Inc., Findlay, Ohio, USA 45840