

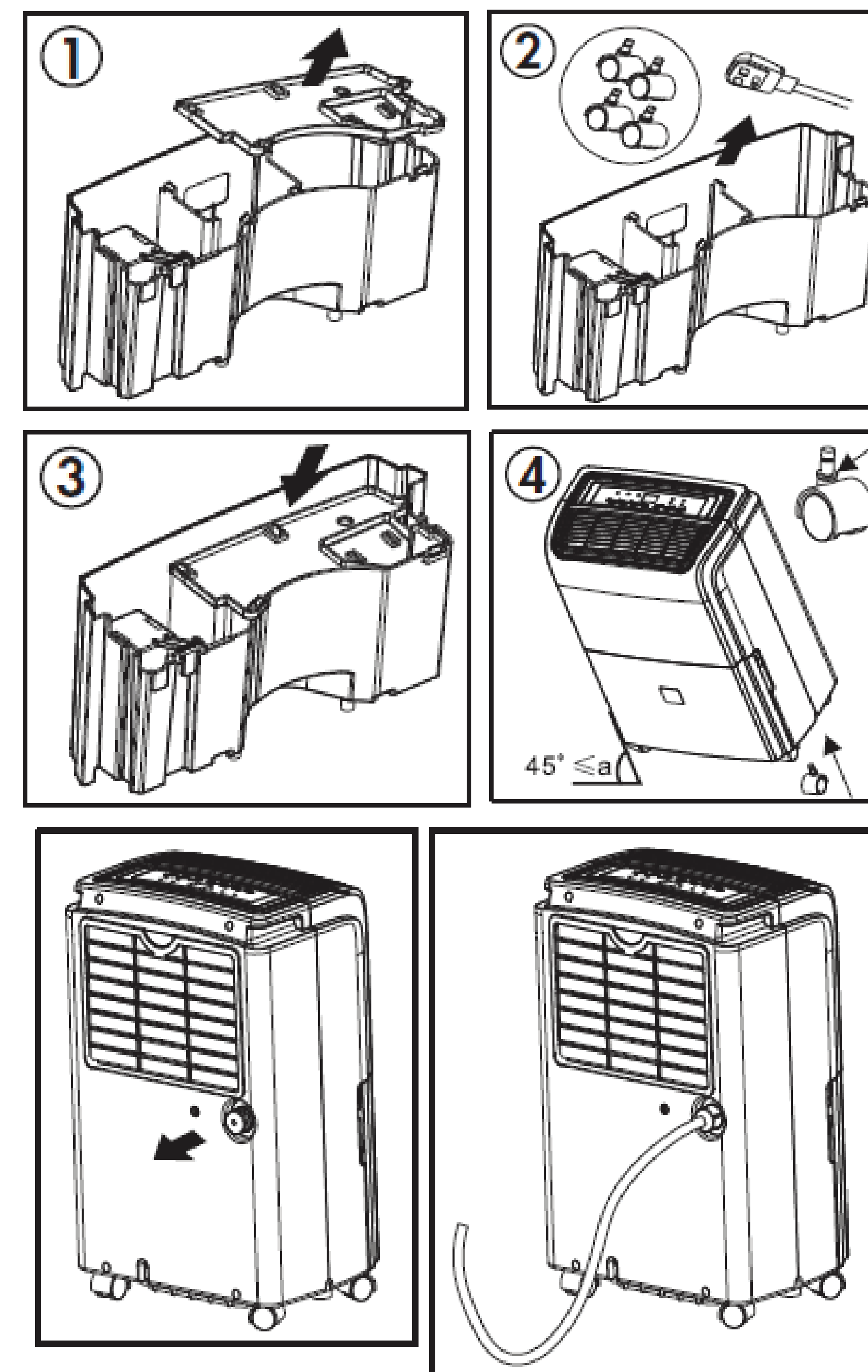
QUICK-START GUIDE FOR DEHUMIDIFIERS:

DDR030EBWDB | DDR040EBWDB | DDR050EBWDB

SETUP

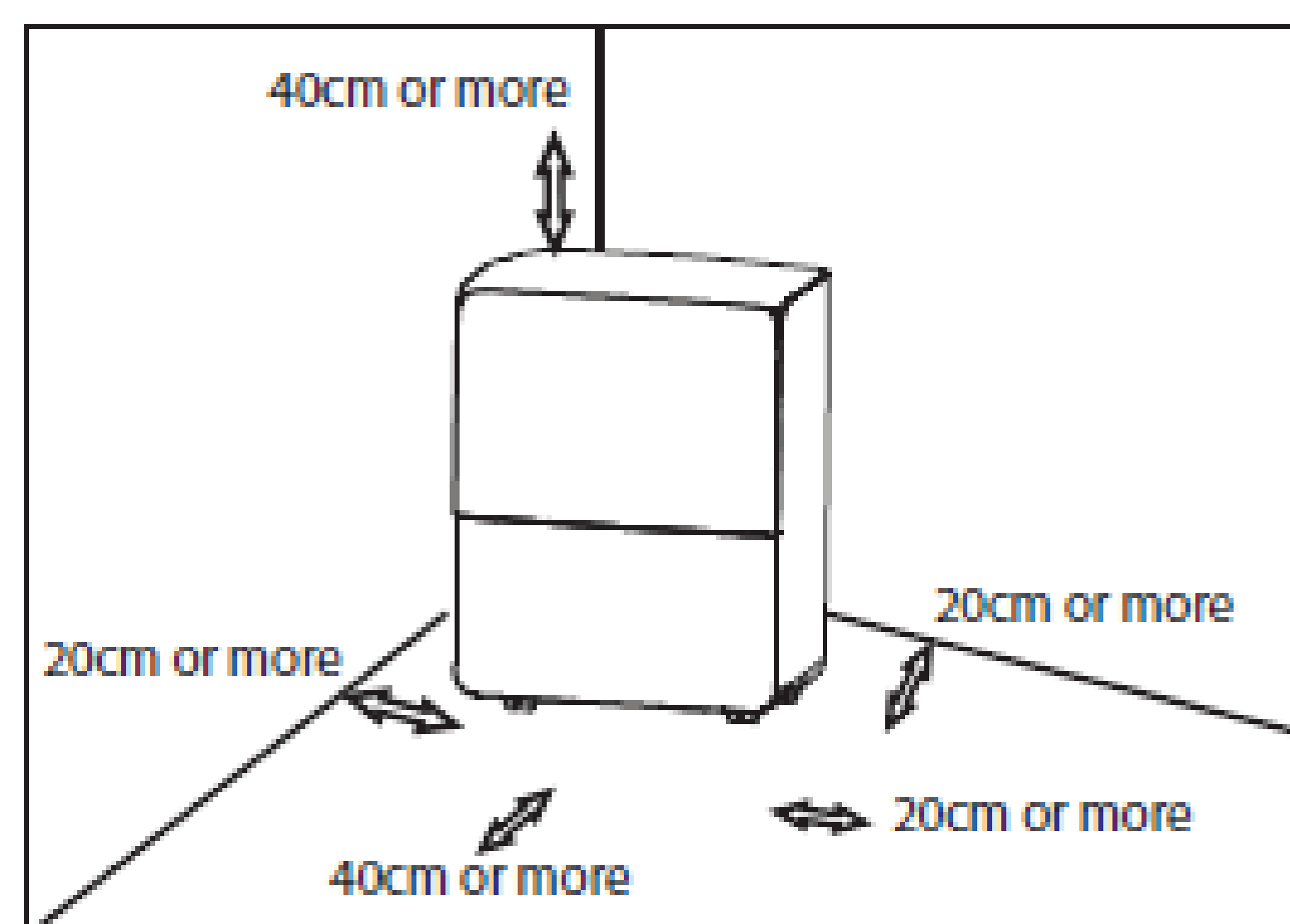
1 UNBOX THE DEHUMIDIFIER

- Take out the device from its packaging and allow to stand upright for 6 hours particularly if the device was placed on its back or side.
- Remove the bucket from the appliance and remove the bucket cover.
- Remove the casters and power cord from the water bucket.
- Replace the bucket cover and replace the bucket inside the appliance.
- Tilt the appliance to a 45° angle. Push the casters into the bottom of the appliance until they click. Ensure the ring around the caster is flush against the bottom of the appliance.
- Remove the tape or Styrofoam from bucket float. (Unit will not work otherwise)
- If continuous drain function is to be used, remove the cover from the continuous drain outlet, located at the back of the unit. Attach the continuous drain connector located in the water bucket, and attach the provided drain hose. Make sure to insert all the way to avoid water dripping.
- Ensure that the hose is not bent and goes straight down from the back of the appliance. The continuous drain is only activated by gravity so any bends or upward motion in the hose will stop the water from draining.



2 POSITIONING THE DEHUMIDIFIER

- Ensure that the device is placed on a smooth, level floor that is strong enough to support the appliance with a full bucket of water.
- Allow at least 20cm of air space on all sides of the unit for good air circulation (at least 40cm of air space on air outlet).
- For effectiveness, this is to be used in enclosed spaces only.



3 POWER THE DEHUMIDIFIER

- Plug the unit into an electrical socket outlet with earth connection. Do not plug to a multiple socket outlet that is being used for other electrical appliances.
- When first using the dehumidifier, operate the unit continuously for 24 hours. Make sure the plastic cover of the continuous drain hose outlet is installed properly so there are no leaks.

Note: The dehumidifier will not start unless the set humidity is lower than the ambient humidity. It is recommended in normal conditions to set the humidity between 45-45%.

OPERATING THE DEVICE

Please refer to the Owners Manual.