

# QUICK-START GUIDE FOR DEHUMIDIFIERS:

DDR050BJPWDB | DDR050BJPWDB-6

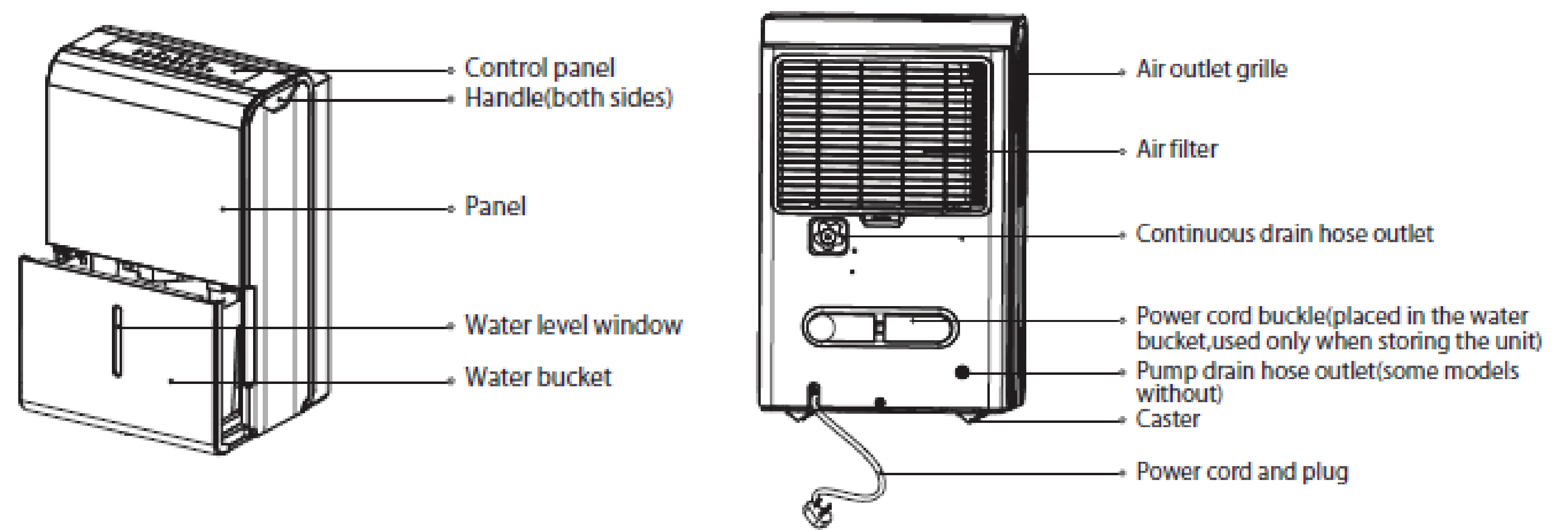
## SETUP

### 1 UNBOX THE DEHUMIDIFIER

Take out the device from its packaging and allow to stand upright for 6 hours particularly if the device was placed on its back or side.

Connect the power cord buckle in the bucket to the back of the unit.

Open water bucket, remove the tape or Styrofoam from bucket float. (Unit will not work otherwise).

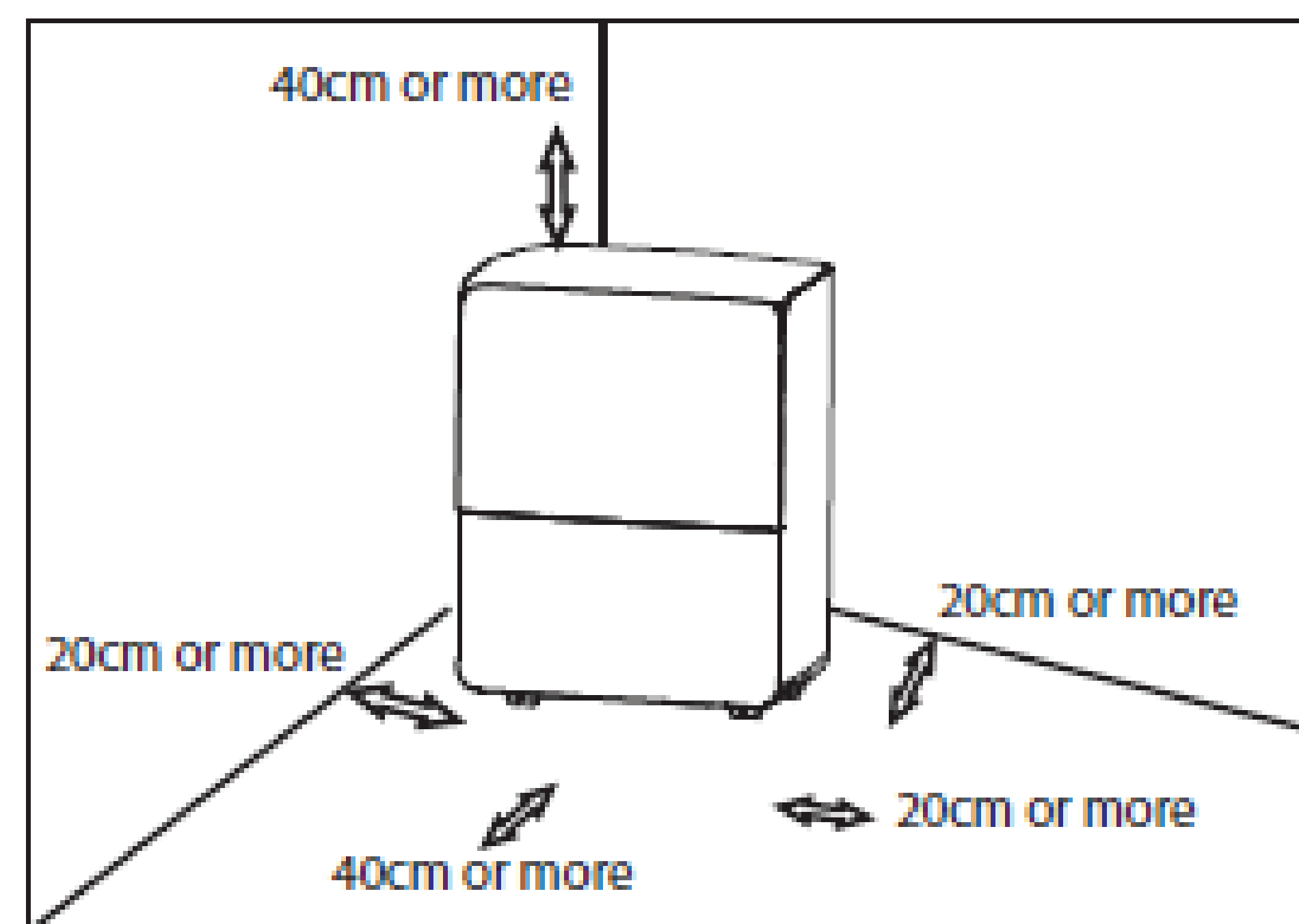


### 2 POSITIONING THE DEHUMIDIFIER

Ensure that the device is placed on a smooth, level floor that is strong enough to support the appliance with a full bucket of water.

Allow at least 20cm of air space on all sides of the unit for good air circulation (at least 40cm of air space on air outlet).

For effectiveness, this is to be used in enclosed spaces only.

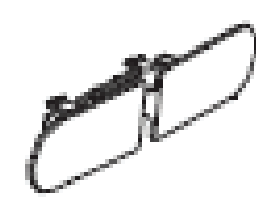


3 Take out the water bucket and remove accessories that might be contained in the bucket. Remove tapes or Styrofoam (where applicable) from bucket float. (Unit will not work otherwise)

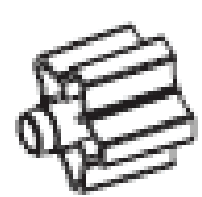
#### ACCESSORIES



Pump drain hose



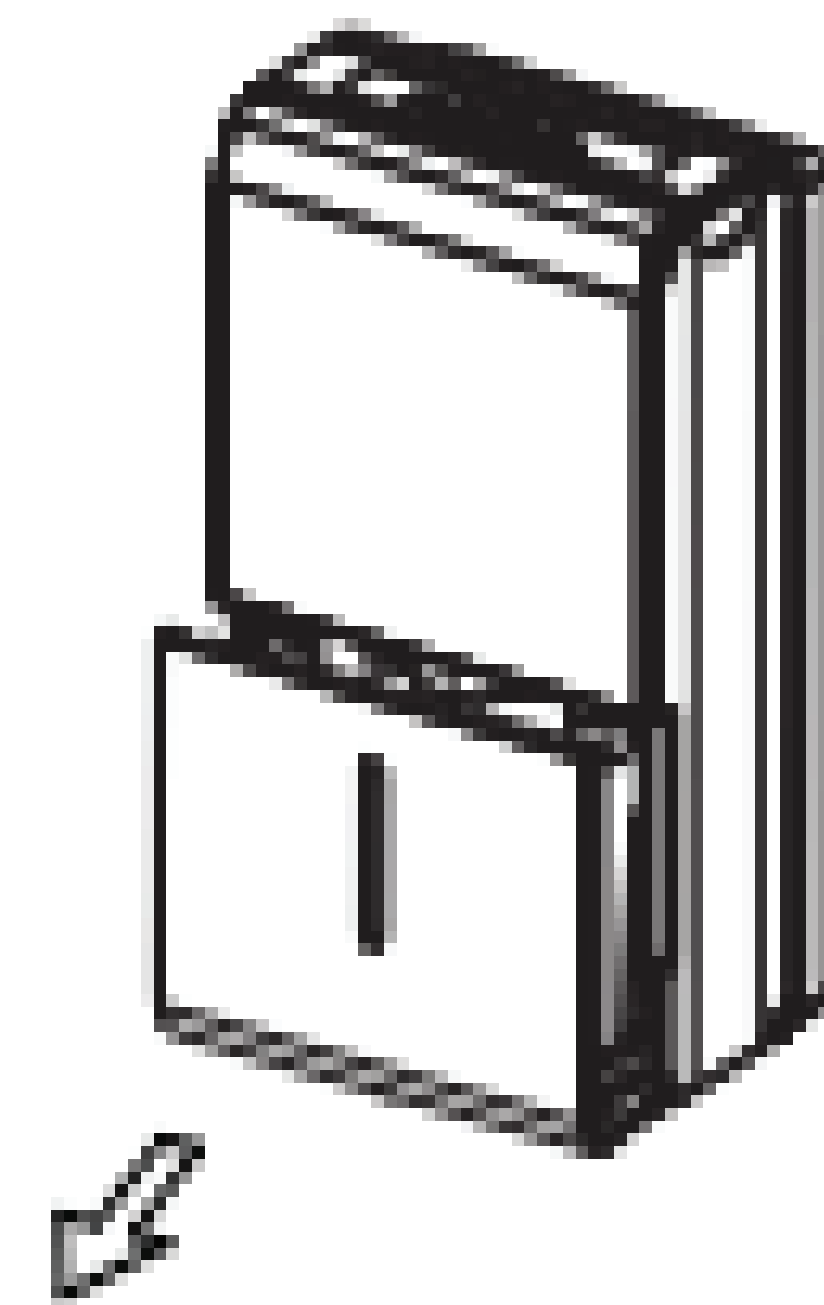
Power cord buckle



Direct drain connector



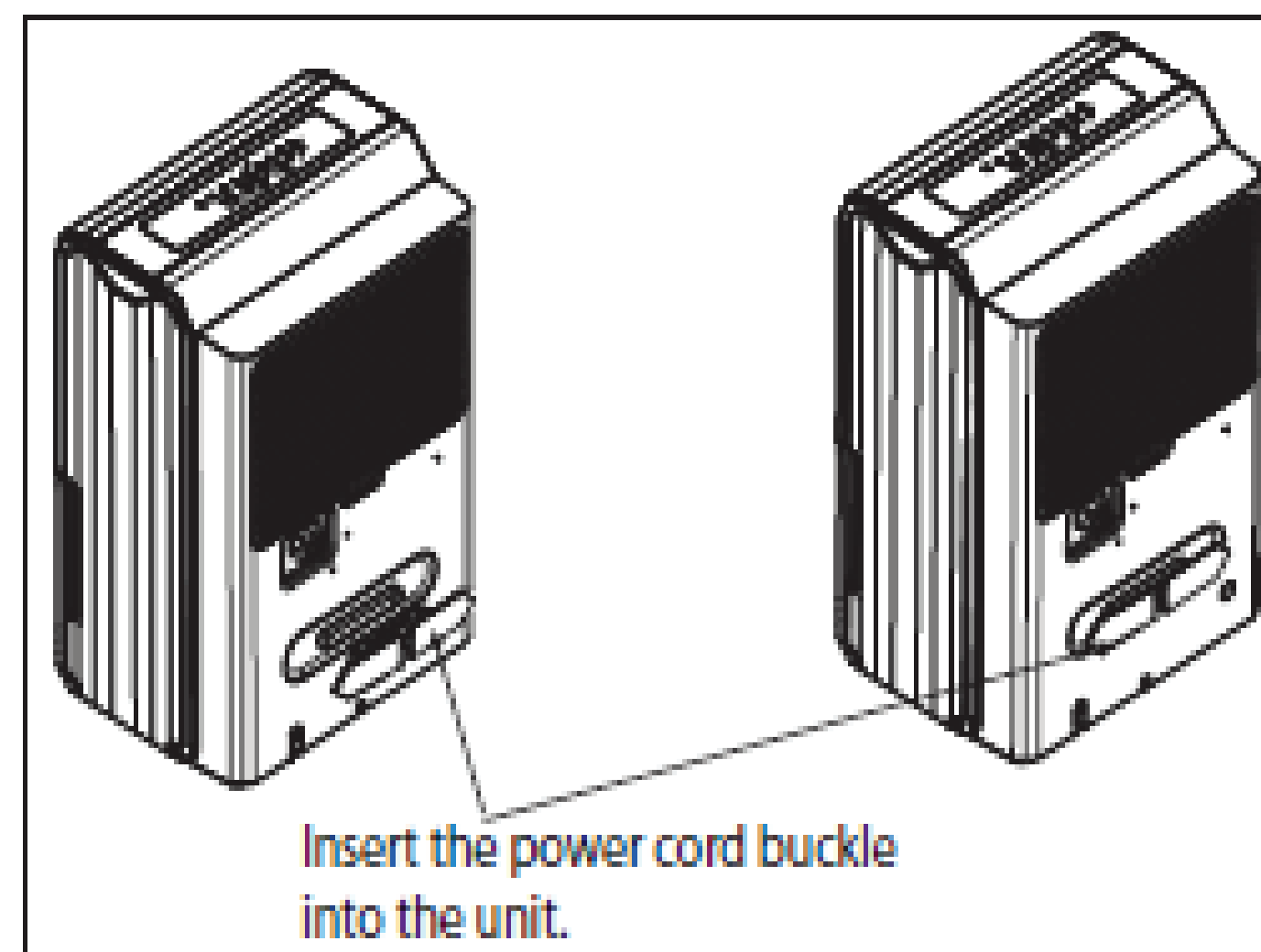
Direct drain hose (flexible PVC hose)



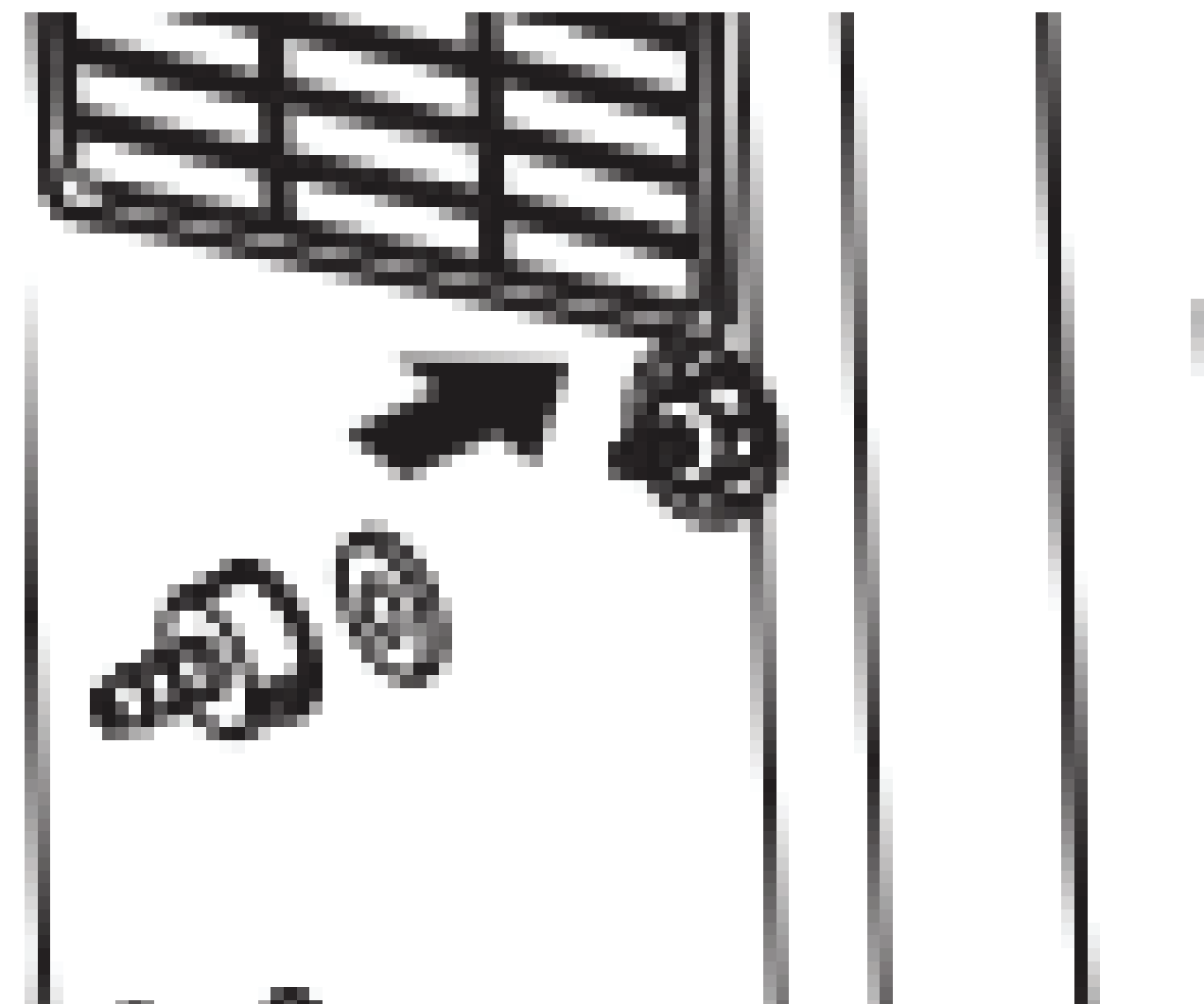
# QUICK-START GUIDE FOR DEHUMIDIFIERS:

DDR050BJPWDB | DDR050BJPWDB-6

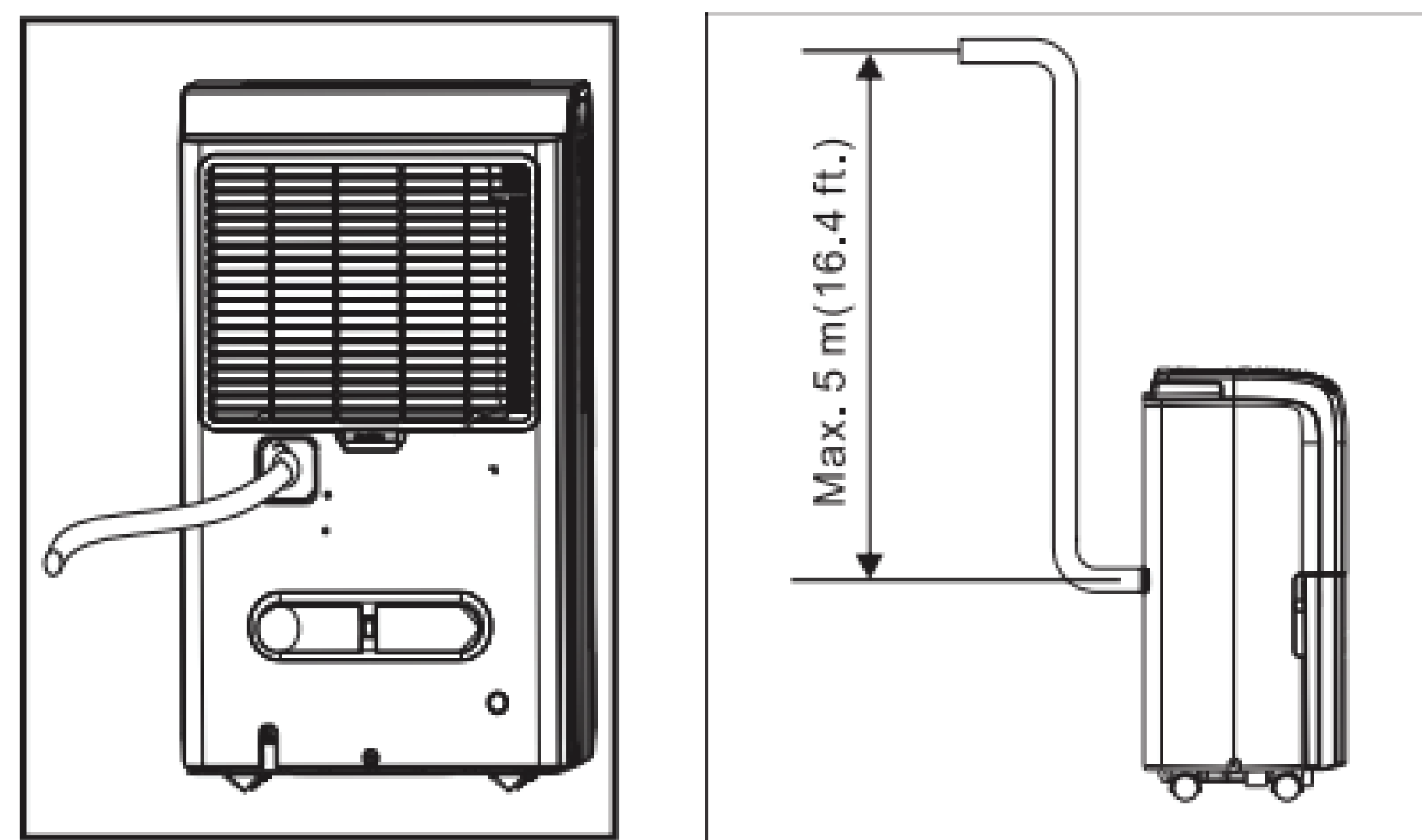
- 4** Connect the power cord buckle in the bucket to the back of the unit.



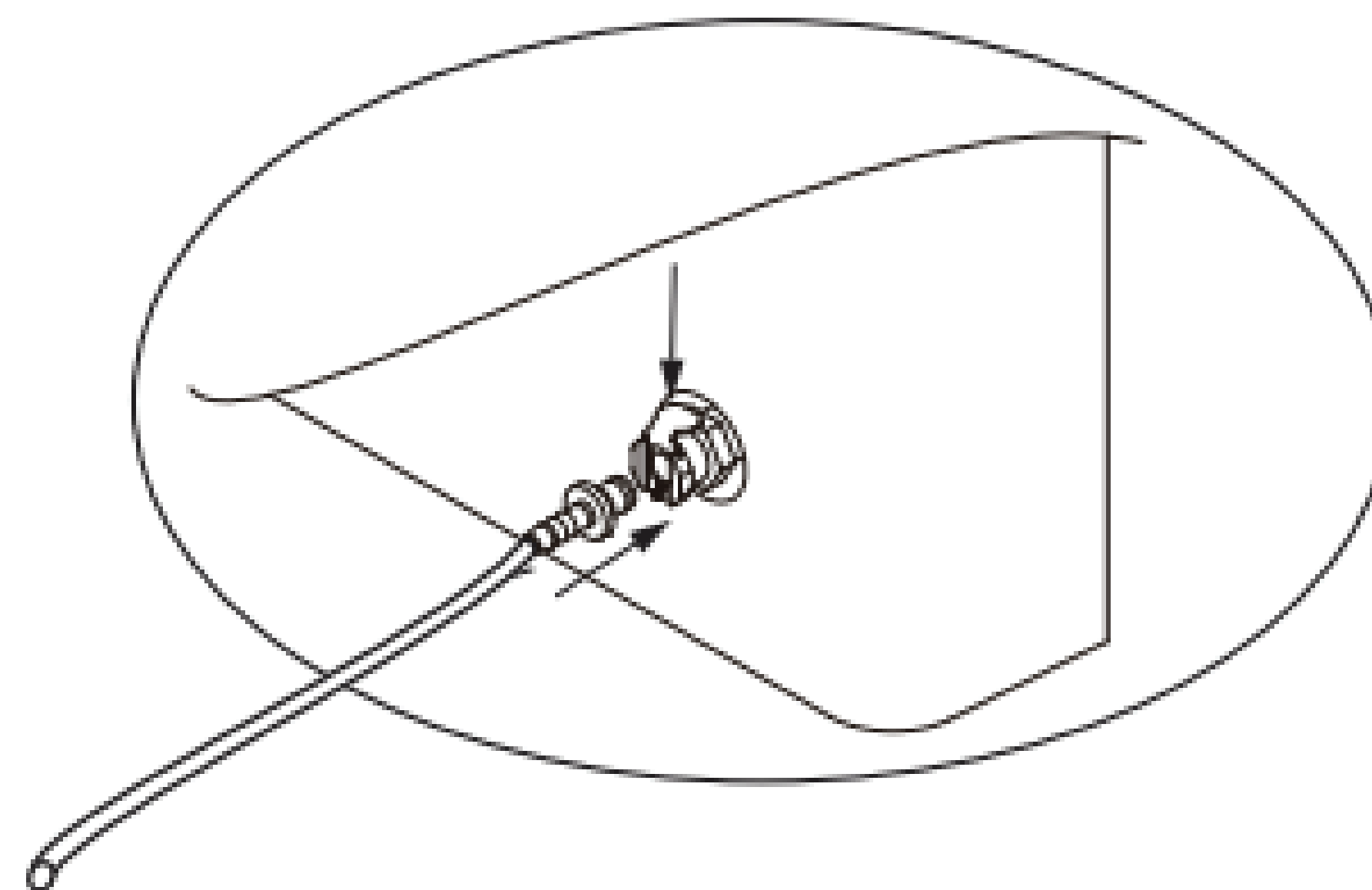
- 5** Screw the direct drain connector to the drain port. Ensure to screw tightly.



- 6** Insert the direct drain hose firmly into the connector to avoid leaking. (Maximum hose length 5m)



- 7** Insert the pump drain hose firmly into the pump drain port. (Bottom right)



## **8** POWER THE DEHUMIDIFIER

Plug the unit into an electrical socket outlet with earth connection. Do not plug to a multiple socket outlet that is being used for other electrical appliances.

When first using the dehumidifier, operate the unit continuously for 24 hours. Make sure the plastic cover of the continuous drain hose outlet is installed properly so there are no leaks.

Note: The dehumidifier will not start unless the set humidity is lower than the ambient humidity. It is recommended in normal conditions to set the humidity between 45-45%.

## OPERATING THE DEVICE

Please refer to the Owners Manual.