



OWNER'S MANUAL
MANUEL DU PROPRIÉTAIRE
MANUAL DEL PROPIETARIO

COMBINATION WASHER DRYER
Owner's Manual.....1 - 14

COMBINAISON LAVEUSE SECHEUSE
Manuel du propriétaire.....15 - 28

COMBINACIÓN LAVADORA SECADORA
Manual del propietario.....29 - 42

MODEL • MODÈLE • MODELO

DWM120WDB-3



Welcome

Welcome to the Danby family. We are proud of our quality products and we believe in dependable service. We suggest that you read this owner's manual before plugging in your new appliance as it contains important operation information, safety information, troubleshooting and maintenance tips to ensure the reliability and longevity of your appliance.

Visit www.Danby.com to access self service tools, FAQs and much more. For additional assistance call **1-800-263-2629**.

Note the information below; you will need this information to obtain service under warranty.

You must provide the original purchase receipt to validate your warranty and receive service.

Model Number: _____

Serial Number: _____

Date of Purchase: _____

Need Help?

Before you call for service, here are a few things you can do to help us serve you better.

Read this owner's manual:

It contains instructions to help you use and maintain your appliance properly.

If you receive a damaged appliance:

Immediately contact the retailer or builder that sold you the appliance.

Save time and money:

Check the troubleshooting section at the end of this manual before calling. This section will help you solve common problems that may occur.



1-800-26- Danby
(1-800-263-2629)



Important Safety Information

READ AND FOLLOW ALL SAFETY INSTRUCTIONS

SAFETY INSTRUCTIONS

WARNING: To reduce the risk of fire, electric shock or injury to persons when using this appliance, follow basic safety precautions, including the following:

- Do not wash articles that have been previously cleaned in, washed in, soaked in or spotted with gasoline, dry-cleaning solvents or other flammable or explosive substances as they give off vapors that could ignite or explode.
- Do not add gasoline, dry-cleaning solvents or other flammable or explosive substances to the wash water as they give off vapors that could ignite or explode.
- Under certain conditions, hydrogen gas may be produced in a hot water system that has not been used for 2 weeks or more. **HYDROGEN GAS IS EXPLOSIVE.** If the hot water system has not been used for such a period, turn on all hot water faucets and let the water flow for several minutes before using the washing machine. This will release any accumulated hydrogen gas. Do not smoke or use an open flame during this process.
- Always unplug the washing machine from the power supply before attempting any service. Disconnect the power cord by grasping the plug, not the cord.
- To reduce the risk of fire clothes, cleaning rags, mop heads and similar items which have traces of any flammable substance such as vegetable oil, cooking oil, petroleum based oils or distillates, waxes, fats, etc, must not be placed in the washing machine. These items contain flammable substances which ever after washing may smoke or catch fire.
- Never place items in the washer that have been dampened with gasoline or any combustible or explosive substance. Do not wash or dry anything that has been soaked or spotted with any type of oil including cooking oils. Doing so can result in fire, explosion or death.
- Do not allow children to play on or in the appliance. Close supervision of children is necessary when the appliance is used near children.
- Pets and children may climb into the machine. Check the appliance before every operation.
- The glass door or protector may be very hot during operation. Keep children and pets away from the appliance during operation.
- This appliance is not intended for use by persons (including children) whose physical, sensory or mental capabilities may be different or reduced, or who lack experience or knowledge, unless such persons receive supervision or training to operate the appliance by a person responsible for their safety.
- Children must be supervised to ensure they do not play with the appliance.
- When children become old enough to use the appliance, it is the legal responsibility of the parents or legal guardians to ensure that they are instructed in safe practices by qualified persons.
- Do not machine wash fiberglass materials such as curtains and window coverings that use fiberglass materials. Small particles may remain in the washing machine and stick to fabrics in subsequent wash loads causing skin irritation.
- Before the appliance is removed from service or discarded, remove the door and cut off the power cord.
- Do not reach into the appliance if the tub or agitator is moving.

SAVE THESE INSTRUCTIONS!



Important Safety Information

READ AND FOLLOW ALL SAFETY INSTRUCTIONS

- Do not install or store this appliance where it will be exposed to the weather.
- Do not tamper with the controls.
- Do not repair or replace any part of the appliance or attempt any servicing unless specifically recommended in the user maintenance instructions or in published user repair instructions that you understand and have the skills to carry out.
- Never stop a tumble dryer before the end of the program.
- Make sure that all pockets are emptied.
- Sharp and rigid items such as coins, nails, screws or stones etc, may cause serious damage to the appliance.
- Check whether the water inside the drum has drained before opening the door. Do not open the door if there is water visible.
- Do not disconnect the power cord from the power source with wet hands.
- To reduce the risk of fire do not dry articles containing foam rubber or similarly textured rubber like materials.
- If connected to a circuit protected by fuses, use time delay fuses with this appliance.
- Do not dry articles that have been previously cleaned in, washed in, soaked in or spotted with gasoline, dry-cleaning solvents or other flammable or explosive substances as they give off vapors that could ignite or explode.
- Do not add fabric softeners or products to eliminate static unless recommended by the manufacturer of the fabric softener or product.
- Do not use heat to dry articles containing foam rubber or similarly textured rubber-like materials.
- The interior of the appliance should be cleaned periodically by qualified service personnel.
- Do not place items exposed to cooking oils in the dryer. Items contaminated with cooking oils may contribute to a chemical reaction that could cause a load to catch fire.
- Packing materials can be dangerous to children. Keep all packing materials such as plastic bags, foam, etc, away from children.
- This appliance should not be installed in rooms that are very wet or likely to accumulate standing water.
- This appliance should not be installed in rooms that may accumulate flammable, explosive or caustic gasses.
- Ensure that the water and electrical devices are connected by a qualified technician in accordance with the manufacturer's instructions and local safety regulations.
- All packaging and transport bolts must be removed before operating this appliance.
- This appliance is for indoor use only.
- Do not climb or sit on the top of this appliance.
- Do not lean against the appliance door.
- Do not close the door with excessive force.
- Handle the appliance carefully. Do not use the door to lift or grip the appliance.
- Warnings and important safety instructions in this manual DO NOT cover all possible conditions and situations that may occur. It is your responsibility to use common sense, caution and care when installing, maintaining and operating this appliance.



Important Safety Information

READ AND FOLLOW ALL SAFETY INSTRUCTIONS

GROUNDING INSTRUCTIONS

This appliance must be grounded. Grounding reduces the risk of electrical shock by providing an escape wire for the electrical current.

This appliance has a cord that has a grounding wire with a 3-prong plug. The power cord must be plugged into an outlet that is properly grounded. If the outlet is a 2-prong wall outlet, it must be replaced with a properly grounded 3-prong wall outlet. The serial rating plate indicates the voltage and frequency the appliance is designed for.

WARNING - Improper use of the grounding plug can result in a risk of electric shock. Consult a qualified electrician or service agent if the grounding instructions are not completely understood, or if doubt exists as to whether the appliance is properly grounded.

Do not connect your appliance to extension cords or together with another appliance in the same wall outlet. Do not splice the power cord. Do not under any circumstances cut or remove the third ground prong from the power cord. Do not use extension cords or ungrounded (two prongs) adapters.

If the power supply cord is damaged, it must be replaced by the manufacturer, its service agent or similar qualified person in order to avoid hazard.

Any questions concerning power or grounding should be directed toward a certified electrician.

STATE OF CALIFORNIA PROP 65 WARNING

The California Safe Drinking Water and Toxic Enforcement Act requires the Governor of California to publish a list of substances known to the State of California to cause cancer, birth defects and other reproductive harm and requires businesses to warn of potential exposure to such substances.

This product contains copper in the power cord. Copper is a chemical known to the State of California to cause cancer, birth defects or other reproductive harm. This appliance can cause low-level exposure to substances including benzene, formaldehyde and carbon monoxide.

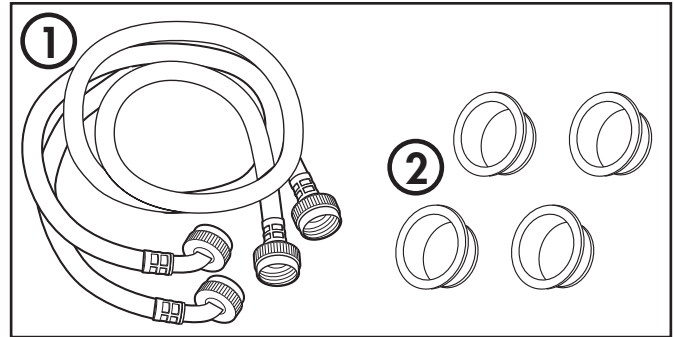
INSTALLATION INSTRUCTIONS

REQUIRED TOOLS

- 1/4" nut driver
- 3/8" socket with ratchet
- 3/8" open end wrench
- Adjustable wrench or 7/16" socket with ratchet
- Adjustable wrench or 9/16" open end wrench
- Channel lock adjustable pliers
- Carpenter's level

INCLUDED ACCESSORIES

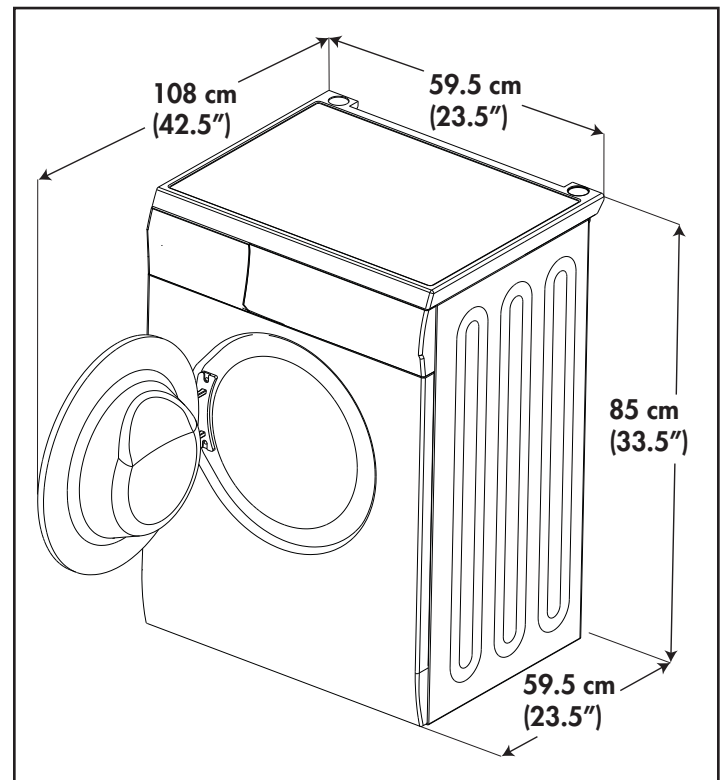
1. Two water hoses
2. Four transport hole plugs



LOCATION

- The location must be large enough to allow the appliance door to open fully. The door can open more than 90° and is not reversible.
- It is recommended to allow 2.5 cm of space on all sides of the appliance to reduce noise.
- The floor must be level and strong enough to support the appliance when it is fully loaded.
- It is not recommended to install this appliance on carpeting.
- The appliance must be located within 1.2 m (4 feet) of the water source and a drain.
- The appliance must be located within 1.8 m (6 feet) of a properly grounded power outlet.
- Do not operate this appliance in temperatures below 0°C (32°F) as water inside the hoses or appliance could freeze and damage the appliance.
- Avoid placing the appliance in direct sunlight.
- Do not place the appliance near heat sources.

DIMENSIONS



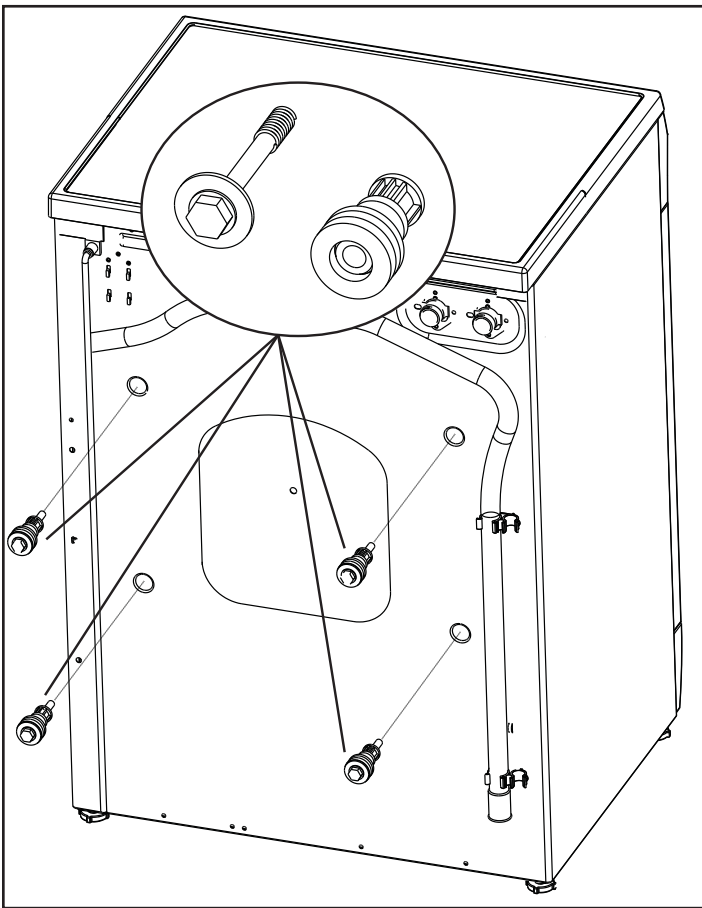
INSTALLATION INSTRUCTIONS

TRANSPORT BOLTS

Remove all packaging materials from the appliance. Please dispose of packing materials properly. Do not allow children to play with packing materials.

Before using this appliance, the transport bolts must be removed from the back.

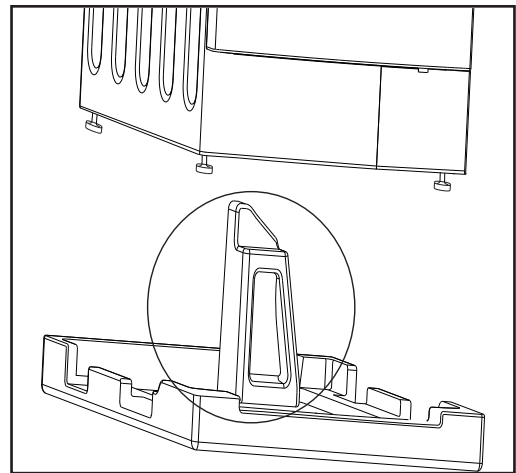
1. Loosen the four transport bolts using a wrench and remove them.
2. Cover the holes with the provided transport hole plugs.
3. The transport bolts secure the inner tub of the appliance during transportation. Keep the transport bolts for future use.



TRANSPORT FOAM

Ensure that the transport foam is removed from the under side of the appliance. This foam holds the motor and tub steady during transportation and must be removed before using the appliance.

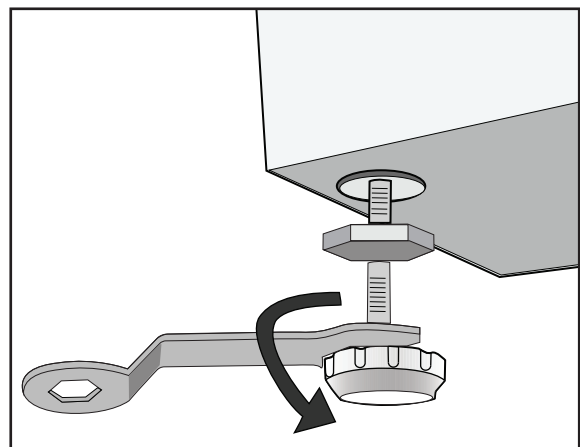
If the foam does not come out all in one piece, put the appliance on its side and ensure that all foam is removed from the inside of the appliance before using it for the first time.



LEVEL THE APPLIANCE

There are four adjustable feet on the four corners of the appliance. If the appliance is not level, follow these instructions.

1. Loosen the lock nut securing the adjustable feet.
2. Turn the feet until the appliance is level.
3. Tighten the lock nuts to ensure the feet stay secure.



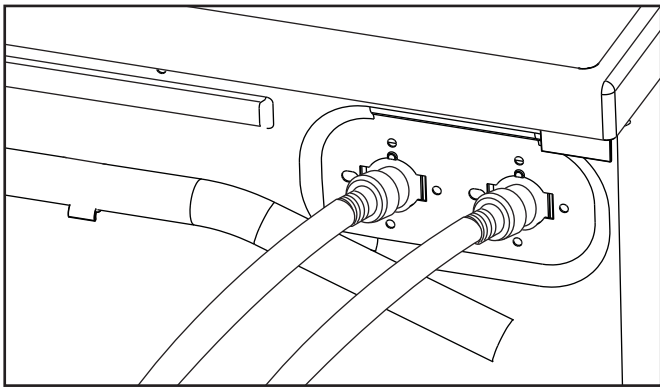
INSTALLATION INSTRUCTIONS

INLET HOSE CONNECTION

This appliance can be connected using one hose or two, depending on how many connections are available at the water supply.

If only one faucet is available, use the cold water connection on the back of the appliance. If two faucets are available, then both water connections can be used.

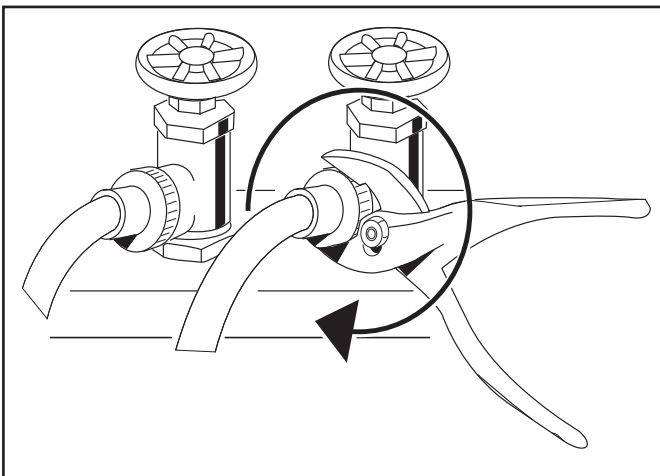
First, connect the provided inlet hoses to the back of the appliance. The hot water connection is on the left and the cold water connection is on the right.



WATER SUPPLY

Connect the inlet hoses to the water supply faucets. Tighten the connections with a wrench.

Turn on the water supply before using the appliance and ensure that there are no leaks at any water connections.

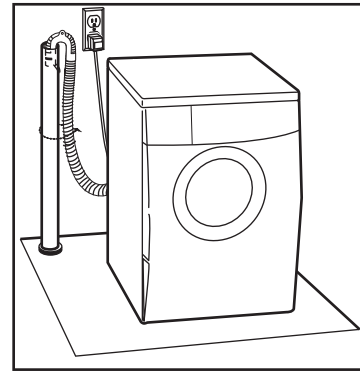


DRAIN HOSE INSTALLATION

The drain hose will arrive pre-attached to the appliance. When running the drain hose toward a sink, standpipe or drain, ensure that there are no bends in the hose as this can cause a blockage and impede the drain function.

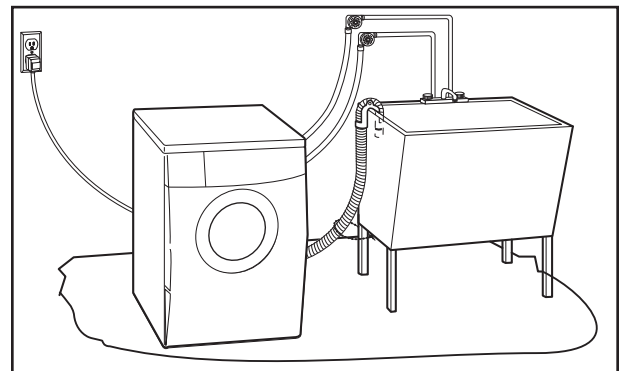
Standpipe drain system

A standpipe drain requires a minimum diameter of 2" (5 cm). The capacity must be at least 17 gallons (64 liters) per minute. The top of the standpipe must be at least 60 cm high and no higher than 100 cm from the bottom of the washer.



Laundry tub drain system

The laundry tub must have a minimum capacity of 20 gallons (76 liters). The top of the laundry tub must be at least 60 cm above the floor.

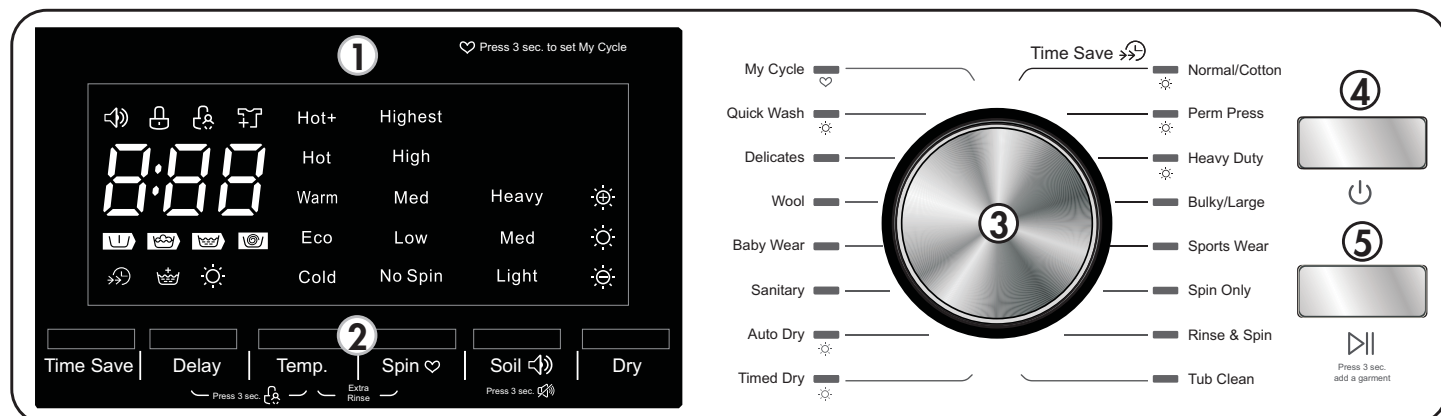


Floor drain system

The floor drain system requires a siphon break that must be purchased separately. The siphon break must be a minimum of 28" (71 cm) from the bottom of the washer.

OPERATING INSTRUCTIONS

CONTROL PANEL



- 1. Display panel:** displays the current program and status.
- 2. Function setting:** shows the current function setting.
- 3. Program button:** used to select the desired program.
- 4. Power button:** used to turn the appliance on or off.
- 5. Start/Pause button:** used to start a new program or pause a program already in progress.

AVAILABLE PROGRAMS

My Cycle: used to set and remember a favourite cycle. Set the desired favourite program and then press and hold Spin 3sec to remember it. Press this button at any time to start the set favourite cycle. The default favourite cycle is Perm Press.

Quick Wash: Extra short program for lightly soiled items.

Delicates: for delicate washable materials like silk, satin or synthetic.

Wool: for wool washable materials. Check the label to ensure it says "machine wash" and choose the wash temperature as per the clothing label.

Baby Wear: used for baby clothing.

Sanitary: a high temperature wash suitable for difficult to wash clothes.

Auto Dry: use to allow the appliance to set the dry time based on the remaining moisture in the wash load.

Timed Dry: use to set a specific dry time.

AVAILABLE PROGRAMS

Normal/Cotton: use for hard wearing and heat resistant textiles made of cotton or linen.

Perm Press: use for normal load of laundry.

Heavy Duty: use for heavy loads such as towels or jeans.

Bulky/Large: use for bulky or large items such as blankets.

Sports Wear: use for washing active wear.

Spin Only: use to add an extra spin cycle to the program.

Rinse & Spin: use to add an extra rinse & spin cycle to the program.

Tub Clean: used to clean the inside of the appliance. It applies high temperature sterilization to clean the drum of the washing machine. Do not add any clothing to this cycle, only vinegar or bleach. Use whenever necessary.

OPERATING INSTRUCTIONS

WASH AND DRY CYCLE TABLE

The parameters outlined in this table are for reference purposes only. Actual cycle times and temperatures can vary.

Normal/Cotton is the standard wash program and is suitable to clean most normally soiled items. It is the most efficient program in terms of water and energy usage.

Program	Wash / Dry Load (kg)	Temperature (°C)	Time (hours)	Spin Speed
Normal / Cotton	12 / 6	Warm	1:04 / 2:36	Medium
Perm Press	6	Warm	4:58	High
Heavy Duty	12 / 6	Hot	1:04 / 2:36	Medium
Bulky / Large	6	Warm	2:18	Medium
Sport Wear	6	Warm	2:08	Medium
Spin Only	12	N/A	0:12	High
Rinse & Spin	12	N/A	0:20	High
Tub Clean	N/A	Hot	1:58	N/A
Timed Dry	0.5 / 1.0 / 2.5	N/A	1:28	Highest
Auto Dry	8	N/A	4:18	Highest
Sanitary	6	Hot	3:09	Medium
Baby Wear	12	Eco	1:39	Medium
Wool	2	Warm	1:37	Low
Delicates	2.5	Eco	1:00	Low
Quick Wash	2	Cold	2:13	Medium

Important: Do not attempt to dry a full load of laundry. A half load is the maximum for all dry cycles.

Note: The default display time is only the wash time. The drying time will display when a drying cycle is chosen.

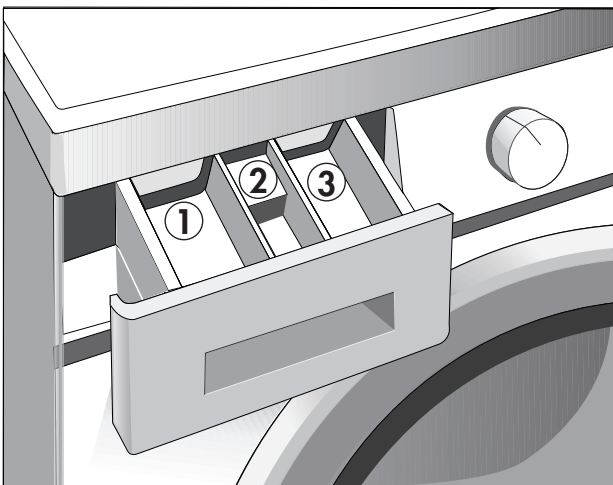
OPERATING INSTRUCTIONS

DETERGENT

This appliance is designed for high efficiency detergent. It is recommended to use 1/4 to 1/2 of the amount of detergent recommended by the detergent manufacturer. Remember to reduce the amount of detergent if the load is small or lightly soiled or if the water supply is very soft water.

There are three compartments in the detergent dispenser on the front of the appliance.

1. Main detergent compartment.
 - Never exceed the manufacturer's recommendations when adding detergent.
 - Powder or liquid detergent can be used.
2. Fabric softener compartment.
 - This compartment holds liquid fabric softener that will be dispensed automatically during the final rinse cycle.
 - Do not exceed the maximum fill line.
 - Adding fabric softener is optional.
3. Pre-wash detergent compartment.
 - Do not use more than 1/2 of the amount that is put into the main detergent compartment.
 - Adding pre-wash detergent is optional and should only be used for heavily soiled loads.



FUNCTION INSTRUCTION

Prior to starting the washing machine, check the following:

- The drain hose is in the correct position.
- There are no leaks in the inlet hoses when the faucets are turned on.
- The power cord is properly plugged into a three prong grounded outlet.
- All coins and loose items have been removed from clothing.
- Place clothing into the washing machine. Drop items loosely into the tub. Do not pack items tightly. Items must be able to move freely through the wash water for best cleaning results.
- Follow the instructions to set the desired wash program.
- Add the desired amount of detergent.
- Close the door and press the start/pause button to begin the desired program.
- A wash program can be paused once it is in operation by pressing the start/pause button.
- The appliance will not operate if the lid is open.
- When a program is finished, an alarm will sound.
- During the drying cycle, water removed from the wash load will be drained through the drain hose. Ensure that the drain hose remains in place during the drying cycle.

OPERATING INSTRUCTIONS

TIME SAVE FUNCTION

This function can decrease washing time.

Note: The time save function can be used on the following cycles: normal/cotton, perm press, heavy duty, bulky/large and sports wear.

CHILD LOCK FUNCTION

The child lock will lock the control panel so that options cannot be chosen or changed by accident.

Press and hold the function and select buttons at the same time for 3 seconds to engage the child lock.

Repeat this procedure to disengage the child lock.

TIME DELAY FUNCTION

The time delay function can be used to set the appliance to run at a later time.

To set the time delay function:

1. Select the desired wash and dry program.
2. Press the delay button repeatedly to choose the amount of time before the appliance will run the chosen cycle.
3. Press the start/pause button to confirm the selections. The appliance will count down the delay time and will begin the chosen program when the time runs out.

Note: If power to the appliance is lost during the time delay period, the appliance will remember the program when power is restored and will continue the count down.

ADDING AN ITEM

It is possible to add a forgotten item to the appliance when a wash program is already running.

To add a forgotten item:

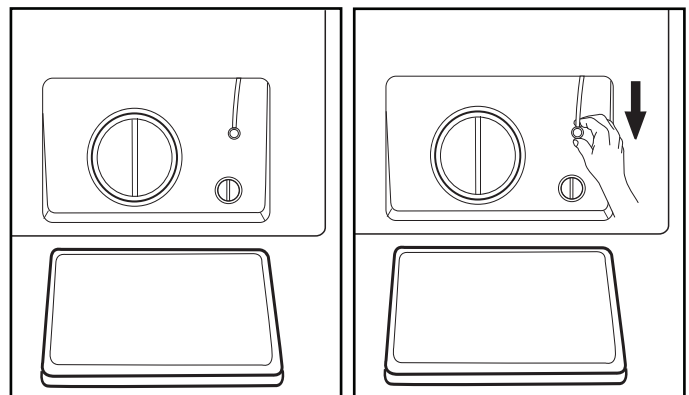
1. Press and hold the start/pause button for 3 seconds to pause the current program.
2. Wait until the drum stops rotating, the water level is below the bottom of the door and the door is unlocked.
3. Add the forgotten item and close the door.
4. Press the start/pause button to resume functioning.

Note: Do not add an item when the water level is higher than the bottom of the door as this can cause water to leak out of the appliance.

Caution: The inside of the appliance may be hot. Use caution when adding a forgotten item to a wash program.

EMERGENCY DOOR RELEASE

In case of a power failure or other circumstances where the door cannot be opened, there is an emergency door release on the front of the appliance. Open the filter door and pull down on the emergency cord to open the door.



CARE & MAINTENANCE

CLEANING

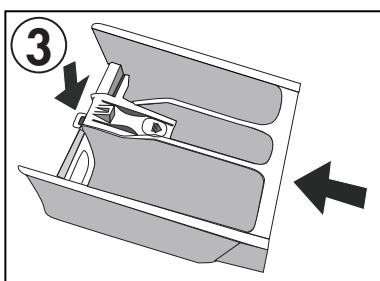
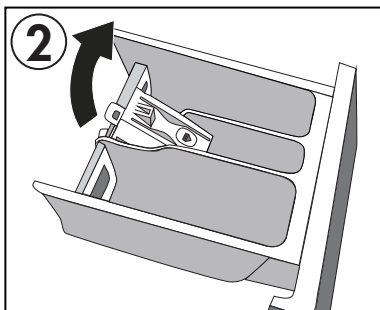
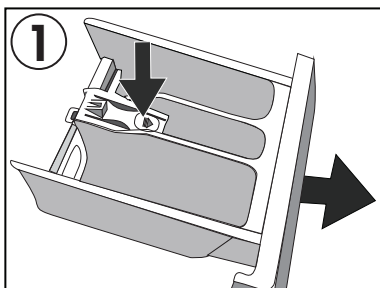
Before performing any cleaning or maintenance, ensure that the water inlet hose has been disconnected and that the power cord has been unplugged.

Clean the outside of the appliance with a warm, damp cloth. Avoid using detergents or chemicals as this can damage or discolor the cabinet.

DETERGENT TRAY

The detergent dispenser may occasionally need to be cleaned of accumulated detergent.

1. Press down at the indicated location and pull the dispenser outward.
2. Lift the slip and remove the softener cover. Wash the dispenser with warm water.
3. Replace the softener cover and replace the dispenser in the appliance.



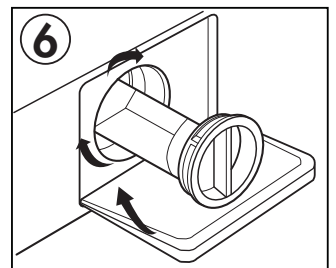
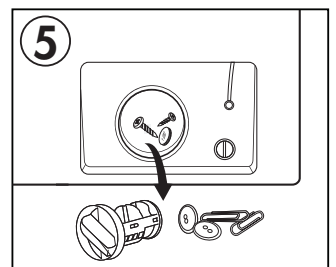
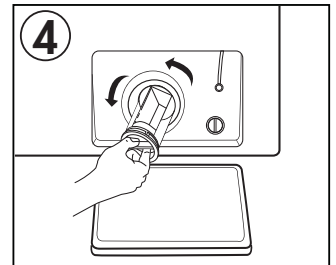
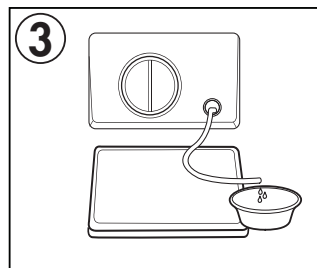
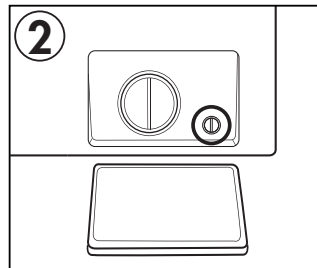
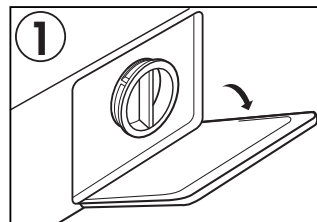
FAUCET FILTER

There is a filter inside the inlet hose that may need to be cleaned of accumulated debris or hard water scale. Ensure the water supply is turned off before cleaning. Remove the inlet hose from the faucet and rinse with water.

DRAIN PUMP FILTER

The drain pump filter on the front of the appliance should be periodically cleaned of any accumulated debris.

1. Open the drain cover.
2. Rotate 90° and pull out the lower drain hose.
3. Drain any accumulated water in a drain or vessel.
4. Open the filter by turning it clockwise.
5. Remove any debris and rinse the filter with water.
6. Replace the filter and close the drain cover.



TROUBLESHOOTING

Danby Consumer Care: 1-800-263-2629

Hours of operation:

Monday to Thursday 8:30 am - 6:00 pm Eastern Standard Time

Friday 8:30 am - 4:00 pm Eastern Standard Time

Information in this manual is subject to change without notice.

PROBLEM	POSSIBLE CAUSE
Washer does not operate	<ul style="list-style-type: none">• Not plugged in.• The circuit breaker tripped or a blown fuse.• The door is not closed.• The water source is not turned on.
No water or insufficient water supply	<ul style="list-style-type: none">• The water source is not turned on.• The water inlet hose is bent.• The filter screen in the water inlet is clogged.
The washing machine does not drain	<ul style="list-style-type: none">• The drain hose is bent.• There is a problem with the drain pump.
Washing machine vibrates or is too noisy	<ul style="list-style-type: none">• The washer is not level.• The washing machine is touching another object.• The laundry load is not balanced.
Washing machine does not spin	<ul style="list-style-type: none">• The door is not closed.• The washer is not level.
Water filling and draining at the same time	<ul style="list-style-type: none">• Ensure drain hose is elevated 0.7 m to 1.2 m off the floor; if the drain hose is too low it can cause water to siphon out of the appliance as it fills
Cabinet leaking from bottom	<ul style="list-style-type: none">• Tub is overloaded• Water level is too high for the amount of washing
Abnormal noise	<ul style="list-style-type: none">• Ensure the transport bolts have been removed• Ensure the appliance is level

ERROR CODES

E30 - Door is not closed properly

E10 - Water pressure is too low or drain pump installed incorrectly

E21 - Water is not draining correctly

E12 - Water overflow

EXX - Other error

LIMITED "IN HOME" WARRANTY

This quality product is warranted to be free from manufacturer's defects in material and workmanship, provided that the unit is used under the normal operating conditions intended by the manufacturer.

This warranty is available only to the person to whom the unit was originally sold by Danby Products Limited (Canada) or Danby Products Inc. (U.S.A.) (hereafter "Danby") or by an authorized distributor of Danby, and is non-transferable.

TERMS OF WARRANTY

Plastic parts are warranted for thirty (30) days from the date of purchase, with no extensions provided.

First 12 months During the first **twelve (12) months**, any functional parts of this product found to be defective, will be repaired or replaced, at warrantor's option, at no charge to the original purchaser.

To obtain service Contact the dealer where the unit was purchased, or contact the nearest authorized Danby service depot, where service must be performed by a qualified service technician. If service is performed on the unit by anyone other than an authorized service depot, all obligations of Danby under this warranty shall be void.

Boundaries of in-home service Danby reserves the right to limit the boundaries of "In Home Service" to the proximity of an authorized service depot. Any appliance requiring service outside the limited boundaries of "In Home Service", will be the consumer's responsibility to transport at their own expense to the original point of purchase or a service depot for repair. If the appliance is installed in a location that is **100 kilometers (62 miles)** or more from the nearest service center, it must be delivered to the nearest authorized Danby Service Depot by the purchaser.

Transportation charges to and from the service location are not protected by this warranty and are the responsibility of the purchaser.

Nothing within this warranty shall imply that Danby will be responsible or liable for any spoilage or damage to food or other contents of this appliance, whether due to any defect of the appliance, or its use, whether proper or improper.

EXCLUSIONS

Save as herein provided, by Danby, there are no other warranties, conditions, representations or guarantees, express or implied, made or intended by Danby or its authorized distributors and all other warranties, conditions, representations or guarantees, including any warranties, conditions, representations or guarantees under any Sale of Goods Act or like legislation or statute is hereby expressly excluded. Save as herein provided, **Danby shall not be responsible for any damages to persons or property, including the unit itself, howsoever caused or any consequential damages arising from the malfunction of the unit and by the purchase of the unit, the purchaser does hereby agree to indemnify and hold harmless Danby from any claim for damages to persons or property caused by the unit.**

GENERAL PROVISIONS

No warranty or insurance herein contained or set out shall apply when damage or repair is caused by any of the following:

- 1) Power failure.
- 2) Damage in transit or when moving the appliance.
- 3) Improper power supply such as low voltage, defective house wiring or inadequate fuses.
- 4) Accident, alteration, abuse or misuse of the appliance such as inadequate air circulation in the room or abnormal operating conditions (ie. extremely high or low room temperature).
- 5) Use for commercial or industrial purposes (ie. If the appliance is not installed in a domestic residence).
- 6) Fire, water damage, theft, war, riot, hostility, acts of God such as hurricanes, floods etc.
- 7) Service calls resulting in customer education.
- 8) Improper Installation (ie. Building-in of a free standing appliance or using an appliance outdoors that is not approved for outdoor application, including but not limited to: garages, patios, porches or anywhere that is not properly insulated or climate controlled).

Proof of purchase date will be required for warranty claims; retain bills of sale. In the event that warranty service is required, present the proof of purchase to our authorized service depot.

**Warranty Service
In Home**

Danby Products Limited
PO Box 1778, Guelph, Ontario, Canada N1H 6Z9
Telephone: (519) 837-0920 FAX: (519) 837-0449

1-800-263-2629
04/17

Danby Products Inc.
PO Box 669, Findlay, Ohio, U.S.A. 45840
Telephone: (419) 425-8627 FAX: (419) 425-8629

Bienvenue

Bienvenue à la famille Danby. Nous sommes fiers de la qualité de nos produits et nous croyons au service fiable. Nous vous suggérons de lire ce manuel d'utilisation avant de brancher votre nouvel appareil, car il contient des informations importantes sur l'utilisation, la sécurité, le dépannage et la maintenance, afin d'assurer la fiabilité et la longévité de votre appareil.

Visitez www.Danby.com pour accéder aux outils d'autoservice, aux FAQ et bien plus encore. Pour obtenir de l'aide supplémentaire, composez le **1-800-263-2629**.

Notez les informations ci-dessous; Vous aurez besoin de cette information pour obtenir un service sous garantie.

Vous devez fournir le reçu d'achat original pour valider votre garantie et recevoir le service.

Numéro de modèle : _____

Numéro de serie : _____

Date d'achat : _____

Besoin d'assistance?

Avant d'appeler pour le service, voici quelques choses que vous pouvez faire pour nous aider à mieux vous servir.

Lire ce manuel du propriétaire :

Il contient des instructions pour vous aider à utiliser et à entretenir votre appareil correctement.

Si vous recevez un appareil endommagé :

Contactez immédiatement le revendeur ou l'entrepreneur qui vous a vendu l'appareil.

Gagnez du temps et de l'argent :

Avant d'appeler pour le service, consultez la section de dépannage à la fin de ce manuel. Cette section vous aidera à résoudre les problèmes courants pouvant survenir.



1-800-26- Danby
(1-800-263-2629)



Consignes de sécurité importantes

LIRE ET SUIVRE TOUTES LES INSTRUCTIONS DE SÉCURITÉ

CONSIGNES DE SÉCURITÉ

ATTENTION: Pour réduire les risques d'incendie, de choc électrique ou de blessure aux personnes lors de l'utilisation de cet appareil, suivez les consignes de sécurité élémentaires, notamment les suivantes:

- Ne lavez pas d'articles ayant déjà été nettoyés, trempés ou essorés d'essence, de solvants de nettoyage à sec ou d'autres substances inflammables ou explosives, car ils dégagent des vapeurs susceptibles de s'enflammer ou d'exploser.
- N'ajoutez pas d'essence, de solvants de nettoyage à sec ou d'autres substances inflammables ou explosives à l'eau de lavage car ils dégagent des vapeurs pouvant s'enflammer ou exploser.
- Dans certaines conditions, de l'hydrogène peut être produit dans un système d'eau chaude qui n'a pas été utilisé depuis 2 semaines ou plus. **L'HYDROGENE EST UN GAZ EXPLOSIF.** Si le système d'eau chaude n'a pas été utilisé pendant une telle période, ouvrez tous les robinets d'eau chaude et laissez l'eau couler pendant plusieurs minutes avant d'utiliser le lave-linge. Cela libérera tout gaz d'hydrogène accumulé. Ne pas fumer ou utiliser une flamme nue pendant ce processus.
- Débranchez toujours le lave-linge du secteur avant toute tentative d'entretien. Débranchez le cordon d'alimentation en saisissant la fiche et non le cordon.
- Afin de réduire les risques d'incendie, ne placez pas dans l'appareil des vêtements, chiffons, têtes de vadrouille et articles similaires présentant des traces de substances inflammables, tels que de l'huile végétale, de l'huile de cuisine, des huiles à base de pétrole, des distillats, des cires, etc. Ces articles contiennent des substances inflammables qui peuvent, après le lavage, fumer ou prendre feu.
- Ne jamais placer dans la machine à laver des articles qui ont été humidifiés avec de l'essence ou une substance inflammable ou explosive. Ne lavez ni ne séchez rien qui ait été trempé ou maculé avec un type d'huile, y compris des huiles de cuisson. Cela pourrait provoquer un incendie, une explosion ou la mort.
- Ne laissez pas les enfants jouer sur ou dans l'appareil. Une surveillance étroite des enfants est nécessaire lorsque l'appareil est utilisé à proximité d'enfants.
- Les animaux domestiques et les enfants peuvent monter dans la machine. Vérifiez l'appareil avant chaque opération.
- La porte vitrée ou le protecteur peut être très chaud pendant le fonctionnement. Gardez les enfants et les animaux domestiques à l'écart de l'appareil pendant le fonctionnement.
- Cet appareil n'est pas destiné à être utilisé par des personnes (y compris des enfants) dont les capacités physiques, sensorielles ou mentales peuvent être différentes ou réduites, ou qui manquent d'expérience ou de connaissances, à moins que ces personnes ne soient supervisées ou formées pour faire fonctionner l'appareil par une personne responsable de leur utilisation. sécurité.
- Les enfants doivent être surveillés pour s'assurer qu'ils ne jouent pas avec l'appareil.
- Lorsque les enfants deviennent assez vieux pour utiliser l'appareil, il est de la responsabilité des parents ou des tuteurs légaux de s'assurer que des personnes qualifiées leur enseignent les bonnes pratiques.
- Ne lavez pas à la machine les matériaux en fibre de verre tels que les rideaux et les couvre-fenêtres qui utilisent des matériaux en fibre de verre. De petites particules peuvent rester dans la machine à laver et se coller aux tissus lors des lavages ultérieurs, provoquant une irritation de la peau.
- Avant que l'appareil ne soit retiré du service ou mis au rebut, retirez la porte et débranchez le cordon d'alimentation.

GARDEZ CES INSTRUCTIONS!



Consignes de sécurité importantes

LIRE ET SUIVRE TOUTES LES INSTRUCTIONS DE SÉCURITÉ

- Ne touchez pas l'appareil si la cuve ou l'agitateur est en mouvement.
- Ne pas installer ou stocker cet appareil dans un endroit où il sera exposé aux intempéries.
- Ne pas toucher aux commandes.
- Ne réparez ou ne remplacez aucune pièce de l'appareil et n'effectuez aucune opération de maintenance à moins que cela ne soit spécifiquement recommandé dans les instructions de maintenance de l'utilisateur ou dans les instructions de réparation de l'utilisateur publiées que vous comprenez et avez les compétences nécessaires pour effectuer.
- Ne jamais arrêter un sèche-linge avant la fin du programme.
- Assurez-vous que toutes les poches sont vidées.
- Des objets pointus et rigides tels que des pièces de monnaie, des clous, des vis, des pierres, etc. peuvent endommager sérieusement l'appareil.
- Vérifiez si l'eau à l'intérieur du tambour est bien drainée avant d'ouvrir la porte. N'ouvrez pas la porte s'il y a de l'eau visible.
- Ne débranchez pas le cordon d'alimentation de la source d'alimentation avec les mains mouillées.
- Afin de réduire les risques d'incendie, ne séchez pas d'articles contenant du caoutchouc mousse ou du caoutchouc de texture similaire.
- Si connecté à un circuit protégé par des fusibles, utilisez des fusibles temporisés avec cet appareil.
- Ne séchez pas d'articles ayant déjà été nettoyés, imbibés d'essence, de solvants de nettoyage à sec ou d'autres substances inflammables ou explosives, car ils dégagent des vapeurs pouvant s'enflammer ou exploser.
- Ne pas utiliser d'assouplissant ni de produit antistatique à moins que le fabricant de l'assouplissant ou du produit ne le recommande.
- Ne pas utiliser de chaleur pour sécher des articles contenant du caoutchouc mousse ou des matériaux similaires au caoutchouc.
- L'intérieur de l'appareil doit être nettoyé régulièrement par du personnel qualifié.
- Ne placez pas d'objets exposés aux huiles de cuisson dans le sèche-linge. Les articles contaminés par des huiles de cuisson peuvent contribuer à une réaction chimique qui pourrait provoquer l'incendie d'une charge.
- Les matériaux d'emballage peuvent être dangereux pour les enfants. Gardez tous les matériaux d'emballage tels que les sacs en plastique, la mousse, etc., hors de la portée des enfants.
- Cet appareil ne doit pas être installé dans des pièces très humides ou susceptibles d'accumuler de l'eau stagnante.
- Cet appareil ne doit pas être installé dans des pièces pouvant accumuler des gaz inflammables, explosifs ou caustiques.
- Assurez-vous que les appareils électriques et à eau sont raccordés par un technicien qualifié conformément aux instructions du fabricant et aux réglementations de sécurité locales.
- Tous les boulons d'emballage et de transport doivent être retirés avant d'utiliser cet appareil.
- Cet appareil est destiné à une utilisation en intérieur uniquement.
- Ne montez pas et ne vous asseyez pas sur le dessus de cet appareil.
- Ne vous appuyez pas contre la porte de l'appareil.
- Ne fermez pas la porte avec une force excessive.
- Manipulez l'appareil avec précaution. N'utilisez pas la porte pour soulever ou saisir l'appareil.
- Les avertissements et les consignes de sécurité importantes dans ce manuel NE couvrent PAS toutes les conditions et situations possibles. Il est de votre responsabilité de faire preuve de bon sens, de prudence et de prudence lors de l'installation, de la maintenance et du fonctionnement de cet appareil.



Consignes de sécurité importantes

LIRE ET SUIVRE TOUTES LES INSTRUCTIONS DE SÉCURITÉ

INSTRUCTIONS DE MISE À LA TERRE

Cet appareil doit être mis à la terre. La mise à la terre réduit le risque de choc électrique en fournissant un fil de fuite pour le courant électrique.

Cet appareil est doté d'un cordon comportant un fil de terre et une fiche à 3 broches. Le cordon d'alimentation doit être branché sur une prise correctement mise à la terre. Si la prise est une prise murale à 2 broches, vous devez la remplacer par une prise murale à 3 broches correctement mise à la terre. La plaque signalétique indique la tension et la fréquence pour lesquelles l'appareil est conçu.

ATTENTION - Une utilisation incorrecte de la prise de terre peut entraîner un risque de choc électrique. Consultez un électricien qualifié ou un agent de service si les instructions de mise à la terre ne sont pas complètement comprises ou en cas de doute sur le fait que l'appareil est correctement mis à la terre.

Ne connectez pas votre appareil à des rallonges ou avec un autre appareil dans la même prise murale. Ne pas épisser le cordon d'alimentation. En aucun cas, ne coupez ou ne retirez la troisième broche de terre du cordon d'alimentation. N'utilisez pas de rallonges ni d'adaptateurs non mis à la terre (deux broches).

Si le cordon d'alimentation est endommagé, il doit être remplacé par le fabricant, son agent de service ou une personne qualifiée similaire afin d'éviter tout risque.

Toute question relative à l'alimentation ou à la mise à la terre doit être adressée à un électricien agréé.

ÉTAT DE LA CALIFORNIE PROP 65 AVERTISSEMENT

La loi Californienne sur la salubrité de l'eau potable et des substances toxiques oblige le gouverneur de la Californie à publier une liste des substances reconnues cancérigènes, malformations congénitales et autres troubles de la reproduction par l'État de Californie, et oblige les entreprises à avertir de la possibilité d'une exposition à ces substances.

Ce produit contient du cuivre dans le cordon d'alimentation. Le cuivre est un produit chimique reconnu par l'État de Californie comme pouvant causer le cancer, des anomalies congénitales ou d'autres troubles de la reproduction. Cet appareil peut entraîner une faible exposition à des substances telles que le benzène, le formaldéhyde et le monoxyde de carbone.

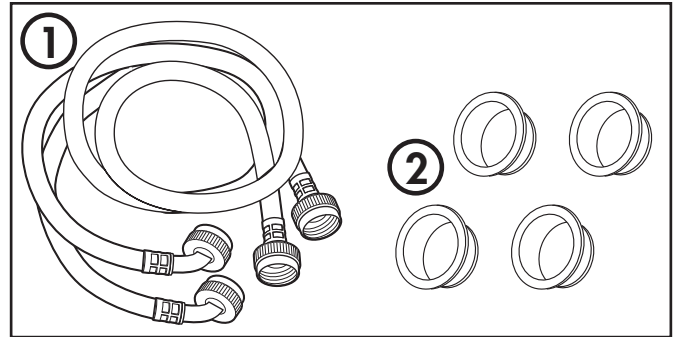
INSTRUCTIONS D'INSTALLATION

OUTILS REQUIS

- Tourne-écrou 1/4"
- Douille 3/8" avec cliquet
- Clé ouverte de 3/8"
- Clé à molette ou douille 7/16" avec cliquet
- Clé à molette ou clé plate de 9/16"
- Pince réglable avec blocage de canal
- Niveau de charpentier

ACCESSOIRES INCLUS

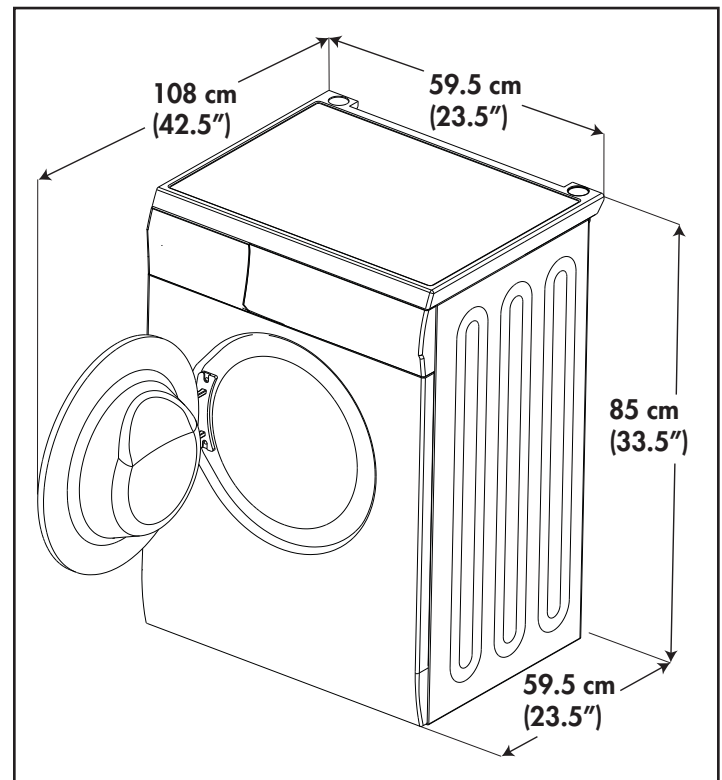
1. Deux tuyaux d'eau
2. Quatre bouchons de transport



EMPLACEMENT

- L'emplacement doit être suffisamment grand pour permettre à la porte de l'appareil de s'ouvrir complètement. La porte peut s'ouvrir à plus de 90° et n'est pas réversible.
- Il est recommandé de laisser 2,5 cm d'espace sur tous les côtés de l'appareil pour réduire le bruit.
- Le sol doit être de niveau et suffisamment fort pour supporter l'appareil quand il est complètement chargé.
- Il n'est pas recommandé d'installer cet appareil sur une moquette.
- L'appareil doit être situé à moins de 1,2 m (4 pieds) de la source d'eau et d'un drain.
- L'appareil doit être situé à moins de 1,8 m (6 pieds) d'une prise de courant correctement mise à la terre.
- N'utilisez pas cet appareil à des températures inférieures à 0°C (32°F), car l'eau à l'intérieur des tuyaux ou de l'appareil pourrait geler et endommager l'appareil.
- Évitez de placer l'appareil à la lumière directe du soleil.
- Ne placez pas l'appareil à proximité de sources de chaleur.

DIMENSIONS



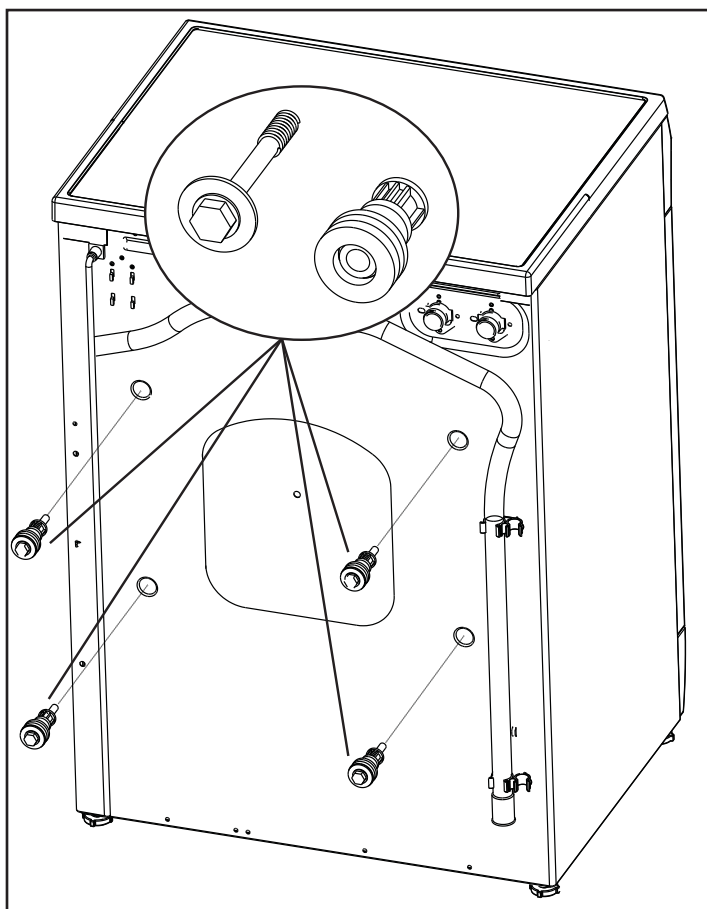
INSTRUCTIONS D'INSTALLATION

BOULONS DE TRANSPORT

Retirez tous les matériaux d'emballage de l'appareil. Veuillez vous débarrasser des matériaux d'emballage correctement. Ne laissez pas les enfants jouer avec les matériaux d'emballage.

Avant d'utiliser cet appareil, les boulons de transport doivent être retirés par l'arrière.

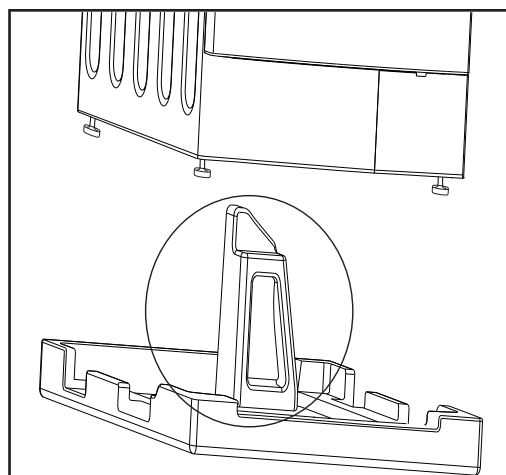
1. Desserrez les quatre boulons de transport à l'aide d'une clé et retirez-les.
2. Couvrez les trous avec les bouchons d'orifice de transport fournis.
3. Les boulons de transport fixent la cuve interne de l'appareil pendant le transport. Conservez les boulons de transport pour une utilisation future.



MOUSSE DE TRANSPORT

Assurez-vous que la mousse de transport est retirée par le dessous de l'appareil. Cette mousse maintient le moteur et la cuve en place pendant le transport et doit être retirée avant d'utiliser l'appareil.

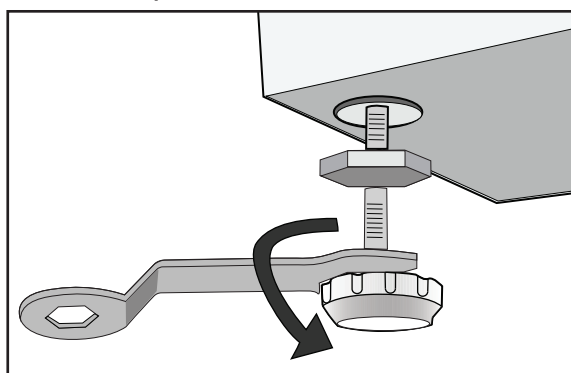
Si la mousse ne sort pas en une seule pièce, placez l'appareil sur le côté et assurez-vous que toute la mousse est retirée de l'intérieur de l'appareil avant de l'utiliser pour la première fois.



NIVEAU DE L'APPAREIL

Il y a quatre pieds réglables aux quatre coins de l'appareil. Si l'appareil n'est pas de niveau, suivez ces instructions.

1. Desserrez le contre-écrou fixant les pieds réglables.
2. Tournez les pieds jusqu'à ce que l'appareil soit à niveau.
3. Serrez les écrous de blocage pour assurer la sécurité des pieds.



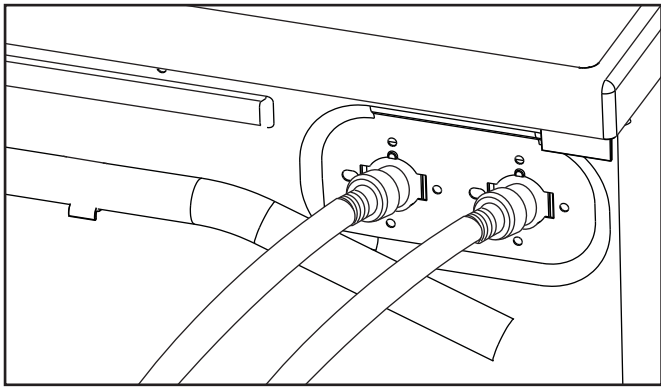
INSTRUCTIONS D'INSTALLATION

RACCORDEMENT DU TUYAU D'ADMISSION

Cet appareil peut être raccordé à l'aide d'un ou de deux tuyaux, selon le nombre de raccords disponibles au niveau de l'alimentation en eau.

Si un seul robinet est disponible, utilisez le raccordement d'eau froide situé à l'arrière de l'appareil. Si deux robinets sont disponibles, les deux raccordements d'eau peuvent être utilisés.

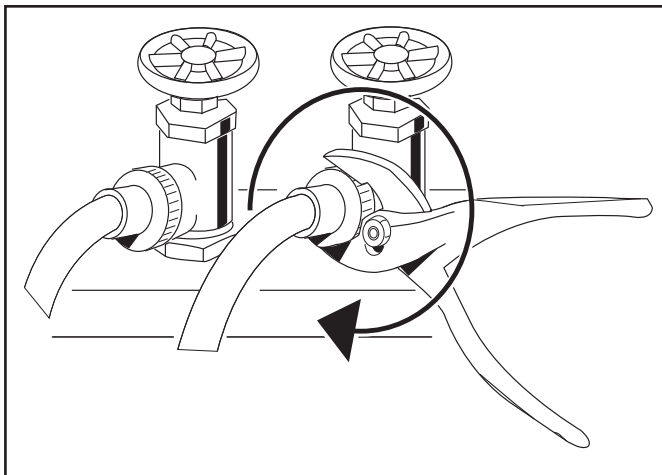
Commencez par connecter les tuyaux d'admission fournis à l'arrière de l'appareil. La connexion d'eau chaude est à gauche et la connexion d'eau froide est à droite.



APPROVISIONNEMENT EN EAU

Raccordez les tuyaux d'arrivée aux robinets d'alimentation en eau. Serrer les connexions avec une clé.

Ouvrez l'alimentation en eau avant d'utiliser l'appareil et assurez-vous qu'il n'y a pas de fuites au niveau des raccords d'eau.

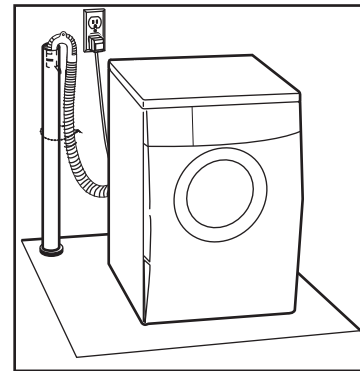


INSTALLATION DU TUYAU DE VIDANGE

Le tuyau de vidange arrivera pré-attaché à l'appareil. Lorsque vous faites passer le tuyau d'évacuation vers un évier, une conduite d'évacuation ou un tuyau d'évacuation, assurez-vous qu'il ne comporte pas de coudes dans le tuyau, car cela pourrait provoquer un blocage et empêcher la fonction d'évacuation.

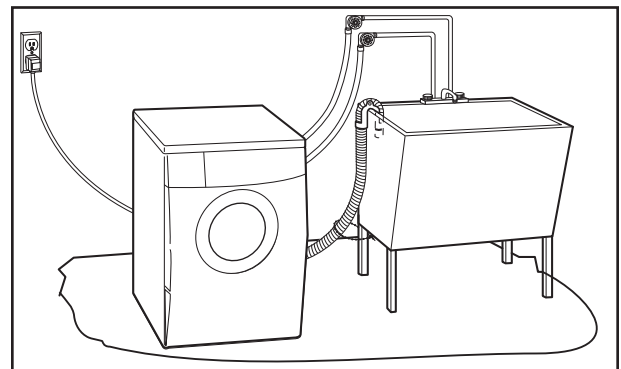
Système de vidange des conduites d'évacuation

Un tuyau d'évacuation nécessite un diamètre minimum de 2" (5 cm). La capacité doit être d'au moins 17 gallons (64 litres) par minute. Le sommet de la colonne montante doit avoir une hauteur minimale de 60 cm et une hauteur maximale de 100 cm à partir du bas de la laveuse.



Système de vidange pour bac à linge

La cuve à lessive doit avoir une capacité minimale de 20 gallons (76 litres). Le dessus de la cuve à lessive doit se situer à au moins 60 cm du sol.

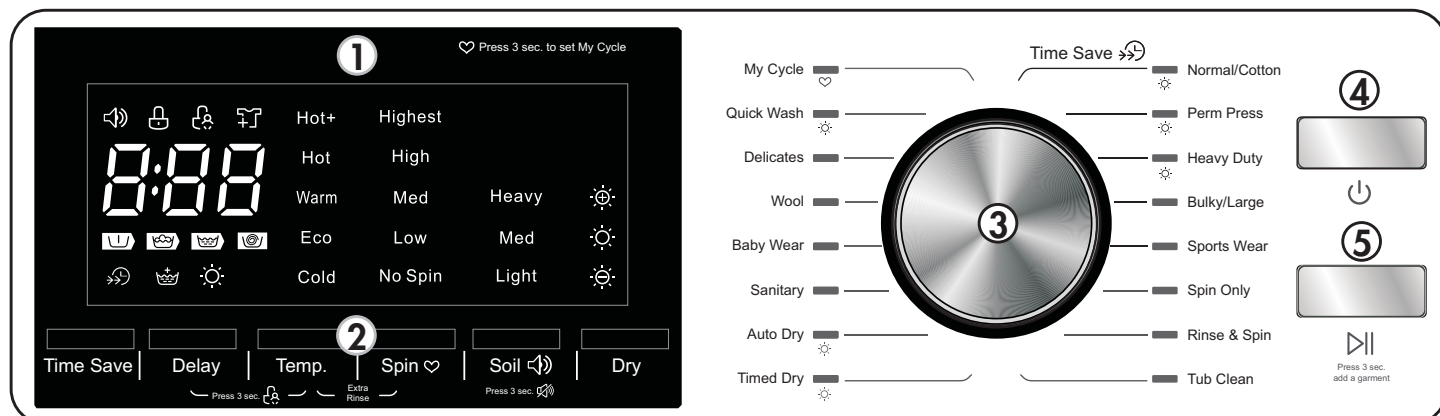


Système de drain de plancher

Le siphon de sol nécessite un siphon qui doit être acheté séparément. La rupture du siphon doit être à au moins 28" (71 cm) du bas de la laveuse.

CONSIGNES D'UTILISATION

PANNEAU DE CONTRÔLE



- 1. Panneau d'affichage:** affiche le programme actuel et son statut.
- 2. Paramétrage de fonction:** affiche le paramétrage actuel de la fonction.
- 3. Bouton de programme:** utilisé pour sélectionner le programme souhaité.

- 4. Bouton d'alimentation:** utilisé pour allumer ou éteindre l'appareil.
- 5. Bouton Start / Pause:** permet de démarrer un nouveau programme ou de suspendre un programme en cours

PROGRAMMES DISPONIBLES

Mon cycle: utilisé pour définir et mémoriser un cycle préféré. Définissez le programme préféré souhaité, puis maintenez Spin 3sec enfoncé pour vous en souvenir. Appuyez sur ce bouton à tout moment pour lancer le cycle de favoris défini. Le cycle de favoris par défaut est Perm Press.

Lavage rapide: programme très court pour les articles peu sales.

Déliçats: pour les matières délicates lavables telles que la soie, le satin ou le synthétique.

Laine: pour les matières lavables en laine. Vérifiez l'étiquette pour vous assurer qu'elle indique «lavage en machine» et choisissez la température de lavage conformément à l'étiquette du vêtement.

Vêtements pour bébés: utilisés pour les vêtements pour bébés.

Sanitaire: lavage à haute température adapté aux vêtements difficiles à laver.

Séchage automatique: permet à l'appareil de régler le temps de séchage en fonction de l'humidité restante dans la charge de lavage.

Séchage minuté: permet de définir un temps de séchage spécifique.

PROGRAMMES DISPONIBLES

Normal / Coton: convient aux textiles en coton ou en lin résistants à la chaleur et à la chaleur.

Perm Press: à utiliser pour une charge de linge normale.

À toute épreuve: à utiliser pour des charges lourdes telles que des serviettes ou des jeans.

Encombrant / grand: à utiliser pour les articles volumineux ou volumineux tels que les couvertures

Vêtements de sport: à utiliser pour le lavage des vêtements de sport.

Essorage seul: permet d'ajouter un cycle d'essorage supplémentaire au programme.

Rinçage et essorage: permet d'ajouter un programme supplémentaire de rinçage et d'essorage au programme.

Baignoire propre: utilisé pour nettoyer l'intérieur de l'appareil. Il applique une stérilisation à haute température pour nettoyer le tambour de la machine à laver. N'ajoutez aucun vêtement à ce cycle, seulement du vinaigre ou de l'eau de Javel. Utilisez chaque fois que nécessaire.

CONSIGNES D'UTILISATION

TABLE DE CYCLE LAVAGE ET SÉCHAGE

Les paramètres décrits dans ce tableau sont à titre de référence seulement. Les temps de cycle et les températures peuvent varier.

Normal / Coton est le programme de lavage standard et convient au nettoyage de la plupart des articles normalement sales. C'est le programme le plus efficace en termes d'utilisation de l'eau et de l'énergie.

Programme	Lavage / sec de charge (kg)	Température (°C)	Temps (hours)	Vitesse d'essorage
Normal / Coton	12 / 6	Tiède	1:04 / 2:36	Moyen
Perm Press	6	Tiède	4:58	Haut
Heavy Duty	12 / 6	Chaud	1:04 / 2:36	Moyen
Bulky / Large	6	Tiède	2:18	Moyen
Sport Wear	6	Tiède	2:08	Moyen
Spin Only	12	N/A	0:12	Haut
Rinse & Spin	12	N/A	0:20	Haut
Tub Clean	N/A	Chaud	1:58	N/A
Timed Dry	0.5 / 1.0 / 2.5	N/A	1:28	Plus haut
Auto Dry	8	N/A	4:18	Plus haut
Sanitary	6	Chaud	3:09	Moyen
Baby Wear	12	Eco	1:39	Moyen
Wool	2	Tiède	1:37	Faible
Delicates	2.5	Eco	1:00	Faible
Quick Wash	2	Froid	2:13	Moyen

Important : N'essayez pas de sécher une charge complète de linge. Une demi charge est le maximum pour tous les cycles de séchage.

Remarque : La durée d'affichage par défaut est uniquement la durée de lavage. Le temps de séchage s'affichera lorsqu'un cycle de séchage est choisi.

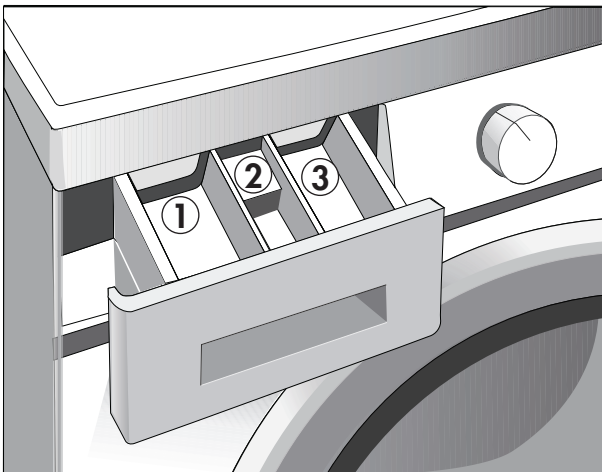
CONSIGNES D'UTILISATION

DÉTERGENT

Cet appareil est conçu pour le détergent à haute efficacité. Il est recommandé d'utiliser 1/4 à 1/2 de la quantité de détergent recommandée par le fabricant du détergent. N'oubliez pas de réduire la quantité de détergent si la charge est petite ou légèrement sale ou si l'alimentation en eau est très douce.

Il y a trois compartiments dans le distributeur de détergent à l'avant de l'appareil.

1. Compartiment à détergent principal.
 - Ne dépassez jamais les recommandations du fabricant lors de l'ajout de détergent.
 - Un détergent en poudre ou liquide peut être utilisé.
2. Compartiment assouplissant.
 - Ce compartiment contient un assouplissant liquide qui sera distribué automatiquement lors du dernier cycle de rinçage.
 - Ne dépassez pas la ligne de remplissage maximum.
 - L'ajout d'un assouplissant est facultatif.
3. Compartiment détergent de pré-lavage.
 - N'utilisez pas plus de la moitié de la quantité introduite dans le compartiment à détergent principal.
 - L'ajout de détergent de pré-lavage est facultatif et ne doit être utilisé que pour des charges très sales.



INSTRUCTION DE FONCTION

Avant de démarrer la machine à laver, vérifiez les points suivants:

- Le tuyau de vidange est dans la bonne position.
- Il n'y a pas de fuite dans les tuyaux d'arrivée lorsque les robinets sont ouverts.
- Le cordon d'alimentation est correctement branché dans une prise à la terre à trois broches.
- Toutes les pièces de monnaie et les objets en vrac ont été retirés des vêtements.
- Placez les vêtements dans la machine à laver. Déposez des objets dans la baignoire. Ne pas emballer les articles étroitement. Les articles doivent pouvoir circuler librement dans l'eau de lavage pour obtenir les meilleurs résultats de nettoyage.
- Suivez les instructions pour définir le programme de lavage souhaité.
- Ajoutez la quantité souhaitée de détergent.
- Fermez la porte et appuyez sur le bouton start / pause pour lancer le programme souhaité.
- Un programme de lavage peut être suspendu une fois qu'il est en marche en appuyant sur le bouton start / pause.
- L'appareil ne fonctionnera pas si le couvercle est ouvert.
- Lorsqu'un programme est terminé, une alarme retentit.
- Pendant le cycle de séchage, l'eau retirée de la charge de lavage sera évacuée par le tuyau de vidange. Assurez-vous que le tuyau de vidange reste en place pendant le cycle de séchage.

CONSIGNES D'UTILISATION

FONCTION D'ÉCONOMIE DE TEMPS

Cette fonction peut réduire le temps de lavage.

Remarque: La fonction d'économie de temps peut être utilisée sur les cycles suivants: normal / coton, perm press, travaux lourds, volumineux / gros et vêtements de sport.

FONCTION DE VERROUILLAGE DES ENFANTS

La sécurité enfants verrouille le panneau de commande de sorte que les options ne puissent être ni choisies ni modifiées par accident.

Appuyez et maintenez enfoncés les boutons de fonction et sélectionnez en même temps pendant 3 secondes pour activer la sécurité enfants.

Répétez cette procédure pour désengager le verrou enfant.

TEMPS FONCTION DE RETARD

La fonction de temporisation peut être utilisée pour configurer l'appareil afin qu'il s'exécute ultérieurement.

Pour définir la fonction de temporisation:

1. Sélectionnez le programme de lavage et de séchage souhaité.
2. Appuyez plusieurs fois sur le bouton de délai pour choisir le délai qui s'écoulera avant que l'appareil exécute le cycle choisi.
3. Appuyez sur le bouton start / pause pour confirmer les sélections. L'appareil compte à rebours le temps de retard et commence le programme choisi lorsque le temps imparti est écoulé.

Remarque: Si l'appareil est mis hors tension pendant le délai imparti, l'appareil se souviendra du programme une fois le courant rétabli et poursuivra le compte à rebours.

AJOUTER UN ARTICLE

Il est possible d'ajouter un élément oublié à l'appareil lorsqu'un programme de lavage est déjà en cours d'exécution.

Pour ajouter un article oublié:

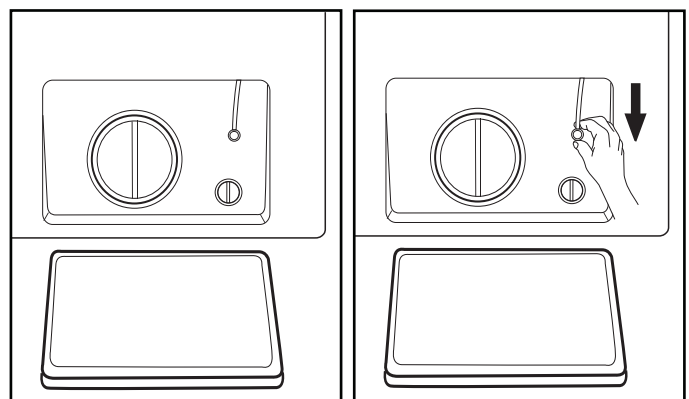
1. Appuyez sur le bouton start / pause et maintenez-le enfoncé pendant 3 secondes pour suspendre le programme en cours.
2. Attendez que le tambour cesse de tourner, que le niveau d'eau se situe sous le bas de la porte et que la porte soit déverrouillée.
3. Ajoutez l'élément oublié et fermez la porte.
4. Appuyez sur le bouton start / pause pour reprendre le fonctionnement.

Remarque: N'ajoutez pas d'objet lorsque le niveau d'eau est supérieur au bas de la porte, car cela pourrait entraîner une fuite d'eau.

Mise en garde: L'intérieur de l'appareil peut être chaud. Soyez prudent lorsque vous ajoutez un article oublié à un programme de lavage.

DÉGAGEMENT DE PORTE D'URGENCE

En cas de panne de courant ou d'autres circonstances dans lesquelles la porte ne peut pas être ouverte, il existe un déverrouillage d'urgence à l'avant de l'appareil. Ouvrez la porte du filtre et tirez sur le cordon d'urgence pour ouvrir la porte.



NETTOYAGE

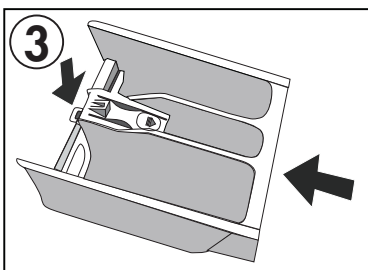
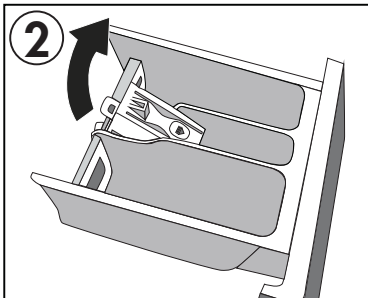
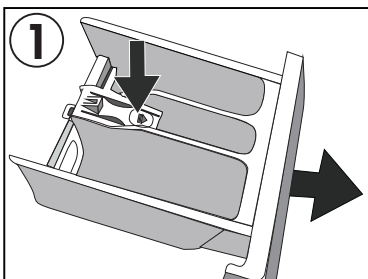
Avant de procéder à tout nettoyage ou entretien, assurez-vous que le tuyau d'arrivée d'eau a été débranché et que le cordon d'alimentation est débranché.

Nettoyez l'extérieur de l'appareil avec un chiffon chaud et humide. Évitez d'utiliser des détergents ou des produits chimiques car cela pourrait endommager ou décolorer le boîtier.

PLATEAU DE DÉTERGENT

Le distributeur de détergent peut parfois avoir besoin d'être nettoyé du détergent accumulé.

1. Appuyez à l'endroit indiqué et tirez le distributeur vers l'extérieur.
2. Soulevez le feuillet et retirez le couvercle de l'adoucisseur. Lavez le distributeur à l'eau tiède.
3. Remplacez le couvercle de l'adoucisseur et remplacez le distributeur dans l'appareil.



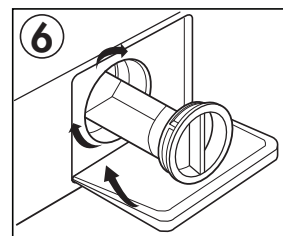
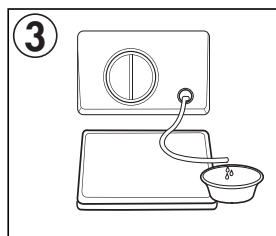
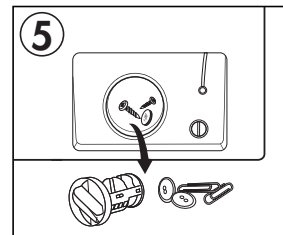
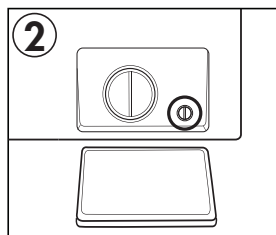
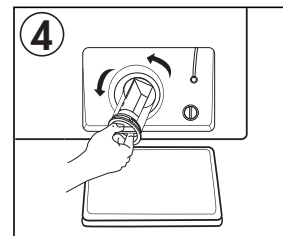
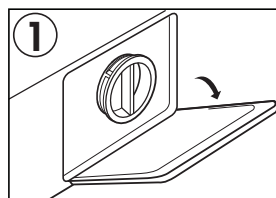
FILTRE DE ROBINET

Il y a un filtre à l'intérieur du tuyau d'arrivée qui peut avoir besoin d'être nettoyé des débris accumulés ou du tartre d'eau dure. Assurez-vous que l'alimentation en eau est coupée avant le nettoyage. Retirez le tuyau d'arrivée d'eau du robinet et rincez à l'eau.

FILTRE DE POMPE DE DRAIN

Le filtre de la pompe de vidange à l'avant de l'appareil doit être nettoyé périodiquement de tout débris accumulé.

1. Ouvrez le couvercle du drain.
2. Faites pivoter de 90° et sortez le tuyau de vidange inférieur.
3. Videz l'eau accumulée dans un égout ou un récipient.
4. Ouvrez le filtre en le tournant dans le sens des aiguilles d'une montre.
5. Retirez tous les débris et rincez le filtre avec de l'eau.
6. Remplacez le filtre et fermez le couvercle du drain.



DÉPANNAGE

Danby soins du consommateur : 1-800-263-2629

Heures d'ouverture :

Du lundi au jeudi, de 8 h 30 à 18 h, heure de l'Est

Vendredi, de 8 h 30 à 16 h, heure de l'Est

Les informations contenues dans ce manuel sont sujettes à modification sans préavis.

PROBLÈME	CAUSE POSSIBLE
La laveuse ne fonctionne pas	<ul style="list-style-type: none">• Pas branché.• Le disjoncteur a déclenché ou un fusible soufflé.• Le couvercle n'est pas fermé.• La source d'eau n'est pas allumée.
Pas d'eau ni d'approvisionnement insuffisant en eau	<ul style="list-style-type: none">• La source d'eau n'est pas allumée.• Le tuyau d'entrée d'eau est plié.• L'écran du filtre à l'entrée d'eau est bouché.
La machine à laver ne draine pas	<ul style="list-style-type: none">• Le tuyau de vidange est plié.• Il y a un problème avec la pompe de vidange.
La machine à laver vibre ou est trop bruyante	<ul style="list-style-type: none">• La laveuse n'est pas au niveau.• La machine à laver touche un autre objet.• La charge de la lessive n'est pas équilibrée.
La machine à laver ne tourne pas	<ul style="list-style-type: none">• Le porte n'est pas fermé.• La laveuse n'est pas au niveau.
Remplissage et vidange d'eau en même temps	<ul style="list-style-type: none">• Assurez-vous que le tuyau de vidange est élevé de 0,7 m à 1,2 m du sol; Si le tuyau de vidange est trop bas, il peut provoquer l'évacuation de l'eau de l'appareil car il remplit
Cabinet qui fuit du fond	<ul style="list-style-type: none">• La baignoire est surchargée• Le niveau d'eau est trop élevé pour la quantité de lavage
Bruit anormal	<ul style="list-style-type: none">• S'assurer que les boulons de transport ont été enlevés• Assurez-vous que l'appareil est de niveau

CODES D'ERREUR

E30 - La porte n'est pas bien fermée

E10 - La pression de l'eau est trop basse ou la pompe de vidange n'est pas installée correctement

E21 - L'eau ne s'écoule pas correctement

E12 - Débordement de l'eau

EXX - Autre erreur

GARANTIE LIMITÉE « À DOMICILE »

Cet appareil de qualité est garanti exempt de tout vice de matière première et de fabrication, s'il est utilisé dans les conditions normales recommandées par le fabricant.

Cette garantie n'est offerte qu'à l'acheteur initial de l'appareil vendu par Danby Products Limited (Canada) ou Danby Products Inc. (É.-U.) (ci-après « Danby ») ou par l'un de ses distributeurs agréés et elle ne peut être transférée.

CONDITIONS

Les pièces en plastique sont garanties pendant trente (30) jours seulement à partir de la date de l'achat, sans aucune prolongation prévue.

Premiers 12 mois Pendant les premiers **douze (12) mois**, toutes les pièces fonctionnelles de ce produit qui s'avèrent défectueuses seront réparées ou remplacées, selon le choix du garant, sans frais à l'acheteur initial.

Pour bénéficiaire du service S'adresser au détaillant qui a vendu l'appareil, ou à la station technique agréée de service la plus proche, où les réparations doivent être effectuées par un technicien qualifié. Si les réparations sont effectuées par quiconque autre que la station de service agréée ou à des fins commerciales, toutes les obligations de Danby en vertu de cette garantie seront annulées.

Limites de l'entretien à domicile Danby se réserve le droit de limiter les limites de « Service au domicile » à proximité d'un dépôt de service agréé. Pour tout appareil nécessitant le service hors des limites de "Service à domicile" il sera la responsabilité du consommateur de transporter à ses frais au point d'achat d'origine ou un dépôt de service pour la réparation. Si l'appareil est installé à plus de **100 kilomètres (62 milles)** du centre de service le plus proche, il doit être livré à l'atelier de réparation autorisé par Danby le plus proche, car l'entretien doit uniquement être réalisé par un technicien qualifié et certifié pour effectuer un entretien couvert par la garantie de Danby.

Les frais de transport entre votre domicile et le lieu de l'entretien ne sont pas couverts par la présente garantie et doivent être acquittés par l'acheteur.

Aucune partie de la garantie ne prévoit implicitement que le fabricant sera tenu responsable des dommages subis par les aliments ou d'autres types de contenu, qu'ils soient causés par la défectuosité de l'appareil ou par son usage adéquat ou inadéquat.

EXCLUSIONS

En vertu de la présente, il n'existe aucune autre garantie, condition ou représentation, qu'elle soit exprimée ou tacite, de façon manifeste ou intentionnelle, par Danby ou ses distributeurs agréés. De même, sont exclues toutes les autres garanties, conditions ou représentations, y compris les garanties, conditions ou représentations en vertu de toute loi régissant la vente de produits ou de toute autre législation ou règlement semblable. **En vertu de la présente, Danby ne peut être tenue responsable en cas de blessures corporelles ou de dégâts matériels, y compris à l'appareil, quelle qu'en soit la cause. Danby ne peut pas être tenue responsable des dommages indirects dus au fonctionnement défectueux de l'appareil. En achetant l'appareil, l'acheteur accepte de tenir sans reproche et de décharger Danby de toute responsabilité en cas de réclamation pour toute blessure corporelle ou tout dégât matériel causé par cet appareil.**

CONDITIONS GÉNÉRALES

La garantie ou assurance ci-dessus ne s'applique pas si les dégâts ou réparations sont dus aux cas suivants :

- 1) Panne de courant.
- 2) Dommages subis pendant le transport ou le déplacement de l'appareil.
- 3) Alimentation électrique incorrecte (tension faible, câblage défectueux, fusibles incorrects).
- 4) Accident, modification, emploi abusif ou incorrect de l'appareil tel qu'une circulation d'air inadéquate dans la pièce ou des conditions de fonctionnement anormales (température extrêmement élevée ou basse).
- 5) Utilisation dans un but commercial ou industriel (à savoir, si l'appareil n'est pas installé dans un domicile résidentiel).
- 6) Incendie, dommages causés par l'eau, le vol, la guerre, une émeute, des hostilités, ou en cas de force majeure (ouragan, inondation, etc.).
- 7) Visites d'un technicien pour expliquer le fonctionnement de l'appareil au propriétaire.
- 8) Installation inappropriée (par exemple, encastrement d'un appareil autoportant, ou utilisation extérieure d'un appareil non conçu à cet effet, y compris, mais sans s'y limiter : les garages, les patios, les porches ou ailleurs, qui ne sont pas correctement isolés ou climatisés).

La preuve de la date d'achat sera requise pour les réclamations de garantie; conserver la facture de vente. Dans le cas où un service de garantie est requis, présentez la preuve d'achat à notre dépôt de service agréé.

Service sous garantie

Service au domicile

Danby Products Limited
PO Box 1778, Guelph, Ontario, Canada N1H 6Z9
Téléphone : (519) 837-0920 Télécopieur : (519) 837-0449

1-800-263-2629

02/18

Danby Products Inc.
PO Box 669, Findlay, Ohio, U.S.A. 45840
Téléphone : (419) 425-8627 Télécopieur : (419) 425-8629

Bienvenido

Bienvenido a la familia Danby. Estamos orgullosos de nuestros productos de calidad y creemos en un servicio confiable. Sugerimos que lea este manual del propietario antes de conectar el nuevo aparato ya que contiene información importante sobre la operación, información de seguridad, solución de problemas y consejos de mantenimiento para garantizar la fiabilidad y longevidad de su electrodoméstico.

Visite **www.Danby.com** para acceder a herramientas de autoservicio, preguntas frecuentes y mucho más. Para asistencia adicional, llame al **1-800-263-2629**.

Tenga en cuenta la información siguiente; Necesitará esta información para obtener un servicio bajo garantía.

Debe proporcionar el recibo de compra original para validar su garantía y recibir servicio.

Número de modelo: _____

Número de serie: _____

Fecha de compra: _____

Necesitas ayuda?

Antes de llamar al servicio, aquí hay algunas cosas que puede hacer para ayudarnos a servirle mejor.

Lea este manual del propietario:

Contiene instrucciones para ayudarlo a usar y mantener su aparato correctamente.

Si recibe un aparato dañado:

Inmediatamente póngase en contacto con el minorista o el constructor que le vendió el aparato.

Ahorre tiempo y dinero:

Consulte la sección de solución de problemas al final de este manual antes de llamar. Esta sección le ayudará a resolver problemas comunes que pueden ocurrir.



1-800-26- Danby
(1-800-263-2629)



Importantes Instrucciones de Seguridad

LEA Y SIGA TODAS LAS INSTRUCCIONES DE SEGURIDAD

INSTRUCCIONES DE SEGURIDAD

ADVERTENCIA: Para reducir el riesgo de incendio, descarga eléctrica o lesiones personales cuando utilice este aparato, siga las precauciones de seguridad básicas, que incluyen las siguientes:

- No lave artículos que hayan sido previamente limpiados, lavados, empapados o manchados con gasolina, solventes para limpieza en seco u otras sustancias inflamables o explosivas, ya que emiten vapores que podrían encenderse o explotar.
- No agregue gasolina, disolventes de limpieza en seco u otras sustancias inflamables o explosivas al agua de lavado, ya que emiten vapores que podrían encenderse o explotar.
- Bajo ciertas condiciones, el gas hidrógeno se puede producir en un sistema de agua caliente que no se ha usado durante 2 semanas o más. **EL GAS DE HIDRÓGENO ES EXPLOSIVO.** Si el sistema de agua caliente no se ha utilizado durante ese período, abra todos los grifos de agua caliente y deje que el agua fluya durante varios minutos antes de usar la lavadora. Esto liberará cualquier gas de hidrógeno acumulado. No fume ni use una llama abierta durante este proceso.
- Siempre desenchufe la lavadora de la fuente de alimentación antes de intentar cualquier servicio. Desconecte el cable de alimentación sujetando el enchufe, no el cable.
- Para reducir el riesgo de incendio, no deben colocarse en el lavado ropa, trapos de limpieza, cabezales de fregona y artículos similares que tengan trazas de sustancias inflamables como aceite vegetal, aceite de cocina, aceites o destilados a base de petróleo, ceras, grasas, etc. máquina. Estos artículos contienen sustancias inflamables que, después del lavado, pueden fumar o incendiarse.
- Nunca coloque artículos en la lavadora que hayan sido humedecidos con gasolina o cualquier sustancia combustible o explosiva. No lave ni seque nada que haya sido empapado o manchado con ningún tipo de aceite, incluidos los aceites de cocina. Hacerlo puede provocar un incendio, una explosión o la muerte.
- No permita que los niños jueguen sobre o dentro del aparato. La supervisión cercana de los niños es necesaria cuando el aparato se usa cerca de niños.
- Las mascotas y los niños pueden subirse a la máquina. Revise el aparato antes de cada operación.
- La puerta de vidrio o el protector pueden estar muy calientes durante el funcionamiento. Mantenga a los niños y mascotas alejados del aparato durante el funcionamiento.
- Este dispositivo no está destinado a ser utilizado por personas (incluidos niños) cuyas capacidades físicas, sensoriales o mentales pueden ser diferentes o reducidas, o que carecen de experiencia o conocimiento, a menos que dichas personas sean supervisadas o entrenadas para operar el dispositivo por una persona responsable de su la seguridad.
- Los niños deben ser supervisados para asegurarse de que no jueguen con el aparato.
- Cuando los niños tienen la edad suficiente para usar el aparato, es responsabilidad legal de los padres o tutores legales asegurarse de que las personas calificadas los instruyan sobre prácticas seguras.
- No lave a máquina materiales de fibra de vidrio tales como cortinas y cubiertas de ventanas que usen materiales de fibra de vidrio. Las pequeñas partículas pueden permanecer en la lavadora y adherirse a las telas en las cargas de lavado posteriores que causan irritación de la piel.
- Antes de retirar o desechar el aparato, retire la puerta y corte el cable de alimentación.
- No toque el aparato si la tina o el agitador se está moviendo.

¡GUARDE ESTAS INSTRUCCIONES!



Importantes Instrucciones de Seguridad

LEA Y SIGA TODAS LAS INSTRUCCIONES DE SEGURIDAD

- No instale ni almacene este aparato en lugares expuestos a la intemperie.
- No manipule indebidamente los controles.
- No repare ni reemplace ninguna parte del aparato ni intente repararlo a menos que se recomiende específicamente en las instrucciones de mantenimiento para el usuario o en las instrucciones de reparación publicadas por el usuario que comprenda y tenga las habilidades para llevar a cabo.
- Nunca detenga una secadora antes de que finalice el programa.
- Asegúrese de que todos los bolsillos están vacíos.
- Los artículos afilados y rígidos, como monedas, clavos, tornillos o piedras, etc., pueden causar graves daños al aparato.
- Compruebe si el agua del interior del tambor se ha drenado antes de abrir la puerta. No abra la puerta si hay agua visible.
- No desconecte el cable de alimentación de la fuente de alimentación con las manos mojadas.
- Para reducir el riesgo de incendio, no seque artículos que contengan goma espuma de materiales similares a la goma con textura similar.
- Si está conectado a un circuito protegido por fusibles, use fusibles de retardo con este aparato.
- No seque artículos que hayan sido previamente limpiados, lavados, empapados o manchados con gasolina, solventes para limpieza en seco u otras sustancias inflamables o explosivas, ya que emiten vapores que podrían encenderse o explotar.
- No utilice suavizantes o productos para eliminar la estática a menos que lo recomiende el fabricante del suavizante o producto.
- No use calor para secar artículos que contengan goma espuma o materiales similares a la goma con textura similar.
- El interior del aparato debe ser limpiado periódicamente por personal de servicio calificado.
- No coloque objetos expuestos a aceites de cocina en la secadora. Los elementos contaminados con aceites de cocina pueden contribuir a una reacción química que podría causar que una carga se incendie.
- Los materiales de embalaje pueden ser peligrosos para los niños. Mantenga todos los materiales de embalaje, como bolsas de plástico, espuma, etc., fuera del alcance de los niños.
- Este aparato no debe instalarse en habitaciones muy húmedas o que puedan acumular agua estancada.
- Este aparato no debe instalarse en habitaciones que puedan acumular gases inflamables, explosivos o cáusticos.
- Asegúrese de que los dispositivos eléctricos y de agua estén conectados por un técnico calificado de acuerdo con las instrucciones del fabricante y las normas de seguridad locales.
- Se deben retirar todos los pernos de embalaje y transporte antes de operar este aparato.
- Este aparato es solo para uso en interiores.
- No suba ni se siente sobre este aparato.
- No se apoye contra la puerta del aparato.
- No cierre la puerta con fuerza excesiva.
- Maneje el aparato con cuidado. No utilice la puerta para levantar o sujetar el aparato.
- Las advertencias e instrucciones de seguridad importantes en este manual NO cubren todas las condiciones y situaciones posibles que pueden ocurrir. Es su responsabilidad usar el sentido común, precaución y cuidado al instalar, mantener y operar este dispositivo.



Importantes Instrucciones de Seguridad

LEA Y SIGA TODAS LAS INSTRUCCIONES DE SEGURIDAD

INSTRUCCIONES DE TIERRA

Este aparato debe estar conectado a tierra. La conexión a tierra reduce el riesgo de descarga eléctrica al proporcionar un cable de escape para la corriente eléctrica.

Este aparato tiene un cable que tiene un cable de conexión a tierra con un enchufe de 3 clavijas. El cable de alimentación debe estar enchufado a un tomacorriente que esté correctamente conectado a tierra. Si el tomacorriente es un tomacorriente de pared de 2 clavijas, debe reemplazarse por un tomacorriente de pared de 3 clavijas debidamente conectado a tierra. La placa de número de serie indica el voltaje y la frecuencia para la que está diseñado el aparato.

ADVERTENCIA - El uso inadecuado del enchufe de conexión a tierra puede provocar un riesgo de descarga eléctrica. Consulte a un electricista o servicio técnico calificado si las instrucciones de conexión a tierra no se comprenden completamente o si existen dudas sobre si el aparato está conectado a tierra correctamente.

No conecte su aparato a los cables de extensión o junto con otro aparato en el mismo tomacorriente de pared. No empalme el cable de alimentación. Bajo ninguna circunstancia, corte o retire la tercera clavija de conexión a tierra del cable de alimentación. No use cables de extensión o adaptadores sin conexión a tierra (dos clavijas).

Si el cable de alimentación está dañado, debe ser reemplazado por el fabricante, su agente de servicio o una persona cualificada similar para evitar riesgos.

Cualquier pregunta relacionada con la alimentación o la conexión a tierra debe dirigirse a un electricista certificado.

ESTADO DE CALIFORNIA PROP 65 ADVERTENCIA

El Acta de Aplicación de Agua Potable Segura y Tóxica de California requiere que el Gobernador de California publique una lista de sustancias conocidas por el Estado de California como causantes de cáncer, defectos de nacimiento y otros daños reproductivos, y exige que las empresas adviertan sobre la posible exposición a dichas sustancias.

Este producto contiene cobre en el cable de alimentación. El cobre es una sustancia química que el Estado de California sabe que causa cáncer, defectos de nacimiento u otros daños reproductivos. Este aparato puede causar una exposición de bajo nivel a sustancias como benceno, formaldehído y monóxido de carbono.

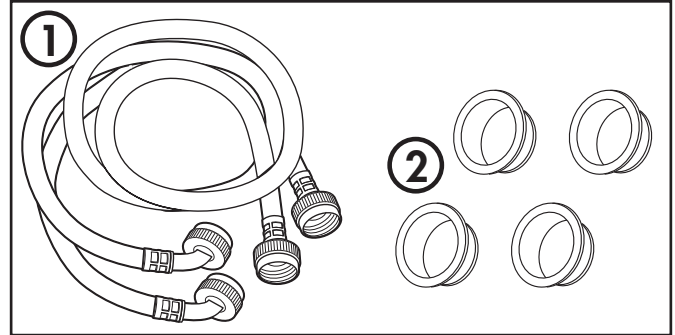
INSTRUCCIONES DE INSTALACIÓN

HERRAMIENTAS REQUERIDAS

- 1/4" conductor de tuerca
- Casquillo de 3/8" con trinquete
- Llave de extremo abierto de 3/8"
- Llave ajustable o casquillo de 7/16" con trinquete
- Llave ajustable o llave de boca abierta de 9/16"
- Alicates ajustables de bloqueo de canal
- Nivel de carpintero

ACCESORIOS INCLUIDOS

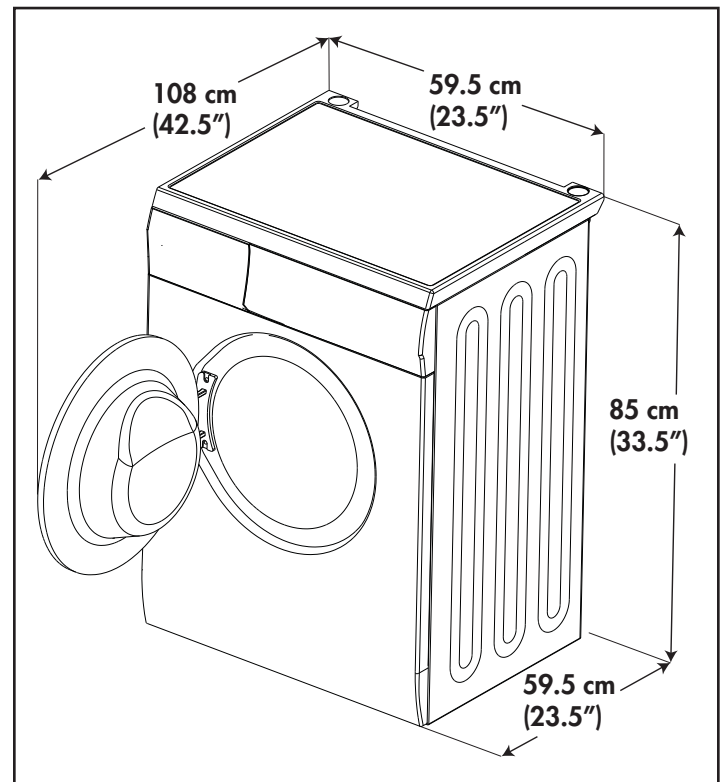
1. Dos mangueras de agua
2. Cuatro tapones de orificio de transporte



UBICACIÓN

- La ubicación debe ser lo suficientemente grande como para permitir que la puerta del aparato se abra completamente. La puerta puede abrir más de 90° y no es reversible.
- Se recomienda dejar 2,5 cm de espacio en todos los lados del aparato para reducir el ruido.
- El piso debe estar nivelado y lo suficientemente fuerte para soportar el aparato cuando esté completamente cargado.
- No se recomienda instalar este aparato sobre alfombras.
- El aparato debe ubicarse a una distancia de 1,2 m (4 pies) de la fuente de agua y un drenaje.
- El aparato debe ubicarse a 1,8 m (6 pies) de una toma de corriente con conexión a tierra adecuada.
- No haga funcionar este aparato a temperaturas inferiores a 0°C (32°F), ya que el agua dentro de las mangueras o el aparato podría congelarse y dañar el aparato.
- Evite colocar el aparato bajo la luz solar directa.
- No coloque el aparato cerca de fuentes de calor.

DIMENSIONES



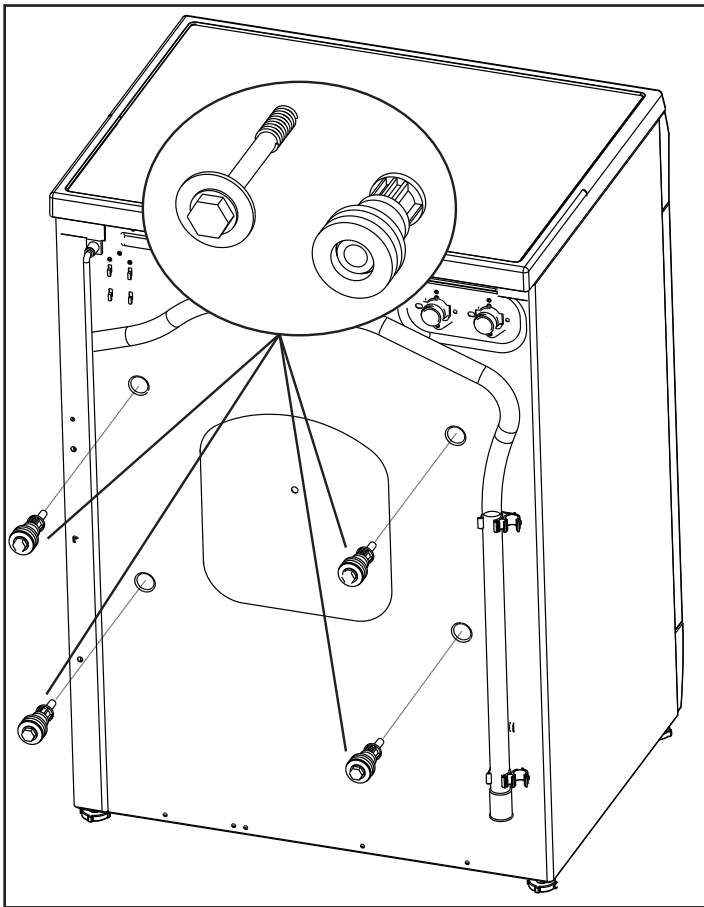
INSTRUCCIONES DE INSTALACIÓN

PERNOS DE TRANSPORTE

Retire todos los materiales de embalaje del aparato. Por favor, deseche los materiales de embalaje correctamente. No permita que los niños jueguen con los materiales de embalaje.

Antes de usar este aparato, los pernos de transporte deben retirarse de la parte posterior.

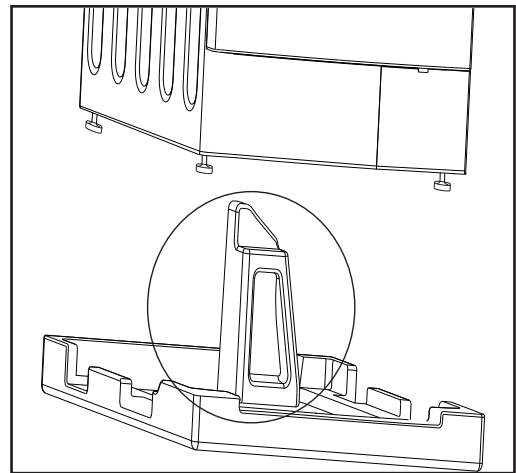
1. Afloje los cuatro pernos de transporte con una llave y retírelos.
2. Cubra los orificios con los tapones de transporte provistos.
3. Los pernos de transporte aseguran la bañera interior del aparato durante el transporte. Guarde los pernos de transporte para uso futuro.



ESPUMA DE TRANSPORTE

Asegúrese de retirar la espuma de transporte de la parte inferior del aparato. Esta espuma mantiene el motor y la bañera durante el transporte y debe retirarse antes de usar el aparato.

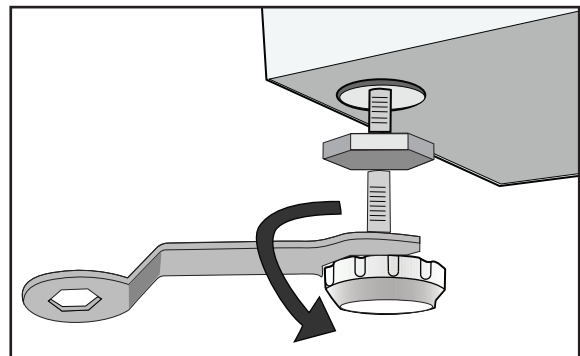
Si la espuma no sale en una sola pieza, coloque el aparato de lado y asegúrese de quitar toda la espuma del interior del aparato antes de usarlo por primera vez.



NIVELAR EL APARATO

Hay cuatro pies ajustables en las cuatro esquinas del aparato. Si el aparato no está nivelado, siga estas instrucciones.

1. Afloje la contratuerca que sujeta los pies ajustables.
2. Gire los pies hasta que el aparato esté nivelado.
3. Apriete las tuercas de seguridad para asegurarse de que los pies permanezcan seguros.



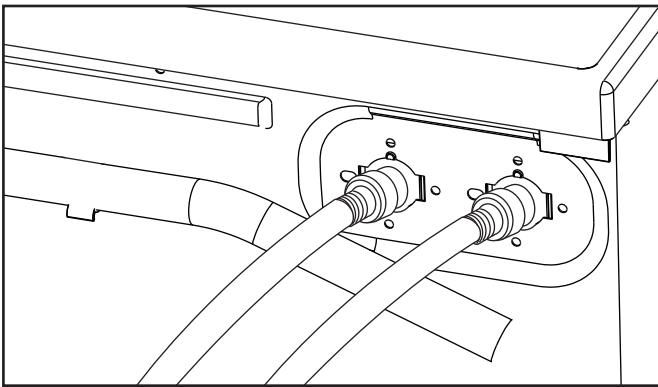
INSTRUCCIONES DE INSTALACIÓN

CONEXION DE MANGUERA DE ENTRADA

Este aparato se puede conectar usando una manguera o dos, dependiendo de cuántas conexiones estén disponibles en el suministro de agua.

Si solo hay un grifo disponible, use la conexión de agua fría en la parte posterior del aparato. Si hay dos grifos disponibles, entonces se pueden usar ambas conexiones de agua.

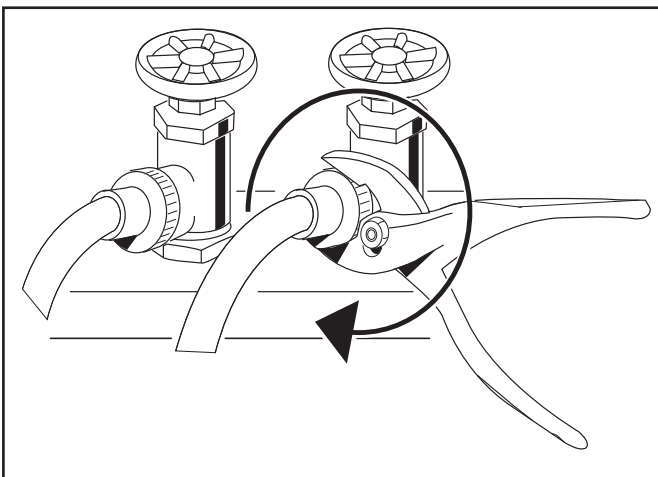
Primero, conecte las mangueras de entrada provistas a la parte posterior del aparato. La conexión de agua caliente está a la izquierda y la conexión de agua fría a la derecha.



SUMINISTRO DE AGUA

Conecte las mangueras de entrada a los grifos de suministro de agua. Apretar las conexiones con una llave.

Abra el suministro de agua antes de usar el aparato y asegúrese de que no haya fugas en las conexiones de agua.

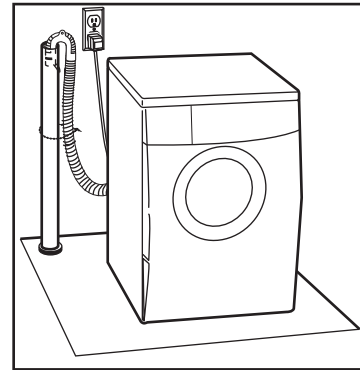


INSTALACION DE MANGUERAS DE DRENAJE

La manguera de desagüe llegará pre-conectada al aparato. Cuando corra la manguera de desagüe hacia un fregadero, tubo vertical o desagüe, asegúrese de que no haya dobleces en la manguera ya que esto puede causar un bloqueo e impedir la función de desagüe.

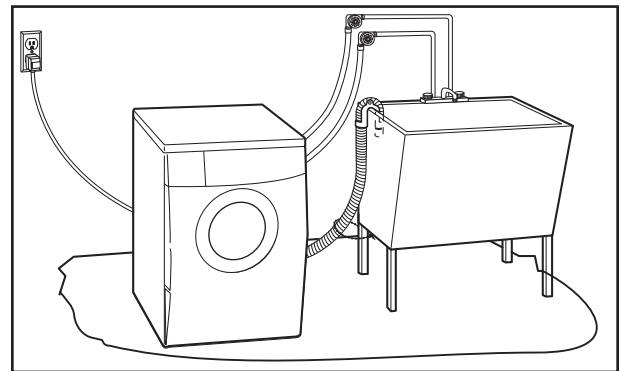
Sistema de drenaje de tubería vertical

Un drenaje de tubo vertical requiere un diámetro mínimo de 2" (5 cm). La capacidad debe ser de al menos 17 galones (64 litros) por minuto. La parte superior del tubo vertical debe tener al menos 60 cm de altura y no más de 100 cm desde la parte inferior de la lavadora.



Sistema de drenaje de la tina de lavandería

La tina de lavandería debe tener una capacidad mínima de 20 galones (76 litros). La parte superior de la tina de lavado debe estar al menos a 60 cm del piso.

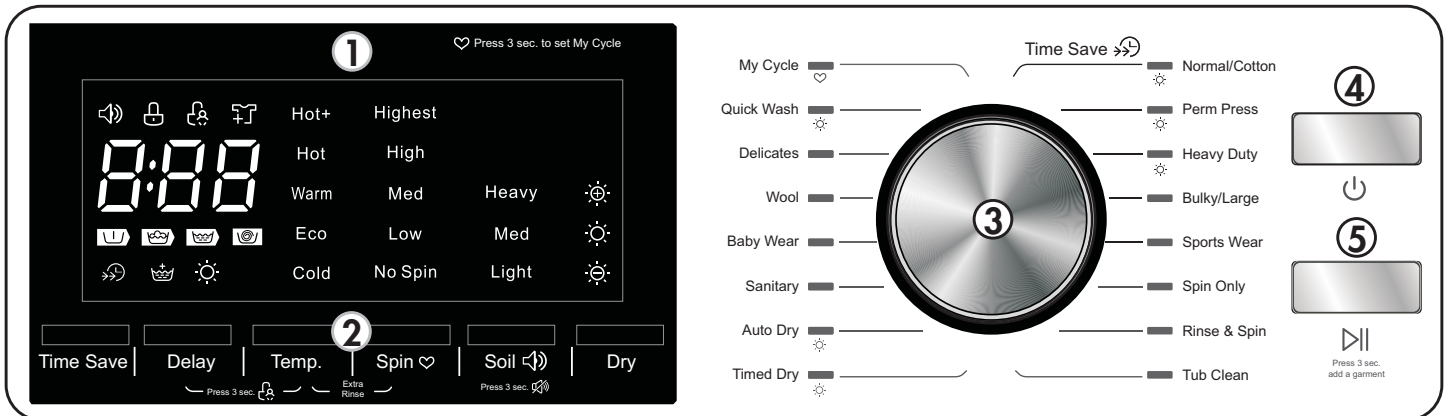


Sistema de drenaje de piso

El sistema de drenaje del piso requiere una rotura de sifón que debe comprarse por separado. La ruptura del sifón debe estar a un mínimo de 28" (71 cm) de la parte inferior de la lavadora.

INSTRUCCIONES DE OPERACIÓN

PANEL DE CONTROL



- 1. Panel de visualización:** muestra el programa actual y el estado.
- 2. Configuración de la función:** muestra la configuración de la función actual.
- 3. Botón de programa:** se utiliza para seleccionar el programa deseado.

- 4. Botón de encendido:** se utiliza para encender o apagar el aparato.
- 5. Botón de inicio / pausa:** se utiliza para iniciar un nuevo programa o para pausar un programa que ya está en progreso.

PROGRAMAS DISPONIBLES

Mi ciclo: usado para establecer y recordar un ciclo favorito. Configura el programa favorito deseado y luego mantén presionado Spin 3sec para recordarlo. Presione este botón en cualquier momento para iniciar el ciclo favorito establecido. El ciclo favorito predeterminado es Perm Press.

Lavado rápido: programa extra corto para artículos poco sucios.

Delicados: para materiales delicados lavables como seda, satinados o sintéticos.

Lana: para materiales de lana lavables. Revise la etiqueta para asegurarse de que dice "lavado a máquina" y elija la temperatura de lavado según la etiqueta de la ropa.

Ropa de bebé: se usa para ropa de bebé.

Sanitario: un lavado a alta temperatura adecuado para prendas difíciles de lavar.

Secado automático: se usa para permitir que el aparato establezca el tiempo de secado según la humedad restante en la carga de lavado.

Secado programado: se usa para establecer un tiempo de secado específico.

PROGRAMAS DISPONIBLES

Normal / Algodón: se usa para textiles resistentes al calor y al desgaste hechos de algodón o lino.

Perm Press: uso para carga normal de ropa.

Tarea pesada: se usa para cargas pesadas como toallas o jeans.

Voluminoso / grande: se usa para artículos voluminosos o grandes, como mantas.

Ropa deportiva: uso para el lavado de ropa activa.

Solo giro: se usa para agregar un ciclo de giro adicional al programa.

Enjuague y centrifugado: se usa para agregar un ciclo adicional de enjuague y centrifugado al programa.

Tina limpia: se utiliza para limpiar el interior del aparato. Se aplica esterilización a alta temperatura para limpiar el tambor de la lavadora. No agregue ropa a este ciclo, solo vinagre o lejía. Utilizar siempre que sea necesario.

INSTRUCCIONES DE OPERACIÓN

TABLA DE CICLOS DE LAVADO Y SECADO

Los parámetros descritos en esta tabla son solo para fines de referencia. Los tiempos y temperaturas reales de los ciclos pueden variar.

Normal / Cotton es el programa de lavado estándar y es adecuado para limpiar la mayoría de los artículos sucios. Es el programa más eficiente en términos de uso de agua y energía.

Programa	Lavar / secar carga (kg)	Temperatura (°C)	Hora (hours)	Velocidad de centrifugado
Normal / Cotton	12 / 6	Calentar	1:04 / 2:36	Medio
Perm Press	6	Calentar	4:58	Alto
Heavy Duty	12 / 6	Caliente	1:04 / 2:36	Medio
Bulky / Large	6	Calentar	2:18	Medio
Sport Wear	6	Calentar	2:08	Medio
Spin Only	12	N/A	0:12	Alto
Rinse & Spin	12	N/A	0:20	Alto
Tub Clean	N/A	Hot	1:58	N/A
Timed Dry	0.5 / 1.0 / 2.5	N/A	1:28	Más alto
Auto Dry	8	N/A	4:18	Más alto
Sanitary	6	Caliente	3:09	Medio
Baby Wear	12	Eco	1:39	Medio
Wool	2	Calentar	1:37	Bajo
Delicates	2.5	Eco	1:00	Bajo
Quick Wash	2	Frío	2:13	Medio

Importante: No intente secar una carga completa de ropa. Una media carga es el máximo para todos los ciclos de secado.

Nota: El tiempo de visualización predeterminado es solo el tiempo de lavado. El tiempo de secado se mostrará cuando se elija un ciclo de secado.

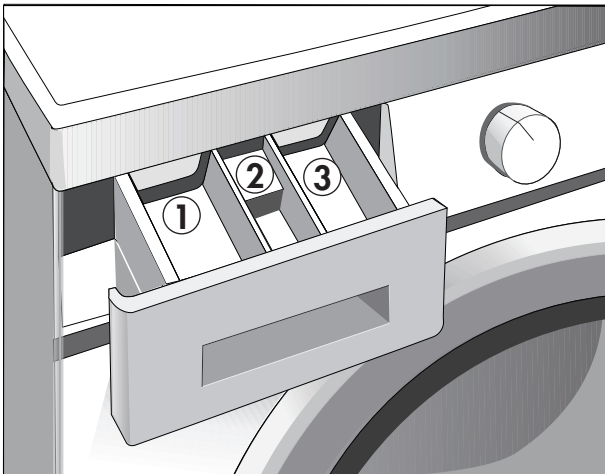
INSTRUCCIONES DE OPERACIÓN

DETERGENTE

Este aparato está diseñado para detergentes de alta eficiencia. Se recomienda utilizar de 1/4 a 1/2 de la cantidad de detergente recomendada por el fabricante del detergente. Recuerde reducir la cantidad de detergente si la carga es pequeña o está ligeramente sucia o si el suministro de agua es muy suave.

Hay tres compartimentos en el dispensador de detergente en la parte frontal del aparato.

1. Compartimiento de detergente principal.
 - Nunca exceda las recomendaciones del fabricante al agregar detergente.
 - Se puede utilizar detergente en polvo o líquido.
2. Compartimiento suavizante de telas.
 - Este compartimiento contiene un suavizante líquido para telas que se dispensará automáticamente durante el ciclo de enjuague final.
 - No exceda la línea de llenado máximo.
 - Agregar suavizante de telas es opcional.
3. Compartimiento de detergente prelavado.
 - No use más de la mitad de la cantidad que se coloca en el compartimiento principal del detergente.
 - Agregar detergente de prelavado es opcional y solo debe usarse para cargas muy sucias.



INSTRUCCION DE FUNCION

Antes de encender la lavadora, verifique lo siguiente:

- La manguera de drenaje está en la posición correcta.
- No hay fugas en las mangueras de entrada cuando los grifos están abiertos.
- El cable de alimentación está enchufado correctamente en un tomacorriente con conexión a tierra de tres clavijas.
- Todas las monedas y objetos sueltos han sido retirados de la ropa.
- Coloque la ropa en la lavadora. Coloque los artículos sueltos en la tina. No empaque los artículos apretadamente. Los artículos deben poder moverse libremente a través del agua de lavado para obtener mejores resultados de limpieza.
- Siga las instrucciones para configurar el programa de lavado deseado.
- Agregue la cantidad deseada de detergente.
- Cierre la puerta y presione el botón de inicio / pausa para comenzar el programa deseado.
- Un programa de lavado se puede pausar una vez que esté en funcionamiento presionando el botón de inicio / pausa.
- El aparato no funcionará si la tapa está abierta.
- Cuando un programa termina, suena una alarma.
- Durante el ciclo de secado, el agua extraída de la carga de lavado se drenará a través de la manguera de drenaje. Asegúrese de que la manguera de drenaje permanezca en su lugar durante el ciclo de secado.

INSTRUCCIONES DE OPERACIÓN

FUNCIÓN DE AHORRO DE TIEMPO

Esta función puede disminuir el tiempo de lavado.

Nota: La función de ahorro de tiempo se puede utilizar en los siguientes ciclos: normal / algodón, presión permanente, trabajo pesado, voluminoso / grande y ropa deportiva.

FUNCIÓN DE BLOQUEO INFANTIL

El bloqueo para niños bloqueará el panel de control para que las opciones no puedan ser elegidas o cambiadas por accidente.

Mantenga presionados los botones de función y selección al mismo tiempo durante 3 segundos para activar el bloqueo para niños.

Repita este procedimiento para desactivar el bloqueo para niños.

FUNCIÓN DE RETARDO DE TIEMPO

La función de retardo de tiempo se puede utilizar para configurar el dispositivo para que se ejecute más adelante.

Para configurar la función de retardo de tiempo:

1. Seleccione el programa de lavado y secado deseado.
2. Presione el botón de retardo varias veces para elegir la cantidad de tiempo antes de que el dispositivo ejecute el ciclo elegido.
3. Presione el botón de inicio / pausa para confirmar las selecciones. El dispositivo hará una cuenta regresiva del tiempo de demora y comenzará el programa elegido cuando se acabe el tiempo.

Nota: Si se pierde la alimentación del dispositivo durante el período de demora, el dispositivo recordará el programa cuando se restablezca la alimentación y continuará la cuenta atrás.

AÑADIR UN ARTÍCULO

Es posible agregar un elemento olvidado al dispositivo cuando ya se está ejecutando un programa de lavado.

Para agregar un artículo olvidado:

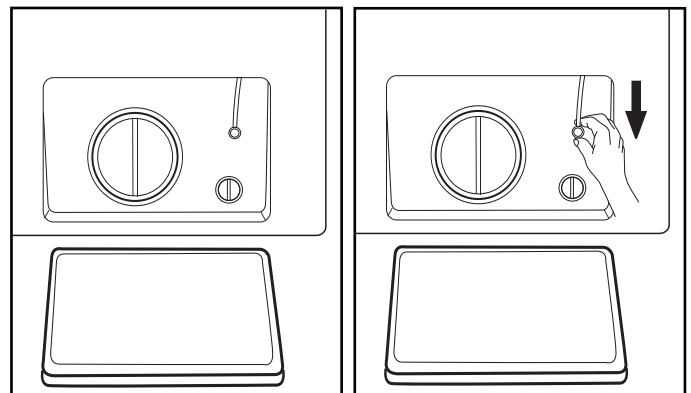
1. Mantenga presionado el botón de inicio / pausa durante 3 segundos para pausar el programa actual.
2. Espere hasta que el tambor deje de girar, el nivel del agua se encuentre debajo de la parte inferior de la puerta y la puerta se desbloquee.
3. Agrega el objeto olvidado y cierra la puerta.
4. Presione el botón de inicio / pausa para reanudar el funcionamiento.

Nota: No agregue un artículo cuando el nivel del agua sea más alto que el de la parte inferior de la puerta, ya que esto puede causar que el agua se salga del aparato.

Precaución: El interior del aparato puede estar caliente. Tenga cuidado al agregar un artículo olvidado a un programa de lavado.

APERTURA DE LA PUERTA DE EMERGENCIA

En caso de un corte de energía u otras circunstancias en las que la puerta no se pueda abrir, hay un desbloqueo de la puerta de emergencia en la parte frente del aparato. Abra la puerta del filtro y tire del cable de emergencia para abrir la puerta.



CUIDADO Y MANTENIMIENTO

LIMPIEZA

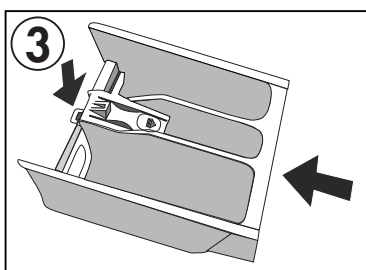
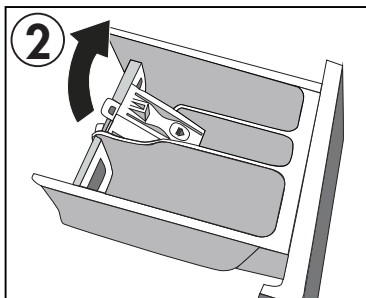
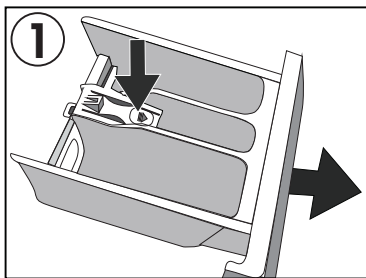
Antes de realizar cualquier limpieza o mantenimiento, asegúrese de que la manguera de entrada de agua se haya desconectado y que el cable de alimentación esté desenchufado.

Limpie el exterior del aparato con un paño tibio y húmedo. Evite el uso de detergentes o productos químicos, ya que esto puede dañar o decolorar el gabinete.

BANDEJA DE DETERGENTE

El dispensador de detergente ocasionalmente puede necesitar limpieza del detergente acumulado.

1. Presione hacia abajo en la ubicación indicada y tire del dispensador hacia afuera.
2. Levante el resbalón y retire la cubierta del suavizante. Lave el dispensador con agua tibia.
3. Vuelva a colocar la cubierta del suavizante y vuelva a colocar el dispensador en el aparato.



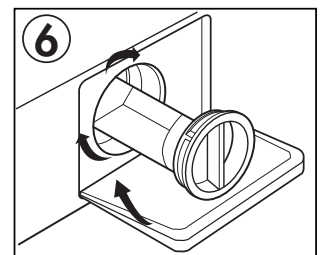
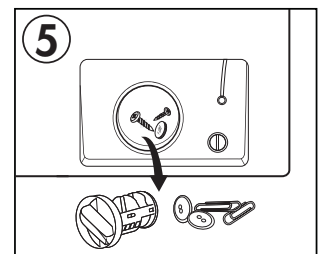
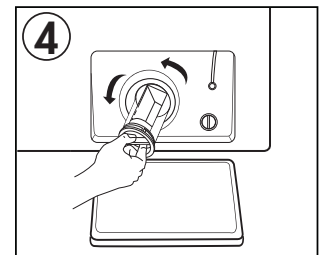
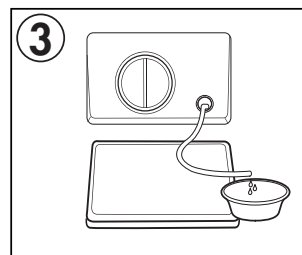
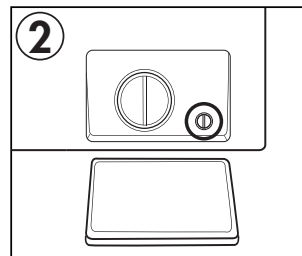
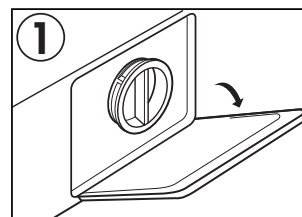
FILTRO DE GRIFO

Hay un filtro dentro de la manguera de entrada que puede necesitar ser limpiado de residuos o escamas de agua dura. Asegúrese de que el suministro de agua esté apagado antes de limpiar. Retire la manguera de entrada del grifo y enjuague con agua.

FILTRO DE LA BOMBA DE DRENAJE

El filtro de la bomba de drenaje en la parte frente del aparato debe limpiarse periódicamente de cualquier residuo acumulado.

1. Abra la tapa del desagüe.
2. Gire 90 ° y saque la manguera de drenaje inferior.
3. Drene el agua acumulada en un drenaje o recipiente.
4. Abra el filtro girándolo hacia la derecha.
5. Retire los residuos y enjuague el filtro con agua.
6. Vuelva a colocar el filtro y cierre la tapa del desagüe.



SOLUCIÓN SUGERIDA

Danby cuidado del consumidor: 1-800-263-2629

Horas de operación:

Lunes a Jueves 8:30 am - 6:00 pm Hora estándar del este

Viernes 8:30 am - 4:00 pm Hora estándar del este

La información de este manual está sujeta a cambios sin previo aviso.

PROBLEMA	CAUSA POSIBLE
La lavadora no funciona	<ul style="list-style-type: none">• No enchufado.• El disyuntor ha disparado o un fusible quemado.• La tapa no está cerrada.• La fuente de agua no está encendida.
No hay agua o suministro insuficiente de agua	<ul style="list-style-type: none">• La fuente de agua no está encendida.• La manguera de entrada de agua está doblada.• La pantalla del filtro en la entrada de agua está obstruida.
La lavadora no drena	<ul style="list-style-type: none">• La manguera de desagüe está doblada.• Hay un problema con la bomba de desagüe.
La lavadora vibra o es demasiado ruidosa	<ul style="list-style-type: none">• La lavadora no está nivelada.• La lavadora está tocando otro objeto.• La carga de la ropa no es equilibrada.
La lavadora no gira	<ul style="list-style-type: none">• La puerta no está cerrada.• La lavadora no está nivelada.
Relleno y drenaje de agua al mismo tiempo	<ul style="list-style-type: none">• Asegúrese de que la manguera de desagüe esté elevada de 0,7 m a 1,2 m del suelo; Si la manguera de desagüe es demasiado baja, puede causar que el agua salga del aparato a medida que se llena
Gabinete fugas desde abajo	<ul style="list-style-type: none">• La bañera está sobrecargada• El nivel de agua es demasiado alto para la cantidad de lavado
Ruido anormal	<ul style="list-style-type: none">• Asegúrese de que los tornillos de transporte hayan sido retirados• Asegúrese de que el aparato esté nivelado

CÓDIGOS DE ERROR

E30 - La puerta no está cerrada correctamente

E10 - La presión del agua es demasiado baja o la bomba de drenaje está instalada incorrectamente

E21 - El agua no drena correctamente

E12 - Desbordamiento de agua

EXX - Otro error

GARANTÍA LIMITADA "A DOMICILIO"

Este producto de calidad está garantizado contra defectos de fabricación, incluyendo partes y mano de obra, siempre y cuando la unidad se utilice bajo las condiciones normales de funcionamiento para las que fue diseñado. Esta garantía está solamente disponible para la persona que haya comprado originalmente esta unidad directamente de Danby Products Limited (Canada) o Danby Products Inc. (U.S.A.) (en adelante "Danby") o uno de sus distribuidores autorizados, y no es transferible.

CONDICIONES DE LA GARANTÍA

Las piezas plásticas, se autorizan por treinta (30) días solamente a partir de la fecha de la compra, sin las extensiones proporcionadas.

Primeros 12 meses Durante los primeros **doce (12) meses**, cualquier parte en buen estado de este producto que resulte defectuosa, incluyendo cualquier sistema sellado, será reparado o reemplazado, a opción del fabricante, sin cargo para el comprador ORIGINAL.

Para obtener servicio Comuníquese con el distribuidor donde haya comprado la unidad, o llame al Taller de Servicio Autorizado más cercano, donde debe ser reparada por un técnico calificado. Si esta unidad es reparada en otro lugar que no sea un Taller de Servicio Autorizado, o si la unidad se utiliza para aplicaciones comerciales, Danby no se hará responsable de ninguna forma y la garantía será anulada.

Límites del servicio técnico a domicilio Danby se reserva el derecho de limitar la cobertura de "Servicio en Domicilio" sujeto a la proximidad de un **Taller de Servicio Autorizado**. Para todo artefacto que requiera servicio fuera del área limitada de "Servicio en Domicilio", el cliente será responsable por transportar dicho artefacto hasta el Taller de Servicio Autorizado más cercano. Si el electrodoméstico está instalado en un lugar que se encuentra a **100 kilómetros (62 millas)** o más del centro de servicios más cercano, se debe llevar la unidad al Centro de servicios Danby autorizado más cercano, ya que dicho servicio sólo puede realizarlo un técnico calificado y certificado por Danby para prestar servicios de garantía.

Los cargos por transporte desde y hacia el lugar en que se efectúe el servicio técnico no están cubiertos por esta garantía y son de responsabilidad del comprador.

Nada dentro de esta garantía implica que Danby será responsable por cualquier daño que hayan sufrido los alimentos u otros contenidos de este aparato, ya sea debido a un defecto del aparato, o su uso, adecuado o inadecuado.

EXCLUSIONES

Salvo lo aquí indicado por Danby, no existen otras garantías, condiciones o representaciones, explícitas o implícitas, concretas o intencionales por parte de Danby o sus distribuidores autorizados y todas las demás garantías, condiciones o representaciones, incluyendo cualquier garantía, condiciones o representaciones bajo cualquier Acta de Venta de Productos o legislación o estatuto similar, quedan de esta forma expresamente excluidas. **Salvo lo aquí indicado, Danby no serán responsables por ningún daño a personas o bienes, incluyendo la propia unidad, sin importar su causa, o de ningún daño indirecto causado por el desperfecto de la unidad, y al comprar esta unidad, el comprador acepta por la presente, indemnizar y proteger a Danby contra cualquier reclamo por daños a personas o bienes causados por la unidad.**

CONDICIONES GENERALES

No se considerará ninguna de estas garantías o seguros cuando el daño o la necesidad de reparación sea el producto de los siguientes casos:

- 1) Falla del suministro eléctrico.
- 2) Daños en tránsito o durante el transporte de la unidad.
- 3) Alimentación incorrecta, como bajo voltaje, instalación eléctrica defectuosa o fusibles inadecuados.
- 4) Accidente, modificación, abuso o uso incorrecto del artefacto, tal como insuficiente ventilación del ambiente o condiciones de operación anormales (temperatura ambiente extremadamente alta o baja).
- 5) Utilización comercial o industrial (v.g., si el electrodoméstico no está instalado en una vivienda particular).
- 6) Incendio, daños por agua, robo, guerra, disturbios, hostilidades, actos de fuerza mayor como huracanes, inundaciones, etc.
- 7) Pedidos de servicio debido a desinformación del usuario.
- 8) Instalación inadecuada (v.g., instalación empotrada de un electrodoméstico diseñado como unidad independiente o uso de un electrodoméstico al aire libre que no esté aprobado para dicho fin, incluyendo pero no limitado a: garajes, patios, porches o en cualquier lugar que no esté bien aislado o controlado por el clima).

Se requerirá una prueba de la fecha de compra para reclamaciones de garantía; Retener las facturas de venta. En el caso de que se requiera servicio de garantía, presente el comprobante de compra a nuestro depósito de servicio autorizado.

Servicio de Garantía
Servicio en Domicilio

Danby Products Limited
PO Box 1778, Guelph, Ontario, Canada N1H 6Z9
Telephone: (519) 837-0920 FAX: (519) 837-0449

1-800-263-2629
04/17

Danby Products Inc.
PO Box 669, Findlay, Ohio, U.S.A. 45840
Telephone: (419) 425-8627 FAX: (419) 425-8629



MODEL • MODÈLE • MODELO

DWM120WDB-3