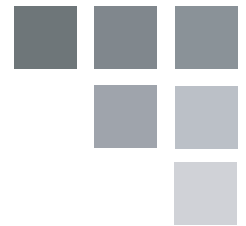




OWNER'S MANUAL
MANUEL DU PROPRIÉTAIRE
MANUAL DEL PROPIETARIO



COMPACT REFRIGERATOR Owner's Manual.....	1 - 8
RÉFRIGÉRATEUR COMPACT Manuel du propriétaire.....	9 - 16
REFRIGERADOR COMPACTO Manual del propietario.....	17 - 24

MODEL * MODÈLE * MODELO
DH016A1W
DH032A1W

Welcome

Welcome to the Danby family. We are proud of our quality products and we believe in dependable service. We suggest that you read this owner's manual before plugging in your new appliance as it contains important operation information, safety information, troubleshooting and maintenance tips to ensure the reliability and longevity of your appliance.

Visit www.Danby.com to access self service tools, FAQs and much more. For additional assistance call **1-800-263-2629**.

Note the information below; you will need this information to obtain service under warranty.

You must provide the original purchase receipt to validate your warranty and receive service.

Model Number: _____

Serial Number: _____

Date of Purchase: _____

Need Help?

Before you call for service, here are a few things you can do to help us serve you better.

Read this owner's manual:

It contains instructions to help you use and maintain your appliance properly.

If you receive a damaged appliance:

Immediately contact the retailer or builder that sold you the appliance.

Save time and money:

Check the troubleshooting section at the end of this manual before calling. This section will help you solve common problems that may occur.



1-800-26- Danby
(1-800-263-2629)



Important Safety Information

READ AND FOLLOW ALL SAFETY INSTRUCTIONS

SAFETY REQUIREMENTS

DANGER: Risk of fire or explosion. Flammable refrigerant used. Do not puncture refrigerant tubing.

- Do not use mechanical devices to defrost refrigerator.
- Ensure that servicing is done by factory authorized service personnel, to minimize product damage or safety issues.
- Consult repair manual or owner's guide before attempting to service this product. All safety precautions must be followed.
- Dispose of properly in accordance with federal or local regulations.
- Follow handling instructions carefully.

WARNING: Keep ventilation openings, in the appliance enclosure or in the built-in structure, clear of obstruction.

WARNING: Do not use mechanical devices or other means to accelerate the defrosting process, other than those recommended by the manufacturer.

WARNING: Do not damage the refrigerant circuit.

WARNING: Do not use electrical appliances inside the food storage compartments of the appliance, unless they are of the type recommended by the manufacturer.

CAUTION: Children should be supervised to ensure that they do not play with the appliance.

DANGER: Risk of child entrapment. Before throwing away an old appliance:

- Remove the door or lid.
- Leave shelves in place so that children may not easily climb inside.

This appliance is intended to be used in household and similar applications such as:

- Staff kitchen areas in shops, offices and other working environments;
- Farm houses and by clients in hotels, motels and other residential type environments;
- Bed and breakfast type environments;
- Catering and similar non-retail applications.

SAFETY REQUIREMENTS

This appliance is not intended for use by persons (including children) whose physical, sensory or mental capabilities may be different or reduced, or who lack experience or knowledge, unless such persons receive supervision or training to operate the appliance by a person responsible for their safety.

Do not store explosive substances such as aerosol cans with a flammable propellant in this appliance.

GROUNDING INSTRUCTIONS

This appliance must be grounded. Grounding reduces the risk of electrical shock by providing an escape wire for the electrical current.

This appliance has a cord that has a grounding wire with a 3-prong plug. The power cord must be plugged into an outlet that is properly grounded. If the outlet is a 2-prong wall outlet, it must be replaced with a properly grounded 3-prong wall outlet. The serial rating plate indicates the voltage and frequency the appliance is designed for.

WARNING - Improper use of the grounding plug can result in a risk of electric shock. Consult a qualified electrician or service agent if the grounding instructions are not completely understood, or if doubt exists as to whether the appliance is properly grounded.

Do not connect your appliance to extension cords or together with another appliance in the same wall outlet. Do not splice the power cord. Do not under any circumstances cut or remove the third ground prong from the power cord. Do not use extension cords or ungrounded (two prongs) adapters.

If the power supply cord is damaged, it must be replaced by the manufacturer, its service agent or similar qualified person in order to avoid hazard.

SAVE THESE INSTRUCTIONS!

OPERATING INSTRUCTIONS

LOCATION

- Two people should be used when moving the appliance.
- Place the appliance on a floor that is strong enough to support it when it is fully loaded.
- Do not place the appliance in direct sunlight or near sources of heat, such as a stove or heater, as this can increase electrical consumption. Extreme cold ambient temperatures may also cause the appliance to perform improperly.
- For optimum temperature performance, it is recommended that this appliance be at least 30% full at all times. If the appliance is not 30% full, it is recommended to add some water bottles or freezer packs to ensure temperature stability.
- Do not use the appliance near water, for example in a wet basement or near a sink.
- Before connecting the appliance to a power source, let it stand upright for approximately 6 hours to avoid damage to internal components.
- Allow 12.7 cm (5 inches) of space between the back of the appliance and the wall. Allow 5 cm (2 inches) of space between the sides and top of the appliance and all adjacent walls.
- This appliance is intended for free-standing installation only and is not intended to be built into a cabinet or counter. Building in this appliance can cause it to malfunction.
- This appliance is not designed for outside installation, including anywhere that is not temperature controlled (garages, porches, vehicles, etc.).
- This appliance is not designed for the storage of fresh food items.

IMPORTANT

This appliance is not intended for the storage of blood products or vaccines.

FIRST TIME SET UP

The first time the appliance is plugged in, the date and time must be set. The programming menu includes the following options:

- YY - used to set the year
- NN - used to set the month
- dd - used to set the day
- HH - used to set the hour
- nn - used to set the minute

To set the date and time, follow the steps below.

- 1. Year Setting:** Press and hold the Set button and the down arrow button at the same time for 5 seconds to enter the programming menu. The display will flash "YY". Press the Set button to enter the year setting. Press the up and down buttons to choose the last two digits of the correct year. Press the Set button to confirm the selection. The display will return to the selection menu and will flash "YY".
- 2. Month Setting:** Press the up button. The display will flash "NN". This is meant to indicate the month. Press the Set button to enter the month setting. Press the up and down buttons to choose the correct month. Press the Set button to confirm the selection. The display will return to the selection menu and will flash "NN".
- 3. Day Setting:** Press the up button. The display will flash "dd". Press the Set button to enter the day setting. Press the up and down buttons to choose the correct day. Press the Set button to confirm the selection. The display will return to the selection menu and will flash "dd".
- 4. Hour Setting:** Press the up button. The display will flash "HH". Press the Set button to enter the hour setting. Press the up and down buttons to choose the correct hour. Press the Set button to confirm the selection. The display will return to the selection menu and will flash "HH".
- 5. Minute Setting:** Press the up button. The display will flash "nn". This is meant to indicate the minute. Press the Set button to enter the minute setting. Press the up and down buttons to choose the correct minute. Press the Set button to confirm the selection. The display will return to the selection menu and will flash "nn".

Note: If no buttons are pressed within 10 seconds, the control panel will close the selection menu.

OPERATING INSTRUCTIONS

TEMPERATURE SELECTION

The display screen will show the current internal temperature of the appliance. The temperature of the appliance can be set between 2°C - 8°C (36°F - 46°F). Use the up and down buttons to choose the desired temperature. Press the Set button to confirm the selection.

TEMPERATURE SCALE

Temperature can be displayed in Fahrenheit or Celsius units. To change the temperature scale, press the °F/°C button. The current temperature scale will be shown by the indicator light.

CONTROL PANEL LOCK

The control panel can be locked so that it cannot be adjusted accidentally.

To set the control panel lock, press and hold the Set button for five seconds. The display will show "ON" to indicate that the lock is activated.

To disengage the control panel lock, press and hold the Set button for five seconds. The display will show "OFF" to indicate that the lock is disengaged.

LEVELING INSTRUCTIONS

There is an adjustable leg that can be turned up or down to level the appliance.

1. Turn the leveling leg counter-clockwise as far as it will go, until the top of the foot is touching the bottom of the chassis.
2. Slowly turn the leveling leg clockwise until the appliance is level.

DATA STORAGE

The appliance will record the time and temperature every 10 minutes and will store this information for up to 3 years. After three years of functioning, the data will begin to over write the existing saved data.

The data collected can be downloaded from the appliance memory by inserting a standard USB data stick into the USB connection on the control panel.

When a USB stick is inserted, the display will show "UP" to indicate that data is being uploaded. It will alternately display the current internal temperature.

Once the data is uploaded, the display will show "Ed" and a buzzer will sound to indicate that the upload is complete. The buzzer will continue to sound every 5 seconds until the USB stick is removed. Remove the USB stick and the appliance will resume normal functioning.

Note: The USB port can not be used for charging other electrical devices.

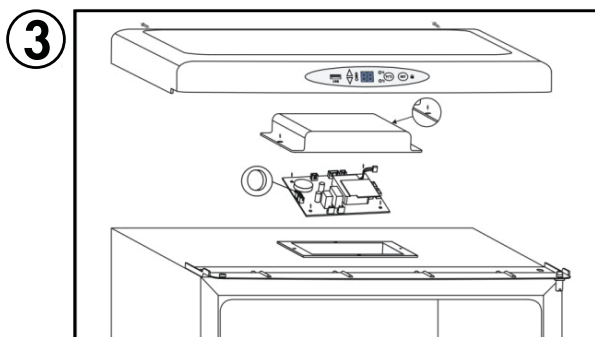
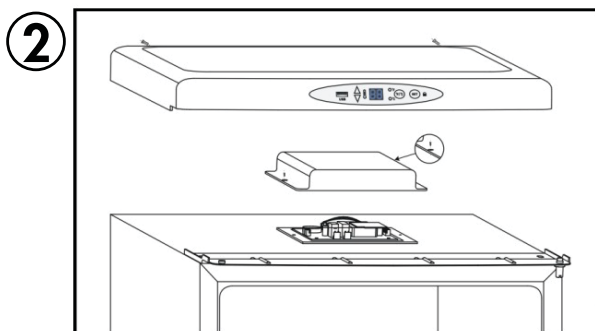
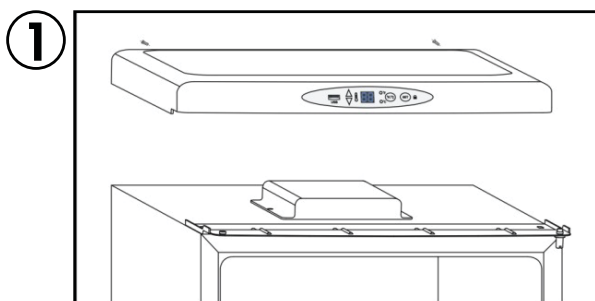
OPERATING INSTRUCTIONS

CHANGING THE BATTERY

The battery should be replaced every three years. Ensure that the appliance is unplugged before replacing the battery.

To change the battery in the appliance, follow the steps below.

1. Remove the worktop from the appliance.
2. Remove the cover from the electrical control box.
3. Remove the battery from the control board. Replace the battery with a circular CR3023 battery. Replace the cover of the electrical control box and the worktop.

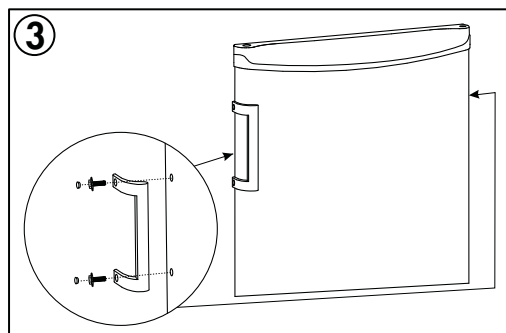
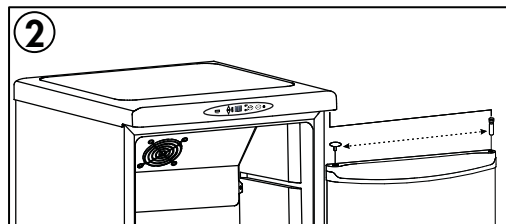
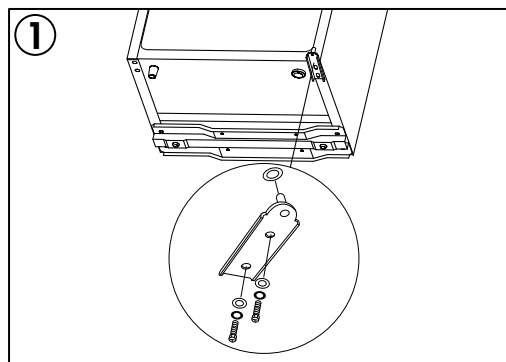


DOOR REVERSAL INSTRUCTIONS

If the appliance is placed on its back or side for any length of time during this process, it must be allowed to remain upright for 6 hours before plugging it in to avoid damage to the internal components.

To change the direction of the door swing, follow the instructions below.

1. Remove the adjustable foot from the lower right side of the cabinet. Remove the lower hinge from the lower right side of the cabinet. Remove the solid foot from the lower left side of the cabinet.
2. Remove the door from the cabinet. Unscrew the upper hinge pin from the upper right side of the worktop and install it on the upper left side of the worktop.
3. Install the door on the cabinet. Install the lower hinge on the lower left side of the cabinet. Install the adjustable foot on the lower left side of the cabinet. Install the solid foot on the lower right side of the cabinet. Remove the door handle from the left side of the door and install it on the right side of the door.



CARE & MAINTENANCE

CLEANING

Ensure the appliance is unplugged before cleaning.

- Clean the inside and the outside of the appliance with a soft cloth and a solution of a tablespoon of baking soda to one quart of water or some mild detergent.
- Wash shelves in a mild detergent solution, then dry and wipe with a soft cloth.
- It is important to keep the area clean where the door seals against the cabinet. Clean this area with a soapy cloth. Rinse with a damp cloth and let dry.

Note: Do not use cleaners containing ammonia or alcohol on the appliance. Ammonia or alcohol can damage the appearance of the appliance. Never use any commercial or abrasive cleaners or sharp objects on any part of the appliance.

POWER FAILURE

Most power failures are corrected within a few hours and should not affect the internal temperature of the appliance if the number of times the door is opened is kept to a minimum.

If power is lost, the appliance will keep all settings in its memory and will resume normal functioning automatically when power is restored.

Note: Wait 3 to 5 minutes before attempting to restart the refrigerator if operation has been interrupted.

DEFROST

This appliance is equipped with an automatic defrost function and does not require manual defrosting. Defrost water from the appliance is channeled into a drip tray located above the compressor. Heat transfer from the compressor causes the defrost water to evaporate.

VACATION

- **Short vacations:** Leave the appliance operating during vacations of less than three weeks.
- **Long vacations:** If the appliance will not be used for several months, remove all items and turn off the appliance. Clean and dry the interior thoroughly. To prevent odor and mold growth, leave the door open slightly, blocking it open if necessary.

MOVING

- Remove all contents.
- Secure all shelves and the door with tape.
- Turn the adjustable leg up to the base.
- If the appliance is placed on its back or side during transportation, upon reaching the destination, allow it to remain upright for 6 hours before plugging in to avoid damage to internal components.

DISPOSAL

This appliance may not be treated as regular household waste, it should be taken to the appropriate waste collection point for recycling of electrical components. For information on local waste collection points, contact your local waste removal agency or government office.

TROUBLESHOOTING

Danby Consumer Care: 1-800-263-2629

Hours of operation:

Monday to Thursday 8:30 am - 6:00 pm Eastern Standard Time
 Friday 8:30 am - 4:00 pm Eastern Standard Time

Information in this manual is subject to change without notice.

PROBLEM	POSSIBLE CAUSE
No power	<ul style="list-style-type: none"> • A fuse may be blown or the circuit breaker tripped • Plug not fully inserted into the wall outlet
Internal temperature not cold enough	<ul style="list-style-type: none"> • Temperature setting is too warm • Door is not shut properly or opened excessively • Recently added a large quantity of warm food to the cabinet • Close proximity to heat source or direct sunlight • Ambient temperature or humidity is very high
Appliance runs continuously	<ul style="list-style-type: none"> • Temperature setting is too cold • Door not shut properly or opened excessively • Recently added a large quantity of warm food to the cabinet • Close proximity to heat source or direct sunlight • Ambient temperature or humidity is very high

ERROR CODE	DESCRIPTION
E0	Environmental temperature sensor fault
E1	Temperature control sensor fault
L1	Storage module communication failure
EH	Temperature sensor warning - Internal temperature is 5 degrees higher than the set temperature for an extended period of time
EL	Temperature sensor warning - Internal temperature is 5 degrees lower than the set temperature for an extended period of time
Dr	Door open alarm - This alarm will sound when the door has been open for more than 3 minutes

LIMITED "CARRY IN" WARRANTY

This quality product is warranted to be free from manufacturer's defects in material and workmanship, provided that the unit is used under the normal operating conditions intended by the manufacturer.

This warranty is available only to the person to whom the unit was originally sold by Danby Products Limited (Canada) or Danby Products Inc. (U.S.A.) (hereafter "Danby") or by an authorized distributor of Danby, and is non-transferable.

TERMS OF WARRANTY

Plastic parts are warranted for thirty (30) days from the date of purchase, with no extensions provided.

First 24 months During the first **twenty four (24) months**, any functional parts of this product found to be defective, will be repaired or replaced, at warrantor's option, at no charge to the original purchaser.

To obtain service Contact the dealer where the unit was purchased, or contact the nearest authorized Danby service depot, where service must be performed by a qualified service technician. If service is performed on the unit by anyone other than an authorized service depot, all obligations of Danby under this warranty shall be void.

It is the responsibility of the purchaser to transport the appliance to the nearest authorized service depot.

Transportation charges to and from the service location are not protected by this warranty and are the responsibility of the purchaser.

Nothing within this warranty shall imply that Danby will be responsible or liable for any spoilage or damage to food or other contents of this appliance, whether due to any defect of the appliance, or its use, whether proper or improper.

EXCLUSIONS

Save as herein provided, by Danby, there are no other warranties, conditions, representations or guarantees, express or implied, made or intended by Danby or its authorized distributors and all other warranties, conditions, representations or guarantees, including any warranties, conditions, representations or guarantees under any Sale of Goods Act or like legislation or statute is hereby expressly excluded. Save as herein provided, **Danby shall not be responsible for any damages to persons or property, including the unit itself, howsoever caused or any consequential damages arising from the malfunction of the unit and by the purchase of the unit, the purchaser does hereby agree to indemnify and hold harmless Danby from any claim for damages to persons or property caused by the unit.**

GENERAL PROVISIONS

No warranty or insurance herein contained or set out shall apply when damage or repair is caused by any of the following:

- 1) Power failure.
- 2) Damage in transit or when moving the appliance.
- 3) Improper power supply such as low voltage, defective house wiring or inadequate fuses.
- 4) Accident, alteration, abuse or misuse of the appliance such as inadequate air circulation in the room or abnormal operating conditions (ie. extremely high or low room temperature).
- 5) Use for commercial or industrial purposes (ie. If the appliance is not installed in a domestic residence).
- 6) Fire, water damage, theft, war, riot, hostility, acts of God such as hurricanes, floods etc.
- 7) Service calls resulting in customer education.
- 8) Improper Installation (ie. Building-in of a free standing appliance or using an appliance outdoors that is not approved for outdoor application, including but not limited to: garages, patios, porches or anywhere that is not properly insulated or climate controlled).

Proof of purchase date will be required for warranty claims; retain bills of sale. In the event that warranty service is required, present the proof of purchase to our authorized service depot.

Warranty Service
Carry In

Danby Products Limited
PO Box 1778, Guelph, Ontario, Canada N1H 6Z9
Telephone: (519) 837-0920 FAX: (519) 837-0449

1-800-263-2629
04/17

Danby Products Inc.
PO Box 669, Findlay, Ohio, U.S.A. 45840
Telephone: (419) 425-8627 FAX: (419) 425-8629

Bienvenue

Bienvenue à la famille Danby. Nous sommes fiers de la qualité de nos produits et nous croyons au service fiable. Nous vous suggérons de lire ce manuel d'utilisation avant de brancher votre nouvel appareil, car il contient des informations importantes sur l'utilisation, la sécurité, le dépannage et la maintenance, afin d'assurer la fiabilité et la longévité de votre appareil.

Visitez www.Danby.com pour accéder aux outils d'autoservice, aux FAQ et bien plus encore. Pour obtenir de l'aide supplémentaire, composez le **1-800-263-2629**.

Notez les informations ci-dessous; Vous aurez besoin de cette information pour obtenir un service sous garantie.

Vous devez fournir le reçu d'achat original pour valider votre garantie et recevoir le service.

Numéro de modèle : _____

Numéro de serie : _____

Date d'achat : _____

Besoin d'assistance?

Avant d'appeler pour le service, voici quelques choses que vous pouvez faire pour nous aider à mieux vous servir.

Lire ce manuel du propriétaire :

Il contient des instructions pour vous aider à utiliser et à entretenir votre appareil correctement.

Si vous recevez un appareil endommagé :

Contactez immédiatement le revendeur ou l'entrepreneur qui vous a vendu l'appareil.

Gagnez du temps et de l'argent :

Avant d'appeler pour le service, consultez la section de dépannage à la fin de ce manuel. Cette section vous aidera à résoudre les problèmes courants pouvant survenir.



1-800-26- Danby
(1-800-263-2629)



Consignes de sécurité importantes

LIRE ET SUIVRE TOUTES LES INSTRUCTIONS DE SÉCURITÉ

EXIGENCES DE SÉCURITÉ

DANGER : Risque d'incendie ou d'explosion. Liquide frigorigène inflammable utilisé. Ne pas percer les tubes de réfrigérant.

- N'utilisez pas de dispositifs mécaniques pour dégivrer le réfrigérateur.
- Assurez-vous que l'entretien est effectué par le personnel de service autorisé en usine, afin de minimiser les dommages sur les produits ou les questions de sécurité.
- Consultez le manuel de réparation ou le guide du propriétaire avant d'essayer de réparer ce produit. Toutes les précautions de sécurité doivent être respectées.
- Éliminer conformément aux règlements fédéraux ou locaux.
- Suivez attentivement les instructions de manutention.

AVERTISSEMENT : Garder les ouvertures de ventilation, dans l'enceinte de l'appareil ou dans la structure intégrée, sans obstruction.

AVERTISSEMENT : N'utilisez pas de dispositifs mécaniques ou d'autres moyens pour accélérer le processus de dégivrage, autres que ceux recommandés par le fabricant.

AVERTISSEMENT : Ne pas endommager le circuit de réfrigérant.

AVERTISSEMENT : N'utilisez pas d'appareils électriques à l'intérieur des compartiments de stockage d'aliments de l'appareil, à moins qu'ils ne soient du type recommandé par le fabricant.

ATTENTION : Les enfants devraient être surveillés pour s'assurer qu'ils ne jouent pas avec l'appareil.

DANGER : Risque de piégeage des enfants. Avant de jeter un ancien appareil :

- Retirez la porte ou le couvercle.
- Laissez les étagères en place afin que les enfants ne puissent pas facilement monter à l'intérieur.

Cet appareil est destiné à être utilisé dans des applications domestiques et similaires telles que :

- Cuisines du personnel dans les magasins, les bureaux et autres environnements de travail;
- Les maisons de ferme et par les clients dans les hôtels, motels et autres environnements de type résidentiel;
- Chambres d'hôtes;
- Restauration et applications similaires non commerciales.

EXIGENCES DE SÉCURITÉ

Cet appareil n'est pas destiné à être utilisé par des personnes (y compris des enfants) dont les capacités physiques, sensorielles ou mentales peuvent être différentes ou réduites, ou qui n'ont pas d'expérience ou de connaissances, à moins que ces personnes ne reçoivent de supervision ou de formation pour faire fonctionner l'appareil par une personne responsable de leur sécurité.

Ne pas stocker des substances explosives comme les bombes aérosol avec un propulseur inflammable dans cet appareil.

INSTRUCTIONS DE MISE À LA TERRE

Cet appareil doit être mis à la terre. La mise à la terre réduit le risque de choc électrique en fournissant un fil d'échappement pour le courant électrique.

Cet appareil possède un cordon doté d'un fil de mise à la terre avec une fiche à 3 broches. Le cordon d'alimentation doit être branché sur une prise correctement mise à la terre. Si la sortie est une prise murale à 2 broches, elle doit être remplacée par une prise murale à 3 broches correctement mise à la terre. La plaque signalétique en série indique la tension et la fréquence auxquelles l'appareil est conçu.

AVERTISSEMENT - Une utilisation incorrecte de la fiche de mise à la terre peut entraîner un risque d'électrocution. Consultez un électricien qualifié ou un agent de service si les instructions de mise à la terre ne sont pas complètement comprises ou s'il existe un doute quant à savoir si l'appareil est correctement mis à la terre.

Ne branchez pas votre appareil à des rallonges ou avec un autre appareil dans la même prise murale. Ne pas épisser le cordon d'alimentation. Ne coupez ou retirez en aucun cas la troisième broche du cordon d'alimentation. N'utilisez pas de cordons de prolongement ou d'adaptateurs sans mise à la terre (deux broches).

Si le cordon d'alimentation est endommagé, il doit être remplacé par le fabricant, son agent de service ou une personne qualifiée similaire afin d'éviter tout risque.

GARDEZ CES INSTRUCTIONS!

INSTRUCTIONS D'UTILISATION

EMPLACEMENT

- Deux personnes doivent être utilisées pour déplacer l'appareil.
- Placez l'appareil sur un sol suffisamment solide pour le supporter lorsqu'il est complètement chargé.
- Ne placez pas l'appareil à la lumière directe du soleil ou à proximité de sources de chaleur, telles qu'une cuisinière ou un radiateur, car cela peut augmenter la consommation électrique. Des températures ambiantes froides extrêmes peuvent également empêcher l'appareil de fonctionner correctement.
- Pour une performance optimale de la température, il est recommandé que cet appareil soit rempli à au moins 30% en tout temps. Si l'appareil n'est pas plein à 30%, il est recommandé d'ajouter des bouteilles d'eau ou des packs de congélation pour assurer la stabilité de la température.
- N'utilisez pas l'appareil près de l'eau, par exemple dans un sous-sol humide ou près d'un évier.
- Avant de connecter l'appareil à une source d'alimentation, laissez-le reposer pendant environ 6 heures pour éviter d'endommager les composants internes.
- Laisser 12,7 cm (5 pouces) d'espace entre l'arrière de l'appareil et le mur. Laisser 5 cm (2 pouces) d'espace entre les côtés et le dessus de l'appareil et tous les murs adjacents.
- Cet appareil est destiné uniquement à une installation autonome et n'est pas conçu pour être intégré dans une armoire ou un comptoir. La construction de cet appareil peut entraîner un dysfonctionnement.
- Cet appareil n'est pas conçu pour être installé à l'extérieur, y compris dans les endroits où la température n'est pas contrôlée (garages, porches, véhicules, etc.).
- Cet appareil n'est pas conçu pour le stockage d'aliments frais.

IMPORTANT

Cet appareil ne doit pas être utilisé pour le stockage de produits sanguins ou de vaccins.

PREMIÈRE MISE EN PLACE

La première fois que l'appareil est branché, la date et l'heure doivent être réglées. Le menu de programmation comprend les options suivantes:

- YY - utilisé pour définir l'année
- NN - utilisé pour définir le mois
- dd - utilisé pour définir le jour
- HH - utilisé pour définir l'heure
- nn - utilisé pour définir la minute

Pour régler la date et l'heure, suivez les étapes ci-dessous.

1. **Réglage de l'année:** Appuyez et maintenez le bouton Set et le bouton fléché vers le bas en même temps pendant 5 secondes pour entrer dans le menu de programmation. L'affichage clignotera "YY". Appuyez sur le bouton Set pour entrer le réglage de l'année. Appuyez sur les boutons haut et bas pour choisir les deux derniers chiffres de l'année correcte. Appuyez sur le bouton Set pour confirmer la sélection. L'affichage reviendra au menu de sélection et clignotera "YY".
2. **Réglage du mois:** Appuyez sur le bouton haut. L'affichage clignotera "NN". Ceci est destiné à indiquer le mois. Appuyez sur le bouton Set pour entrer le réglage du mois. Appuyez sur les boutons haut et bas pour choisir le bon mois. Appuyez sur le bouton Set pour confirmer la sélection. L'affichage retournera au menu de sélection et clignotera "NN".
3. **Réglage de la journée:** Appuyez sur le bouton haut. L'affichage clignotera "dd". Appuyez sur le bouton Set pour entrer le réglage du jour. Appuyez sur les boutons haut et bas pour choisir le bon jour. Appuyez sur le bouton Set pour confirmer la sélection. L'affichage retournera au menu de sélection et clignotera "dd".
4. **Réglage de l'heure:** Appuyez sur le bouton haut. L'affichage clignotera "HH". Appuyez sur le bouton Set pour entrer le réglage de l'heure. Appuyez sur les boutons haut et bas pour choisir l'heure correcte. Appuyez sur le bouton Set pour confirmer la sélection. L'affichage retournera au menu de sélection et clignotera "HH".
5. **Réglage des minutes:** Appuyez sur le bouton haut. L'affichage clignotera "nn". Ceci est destiné à indiquer la minute. Appuyez sur le bouton Set pour entrer le réglage des minutes. Appuyez sur les boutons haut et bas pour choisir la bonne minute. Appuyez sur le bouton Set pour confirmer la sélection. L'affichage retournera au menu de sélection et clignotera "nn".

Remarque: Si vous n'appuyez sur aucune touche dans les 10 secondes, le panneau de commande ferme le menu de sélection.

INSTRUCTIONS D'UTILISATION

SÉLECTION DE LA TEMPÉRATURE

L'écran affiche la température interne actuelle de l'appareil. La température de l'appareil peut être réglée entre 2 °C et 8 °C (36 °F et 46 °F). Utilisez les boutons haut et bas pour choisir la température désirée. Appuyez sur le bouton Set pour confirmer la sélection.

ÉCHELLE DE TEMPÉRATURE

La température peut être affichée en unités Fahrenheit ou Celsius. Pour changer l'échelle de température, appuyez sur le bouton °F / °C. L'échelle de température actuelle sera indiquée par le voyant lumineux.

VERROU DU PANNEAU DE COMMANDE

Le panneau de commande peut être verrouillé de sorte qu'il ne peut pas être ajusté accidentellement.

Pour régler le verrouillage du panneau de commande, appuyez sur le bouton Set et maintenez-le enfoncé pendant cinq secondes. L'affichage indiquera "ON" pour indiquer que le verrouillage est activé.

Pour désactiver le verrouillage du panneau de commande, appuyez sur le bouton de réglage et maintenez-le enfoncé pendant cinq secondes. L'affichage indiquera "OFF" pour indiquer que le verrou est désengagé.

INSTRUCTIONS DE NIVEAU

Il y a une jambe réglable qui peut être tournée vers le haut ou vers le bas pour mettre l'appareil à niveau.

1. Tournez la patte de mise à niveau dans le sens inverse des aiguilles d'une montre aussi loin que possible, jusqu'à ce que le haut du pied touche le bas du châssis.
2. Tournez lentement la patte de mise à niveau dans le sens des aiguilles d'une montre jusqu'à ce que l'appareil soit de niveau.

STOCKAGE DE DONNÉES

L'appareil enregistre l'heure et la température toutes les 10 minutes et stocke ces informations pendant 3 ans maximum. Après trois ans de fonctionnement, les données commenceront à écrire les données sauvegardées existantes.

Les données collectées peuvent être téléchargées à partir de la mémoire de l'appareil en insérant une clé USB standard dans la connexion USB du panneau de commande.

Lorsqu'une clé USB est insérée, l'écran affiche «UP» pour indiquer que les données sont en cours de téléchargement. Il affichera alternativement la température interne actuelle.

Une fois les données téléchargées, l'écran affiche "Ed" et un signal sonore retentit pour indiquer que le téléchargement est terminé. Le buzzer continuera à retentir toutes les 5 secondes jusqu'à ce que la clé USB soit retirée. Retirez la clé USB et l'appareil reprendra son fonctionnement normal.

Remarque: Le port USB ne peut pas être utilisé pour charger d'autres appareils électriques.

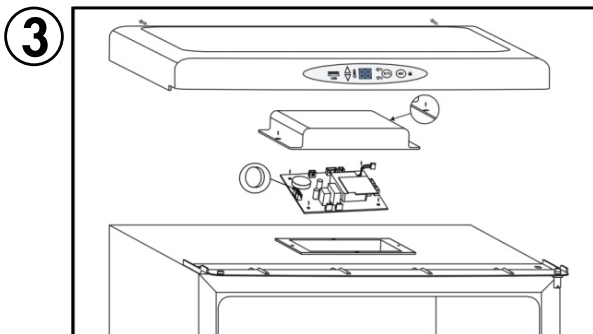
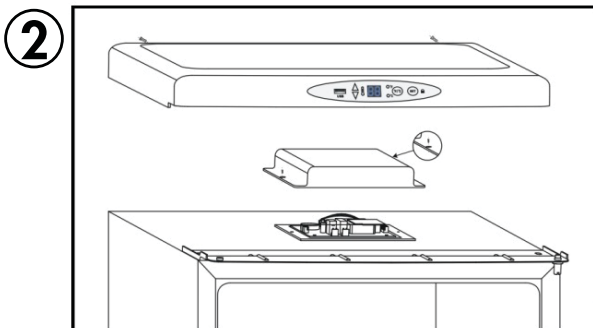
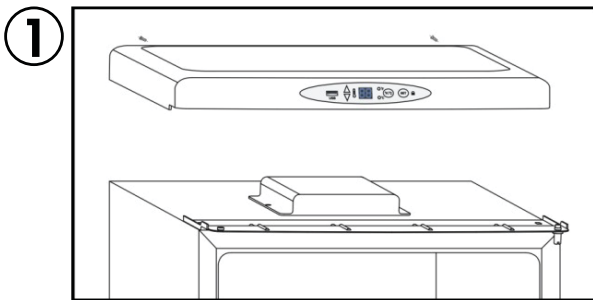
INSTRUCTIONS D'UTILISATION

REPLACER LES PILES

La pile doit être remplacée tous les trois ans. Assurez-vous que l'appareil est débranché avant de remplacer la pile.

Pour changer la pile dans l'appareil, suivez les étapes ci-dessous.

1. Retirez le plan de travail de l'appareil.
2. Retirez le couvercle du boîtier de commande électrique.
3. Retirez la pile du tableau de commande. Remplacez la pile par une batterie circulaire CR3023. Remplacez le couvercle du boîtier de commande électrique et le plan de travail.

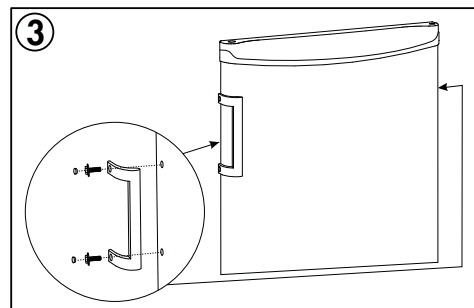
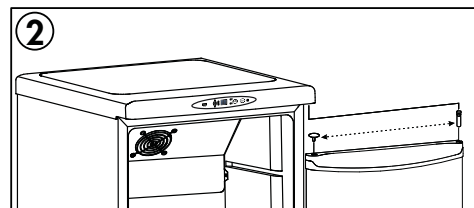
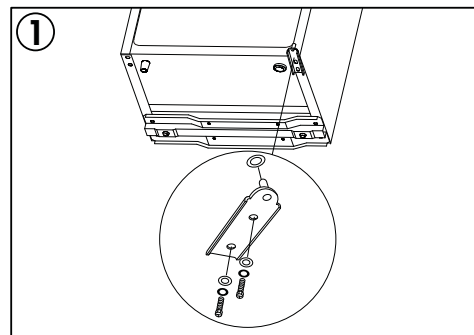


INSTRUCTIONS D'INVERSION DE PORTE

Si l'appareil est placé sur le dos ou sur le côté pendant un certain temps pendant ce processus, il doit être autorisé à rester debout pendant 6 heures avant de le brancher pour éviter d'endommager les composants internes.

Pour changer la direction de la balançoire, suivez les instructions ci-dessous.

1. Retirez le pied réglable du côté inférieur droit de l'armoire. Retirez la charnière inférieure du côté inférieur droit de l'armoire. Retirez le pied solide du côté inférieur gauche de l'armoire.
2. Retirez la porte de l'armoire. Dévissez l'axe de charnière supérieure du côté supérieur droit du plan de travail et installez-le sur le côté supérieur gauche du plan de travail.
3. Installez la porte sur l'armoire. Installez la charnière inférieure sur le côté inférieur gauche de l'armoire. Installez le pied réglable sur le côté inférieur gauche de l'armoire. Installez le pied solide sur le côté inférieur droit de l'armoire. Retirez la poignée de porte du côté gauche de la porte et installez-la sur le côté droit de la porte.



NETTOYAGE

Assurez-vous que l'appareil est débranché avant de le nettoyer.

- Nettoyez l'intérieur et l'extérieur de l'appareil avec un chiffon doux et une solution d'une cuillère à soupe de bicarbonate de soude pour un litre d'eau ou un détergent doux.
- Laver les étagères dans une solution détergente douce, puis sécher et essuyer avec un chiffon doux.
- Il est important de garder la zone propre où la porte scelle contre le cabinet. Nettoyez cette zone avec un chiffon savonneux. Rincer avec un linge humide et laisser sécher.

Remarque: N'utilisez pas de nettoyeurs contenant de l'ammoniaque ou de l'alcool sur l'appareil. L'ammoniac ou l'alcool peuvent endommager l'apparence de l'appareil. N'utilisez jamais de nettoyeurs commerciaux ou abrasifs ou d'objets pointus sur toute partie de l'appareil.

PANNE DE COURANT

La plupart des coupures de courant sont corrigées en quelques heures et ne devraient pas affecter la température interne de l'appareil si le nombre de fois que la porte est ouverte est réduit au minimum.

Si l'alimentation est coupée, l'appareil conservera tous les paramètres dans sa mémoire et reprendra son fonctionnement normal automatiquement une fois l'alimentation rétablie.

Remarque: Attendez 3 à 5 minutes avant d'essayer de redémarrer le réfrigérateur si l'opération a été interrompue.

DÉGIVRER

Cet appareil est équipé d'une fonction de dégivrage automatique et ne nécessite pas de dégivrage manuel. Le dégivrage de l'eau de l'appareil est canalisé dans un tiroir situé au-dessus du compresseur. Le transfert de chaleur du compresseur provoque l'évaporation de l'eau de dégivrage.

VACANCES

- **Courtes vacances:** Laissez le unité fonctionner pendant les vacances durant moins de trois semaines.
- **Longues vacances:** Si l'unité ne doit pas être utilisé pendant plusieurs mois, retirez tout ce qu'il contient et mettez-le hors tension. Nettoyez et asséchez à fond l'intérieur. Pour éviter les odeurs et le développement de moisissures, laissez la porte entrouverte, la coincer au besoin.

DÉMÉNAGER

- Retirez tout le contenu.
- Fixez toutes les étagères et la porte avec du ruban adhésif.
- Tournez la jambe réglable jusqu'à la base.
- Si l'appareil est placé sur le dos ou sur le côté pendant le transport, à la destination, laissez-le reposer pendant 6 heures avant de le brancher pour éviter d'endommager les composants internes.

ÉLIMINATION DES DÉCHETS

Ce produit ne doit pas être traité comme un déchet domestique ordinaire, il doit être transporté au point de collecte approprié pour le recyclage des composants électriques. Pour obtenir des renseignements sur les points de collecte des déchets locaux, communiquez avec votre agence locale de traitement des déchets ou avec le bureau du gouvernement.

DÉPANNAGE

Danby soins du consommateur : 1-800-263-2629

Heures d'ouverture :

Du lundi au jeudi, de 8 h 30 à 18 h, heure de l'Est

Vendredi, de 8 h 30 à 16 h, heure de l'Est

Les informations contenues dans ce manuel sont sujettes à modification sans préavis.

PROBLÈME	CAUSE POSSIBLE
L'appareil n'est pas alimenté	<ul style="list-style-type: none">• Un fusible de votre panneau de distribution peut être grillé ou le disjoncteur déclenché• La fiche n'est pas complètement insérée dans prise murale
La température interne n'est pas assez froide	<ul style="list-style-type: none">• Le réglage de la température est trop chaud• Le porte n'est pas fermées correctement ou ouverte trop souvent• Ajout récemment d'une grande quantité de nourriture chaude au cabinet• Proximité de la source de chaleur ou de la lumière directe du soleil• La température ambiante ou l'humidité est très élevée
L'appareil fonctionne en continu	<ul style="list-style-type: none">• Le réglage de la température est trop froid• Le porte n'est pas fermées correctement ou ouverte trop souvent• Ajout récemment d'une grande quantité de nourriture chaude au cabinet• Proximité de la source de chaleur ou de la lumière directe du soleil• La température ambiante ou l'humidité est très élevée

CODE D'ERREUR	DESCRIPTION
E0	Défaut du capteur de température ambiante
E1	Erreur de capteur de contrôle de température
L1	Échec de communication du module de stockage
EH	Avertissement du capteur de température - La température interne est supérieure de 5 degrés à la température réglée pendant une période prolongée
EL	Avertissement du capteur de température - La température interne est inférieure de 5 degrés à la température réglée pendant une période prolongée
Dr	Alarme porte ouverte - Cette alarme retentira lorsque la porte est ouverte depuis plus de 3 minutes

GARANTIE LIMITÉE « EN ATELIER »

Cet appareil de qualité est garanti exempt de tout vice de matière première et de fabrication, s'il est utilisé dans les conditions normales recommandées par le fabricant.

Cette garantie n'est offerte qu'à l'acheteur initial de l'appareil vendu par Danby Products Limited (Canada) ou Danby Products Inc. (É.-U.) (ci-après « Danby ») ou par l'un des ses distributeurs agréés et elle ne peut être transférée.

CONDITIONS

Les pièces en plastique sont garanties pendant trente (30) jours seulement à partir de la date de l'achat, sans aucune prolongation prévue.

Premiers 24 mois Pendant les premiers **vingt quatre (24) mois**, toutes les pièces fonctionnelles de ce produit qui s'avèrent défectueuses seront réparées ou remplacées, selon le choix du garant, sans frais à l'acheteur initial.

Pour obtenir un service Contactez le revendeur où l'appareil a été acheté ou contactez le dépôt de service Danby autorisé le plus proche, où le service doit être effectué par un technicien de service qualifié. Si le service est effectué sur l'appareil par une personne autre qu'un dépôt de service autorisé, toutes les obligations de Danby en vertu de cette garantie seront annulées.

Il est de la responsabilité de l'acheteur de transporter l'appareil vers le dépôt de service agréé le plus proche.

Les frais de transport entre votre domicile et le lieu de l'entretien ne sont pas couverts par la présente garantie et doivent être acquittés par l'acheteur.

Aucune partie de la garantie ne prévoit implicitement que le fabricant sera tenu responsable des dommages subis par les aliments ou d'autres types de contenu, qu'ils soient causés par la défectuosité de l'appareil ou par son usage adéquat ou inadéquat.

EXCLUSIONS

En vertu de la présente, il n'existe aucune autre garantie, condition ou représentation, qu'elle soit exprimée ou tacite, de façon manifeste ou intentionnelle, par Danby ou ses distributeurs agréés. De même, sont exclues toutes les autres garanties, conditions ou représentations, y compris les garanties, conditions ou représentations en vertu de toute loi régissant la vente de produits ou de toute autre législation ou règlement semblable. **En vertu de la présente, Danby ne peut être tenue responsable en cas de blessures corporelles ou de dégâts matériels, y compris à l'appareil, quelle qu'en soit les causes. Danby ne peut pas être tenue responsable des dommages indirects dus au fonctionnement défectueux de l'appareil. En achetant l'appareil, l'acheteur accepte de tenir sans reproche et de dégager Danby de toute responsabilité en cas de réclamation pour toute blessure corporelle ou tout dégât matériel causé par cet appareil.**

CONDITIONS GÉNÉRALES

La garantie ou assurance ci-dessus ne s'applique pas si les dégâts ou réparations sont dus aux cas suivants :

- 1) Panne de courant.
- 2) Dommages subis pendant le transport ou le déplacement de l'appareil.
- 3) Alimentation électrique incorrecte (tension faible, câblage défectueux, fusibles incorrects).
- 4) Accident, modification, emploi abusif ou incorrect de l'appareil tel qu'une circulation d'air inadéquate dans la pièce ou des conditions de fonctionnement anormales (température extrêmement élevée ou basse).
- 5) Utilisation dans un but commercial ou industriel (à savoir, si l'appareil n'est pas installé dans un domicile résidentiel).
- 6) Incendie, dommages causés par l'eau, le vol, la guerre, une émeute, des hostilités, ou en cas de force majeure (ouragan, inondation, etc.).
- 7) Visites d'un technicien pour expliquer le fonctionnement de l'appareil au propriétaire.
- 8) Installation inappropriée (par exemple, encastrement d'un appareil autoportant, ou utilisation extérieure d'un appareil non conçu à cet effet, y compris, mais sans s'y limiter : les garages, les patios, les porches ou ailleurs, qui ne sont pas correctement isolés ou climatisés).

La preuve de la date d'achat sera requise pour les réclamations de garantie; conserver la facture de vente. Dans le cas où un service de garantie est requis, présentez la preuve d'achat à notre dépôt de service agréé.

Service sous garantie

En Atelier

Danby Products Limited
PO Box 1778, Guelph, Ontario, Canada N1H 6Z9
Téléphone : (519) 837-0920 Télécopieur : (519) 837-0449

1-800-263-2629
02/18

Danby Products Inc.
PO Box 669, Findlay, Ohio, U.S.A. 45840
Téléphone : (419) 425-8627 Télécopieur : (419) 425-8629

Bienvenido

Bienvenido a la familia Danby. Estamos orgullosos de nuestros productos de calidad y creemos en un servicio confiable. Sugerimos que lea este manual del propietario antes de conectar el nuevo aparato ya que contiene información importante sobre la operación, información de seguridad, solución de problemas y consejos de mantenimiento para garantizar la fiabilidad y longevidad de su electrodoméstico.

Visite **www.Danby.com** para acceder a herramientas de autoservicio, preguntas frecuentes y mucho más. Para asistencia adicional, llame al **1-800-263-2629**.

Tenga en cuenta la información siguiente; Necesitará esta información para obtener un servicio bajo garantía.

Debe proporcionar el recibo de compra original para validar su garantía y recibir servicio.

Número de modelo: _____

Número de serie: _____

Fecha de compra: _____

Necesitas ayuda?

Antes de llamar al servicio, aquí hay algunas cosas que puede hacer para ayudarnos a servirle mejor.

Lea este manual del propietario:

Contiene instrucciones para ayudarlo a usar y mantener su aparato correctamente.

Si recibe un aparato dañado:

Inmediatamente póngase en contacto con el minorista o el constructor que le vendió el aparato.

Ahorre tiempo y dinero:

Consulte la sección de solución de problemas al final de este manual antes de llamar. Esta sección le ayudará a resolver problemas comunes que pueden ocurrir.



1-800-26- Danby
(1-800-263-2629)



Importantes Instrucciones de Seguridad

LEA Y SIGA TODAS LAS INSTRUCCIONES DE SEGURIDAD

REQUERIMIENTOS DE SEGURIDAD

PELIGRO: Riesgo de incendio o explosión. Refrigerante inflamable usado. No perforar la tubería del refrigerante.

- No utilice dispositivos mecánicos para descongelar el refrigerador.
- Asegúrese de que el personal de mantenimiento autorizado por la fábrica haga el mantenimiento para minimizar los daños o problemas de seguridad del producto.
- Consulte el manual de reparación o la guía del propietario antes de intentar reparar este producto. Todas las precauciones de seguridad deben ser seguidas.
- Deseche adecuadamente de acuerdo con las regulaciones federales o locales.
- Siga cuidadosamente las instrucciones de manipulación.

ADVERTENCIA: Mantenga las aberturas de ventilación, en la caja del aparato o en la estructura incorporada, sin obstrucción.

ADVERTENCIA: No utilice dispositivos mecánicos u otros medios para acelerar el proceso de descongelación, distintos de los recomendados por el fabricante.

ADVERTENCIA: No dañar el circuito refrigerante.

ADVERTENCIA: No utilice electrodomésticos dentro de los compartimentos de almacenamiento de alimentos del aparato, a menos que sean del tipo recomendado por el fabricante.

PRECAUCIÓN: Los niños deben ser supervisados para asegurarse de que no juegan con el aparato.

PELIGRO: Riesgo de atrapamiento de niños. Antes de tirar un electrodoméstico viejo:

- Retire la puerta o la tapa.
- Deje los estantes en su lugar para que los niños no puedan subir fácilmente dentro.

Este dispositivo está destinado a ser utilizado en aplicaciones domésticas y similares, tales como:

- Cocinas de personal en tiendas, oficinas y otros entornos de trabajo;
- Casas rurales y clientes en hoteles, moteles y otros entornos de tipo residencial;
- Cama y desayuno;
- Catering y aplicaciones similares no minoristas.

REQUERIMIENTOS DE SEGURIDAD

Este aparato no está diseñado para ser usado por personas (incluyendo niños) cuyas capacidades físicas, sensoriales o mentales pueden ser diferentes o reducir, o que carecen de experiencia o conocimiento, a menos que dichas personas reciban supervisión o entrenamiento para operar el aparato por una persona responsable de su la seguridad.

No almacene sustancias explosivas como aerosoles con propelente inflamable en este electrodoméstico.

INSTRUCCIONES DE CONEXION A TIERRA

Este aparato debe estar conectado a tierra. La puesta a tierra reduce el riesgo de descarga eléctrica proporcionando un cable de escape para la corriente eléctrica.

Este aparato tiene un cable que tiene un cable de conexión a tierra con un enchufe de 3 clavijas. El cable de alimentación debe estar enchufado en un tomacorriente que esté debidamente conectado a tierra. Si el tomacorriente es un enchufe de pared de 2 terminales, debe ser reemplazado por un tomacorriente de pared de 3 clavijas debidamente conectado a tierra. La placa de características en serie indica el voltaje y la frecuencia que el aparato está diseñado para.

ADVERTENCIA - El uso incorrecto del enchufe de conexión a tierra puede resultar en un riesgo de descarga eléctrica. Consulte a un electricista calificado o agente de servicio si las instrucciones de conexión a tierra no se entienden completamente o si existe duda sobre si el aparato está debidamente conectado a tierra.

No conecte el aparato a los cables de extensión ni con otro aparato en la misma toma de corriente. No empalme el cable de alimentación. No corte ni extraiga en ningún caso la tercera clavija de tierra del cable de alimentación. No utilice cables de extensión ni adaptadores sin conexión a tierra (dos clavijas).

Si el cable de alimentación está dañado, debe ser reemplazado por el fabricante, su agente de servicio o persona calificada similar para evitar riesgos.

¡GUARDE ESTAS INSTRUCCIONES!

INSTRUCCIONES DE OPERACIÓN

UBICACIÓN

- Se deben usar dos personas al mover el artefacto.
- Coloque el aparato en un piso lo suficientemente fuerte como para soportarlo cuando esté completamente cargado.
- No coloque el aparato a la luz solar directa ni cerca de fuentes de calor, como una estufa o un calentador, ya que esto puede aumentar el consumo eléctrico. Las temperaturas ambientales frías extremas también pueden causar que el dispositivo funcione incorrectamente.
- Para un rendimiento óptimo de la temperatura, se recomienda que este aparato esté lleno al menos en un 30% en todo momento. Si el aparato no está lleno al 30%, se recomienda agregar algunas botellas de agua o paquetes de congelador para garantizar la estabilidad de la temperatura.
- No use el aparato cerca del agua, por ejemplo, en un sótano húmedo o cerca de un fregadero.
- Antes de conectar el aparato a una fuente de alimentación, déjelo en posición vertical durante aproximadamente 6 horas para evitar daños a los componentes internos.
- Deje 12.7 cm (5 pulgadas) de espacio entre la parte posterior del dispositivo y la pared. Deje 5 cm (2 pulgadas) de espacio entre los lados y la parte superior del aparato y todas las paredes adyacentes.
- Este electrodoméstico está diseñado solo para su instalación independiente y no está diseñado para ser instalado en un gabinete o mostrador. La construcción de este dispositivo puede causar un mal funcionamiento.
- Este electrodoméstico no está diseñado para instalarse en el exterior, incluso en lugares donde no se controla la temperatura (garajes, porches, vehículos, etc.).
- Este electrodoméstico no está diseñado para el almacenamiento de alimentos frescos.

IMPORTANTE

Este aparato no debe usarse para el almacenamiento de productos sanguíneos o vacunas.

PRIMERA CONFIGURACIÓN

La primera vez que se conecta el dispositivo, debe establecerse la fecha y la hora. El menú de programación incluye las siguientes opciones:

- YY - se utiliza para ajustar el año
- NN - se utiliza para ajustar el mes
- dd - se utiliza para ajustar el día
- HH - se utiliza para ajustar la hora
- nn - se utiliza para ajustar el minuto

Para configurar la fecha y la hora, siga los pasos a continuación.

1. **Ajuste de año:** Mantenga presionado el botón Establecer y el botón de flecha hacia abajo al mismo tiempo durante 5 segundos para ingresar al menú de programación. La pantalla mostrará "YY". Presione el botón Establecer para ingresar la configuración del año. Presione los botones hacia arriba y hacia abajo para elegir los últimos dos dígitos del año correcto. Presione el botón Establecer para confirmar la selección. La pantalla volverá al menú de selección y parpadeará "YY".
2. **Ajuste de mes:** Presione el botón de subir. La pantalla parpadeará "NN". Esto está destinado a indicar el mes. Presione el botón Establecer para ingresar la configuración del mes. Presione los botones hacia arriba y hacia abajo para elegir el mes correcto. Presione el botón Establecer para confirmar la selección. La pantalla volverá al menú de selección y parpadeará "NN".
3. **Ajuste del día:** Presione el botón de subir. La pantalla mostrará "dd". Presione el botón Establecer para ingresar a la configuración del día. Presione los botones hacia arriba y hacia abajo para elegir el día correcto. Presione el botón Establecer para confirmar la selección. La pantalla volverá al menú de selección y parpadeará "dd".
4. **Ajuste de la hora:** Presione el botón de subir. La pantalla parpadeará "HH". Presione el botón Establecer para ingresar la configuración de la hora. Presione los botones hacia arriba y hacia abajo para elegir la hora correcta. Presione el botón Establecer para confirmar la selección. La pantalla volverá al menú de selección y parpadeará "HH".
5. **Ajuste de minutos:** Presione el botón de subir. La pantalla parpadeará "nn". Esto es para indicar el minuto. Presione el botón Establecer para ingresar la configuración de minutos. Presione los botones hacia arriba y hacia abajo para elegir el minuto correcto. Presione el botón Establecer para confirmar la selección. La pantalla volverá al menú de selección y parpadeará "nn".

Nota: Si no se presiona ningún botón dentro de 10 segundos, el panel de control cerrará el menú de selección.

INSTRUCCIONES DE OPERACIÓN

SELECCION DE TEMPERATURA

La pantalla de visualización mostrará la temperatura interna actual del aparato. La temperatura del aparato puede ajustarse entre 2°C - 8°C (36°F - 46°F). Use los botones arriba y abajo para elegir la temperatura deseada. Presione el botón Establecer para confirmar la selección.

LA ESCALA DE TEMPERATURA

La temperatura puede mostrarse en unidades Fahrenheit o Celsius. Para cambiar la escala de temperatura, presione el botón °F / °C. La escala de temperatura actual se mostrará con la luz indicadora.

BLOQUEO DEL PANEL DE CONTROL

El panel de control se puede bloquear para que no pueda ajustarse accidentalmente.

Para configurar el bloqueo del panel de control, mantenga presionado el botón Establecer durante cinco segundos. La pantalla mostrará "ON" para indicar que el bloqueo está activado.

Para desactivar el bloqueo del panel de control, mantenga presionado el botón Establecer durante cinco segundos. La pantalla mostrará "OFF" para indicar que el bloqueo está desactivado.

INSTRUCCIONES DE NIVELACIÓN

Hay una pata ajustable que se puede subir o bajar para nivelar el aparato.

1. Gire la pata de nivelación hacia la izquierda hasta el tope, hasta que la parte superior del pie toque la parte inferior del chasis.
2. Gire lentamente la pata de nivelación en el sentido de las agujas del reloj hasta que el electrodoméstico esté nivelado.

ALMACENAMIENTO DE DATOS

El aparato registrará la hora y la temperatura cada 10 minutos y almacenará esta información por hasta 3 años. Después de tres años de funcionamiento, los datos comenzarán a sobre escribir los datos guardados existentes.

Los datos recopilados se pueden descargar desde la memoria del dispositivo insertando un dispositivo de datos USB estándar en la conexión USB en el panel de control.

Cuando se inserta una memoria USB, la pantalla mostrará "UP" para indicar que se están cargando los datos. Aparecerá alternativamente la temperatura interna actual.

Una vez que los datos se cargan, la pantalla mostrará "Ed" y sonará un zumbido para indicar que la carga está completa. El zumbador continuará sonando cada 5 segundos hasta que se quite la memoria USB. Retire la memoria USB y el dispositivo reanudará el funcionamiento normal.

Nota: El puerto USB no se puede usar para cargar otros dispositivos eléctricos.

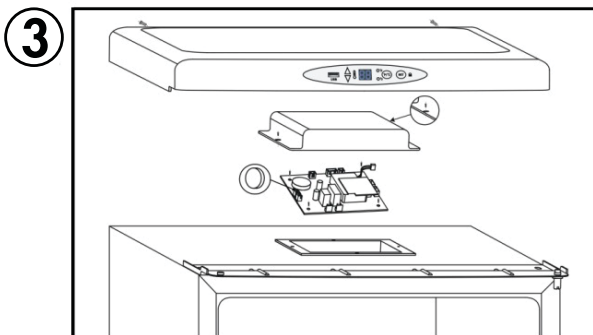
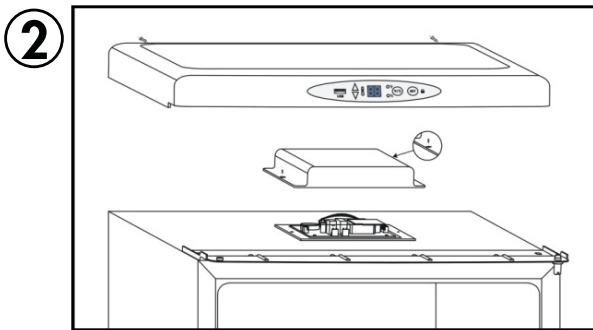
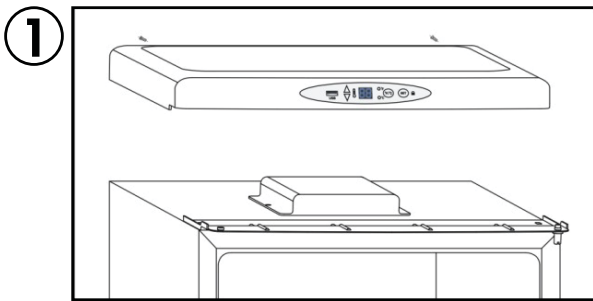
INSTRUCCIONES DE OPERACIÓN

CAMBIANDO LA BATERÍA

La batería debe reemplazarse cada tres años. Asegúrese de que el dispositivo esté desenchufado antes de reemplazar la batería.

Cambie la batería del dispositivo, siga los pasos a continuación.

1. Retire la encimera del electrodoméstico.
2. Retire la tapa de la caja de control eléctrico.
3. Retire la batería del tablero de control. Reemplace la batería con una batería circular CR3023. Vuelva a colocar la tapa de la caja de control eléctrico y la encimera.

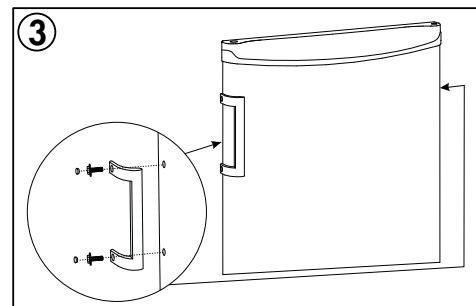
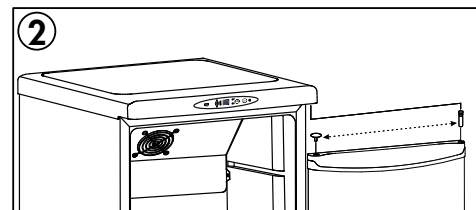
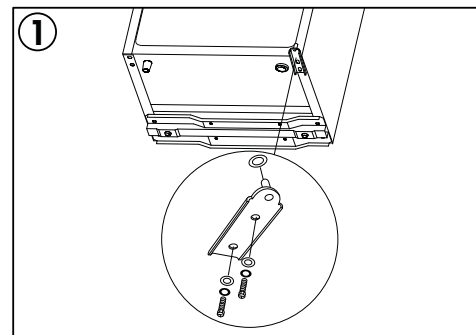


INSTRUCCIONES DE INVERSIÓN DE PUERTA

Si el electrodoméstico se coloca de espaldas o de lado por un período de tiempo prolongado durante este proceso, se debe dejar en posición vertical durante 6 horas antes de enchufarlo para evitar dañar los componentes internos.

Para cambiar la dirección de la oscilación de la puerta, siga las instrucciones a continuación.

1. Retire el pie ajustable del lado inferior derecho del gabinete. Retire la bisagra inferior del lado inferior derecho del gabinete. Retire el pie sólido del lado inferior izquierdo del gabinete.
2. Retire la puerta del gabinete. Desatornille el pasador de la bisagra superior del lado superior derecho de la encimera e instálelo en el lado superior izquierdo de la encimera.
3. Instale la puerta en el gabinete. Instale la bisagra inferior en el lado inferior izquierdo del gabinete. Instale el pie ajustable en el lado inferior izquierdo del gabinete. Instale el pie sólido en el lado inferior derecho del gabinete. Retire la manija de la puerta del lado izquierdo de la puerta e instálela en el lado derecho de la puerta.



CUIDADO Y MANTENIMIENTO

LIMPIEZA

Asegúrese de que el dispositivo esté desenchufado antes de limpiarlo.

- Limpie el interior y el exterior del aparato con un paño suave y una solución de una cucharada de bicarbonato de sodio con un litro de agua o un poco de detergente suave.
- Lave los estantes con una solución de detergente suave, luego seque y seque con un paño suave.
- Es importante mantener el área limpia donde la puerta se sella contra el gabinete. Limpie esta área con un paño jabonoso. Enjuague con un paño húmedo y deje secar.

Nota: No use limpiadores que contengan amoníaco o alcohol en el artefacto. El amoníaco o el alcohol pueden dañar la apariencia del artefacto. Nunca use limpiadores comerciales o abrasivos u objetos afilados en ninguna parte del artefacto.

FALLO DE ALIMENTACIÓN

La mayoría de los fallos de alimentación se corrigen en pocas horas y no deberían afectar la temperatura interna del aparato si se mantiene al mínimo el número de veces que se abre la puerta.

Si se corta la energía, el dispositivo mantendrá todas las configuraciones en su memoria y reanudará el funcionamiento normal automáticamente cuando se restablezca la energía.

Nota: espere de 3 a 5 minutos antes de intentar reiniciar el refrigerador si la operación se ha interrumpido.

DESCONGELAR

Esta unidad está equipada con una función de descongelación automática y no requiere descongelación manual. El agua de descongelación del aparato se canaliza en una bandeja de goteo situada por encima del compresor. La transferencia de calor desde el compresor hace que el agua de descongelación se evapore.

VACACIONES

- **Vacaciones cortas:** Deje el aparato en funcionamiento durante las vacaciones de menos de tres semanas.
- **Largas vacaciones:** Si el aparato no se va a utilizar durante varios meses, retire todos los artículos y apague el aparato. Limpie y seque el interior a fondo. Para evitar el olor y el moho, deje la puerta ligeramente abierta, bloqueándola si es necesario.

MUDARSE

- Eliminar todo el contenido
- Asegure todos los estantes y la puerta con cinta adhesiva.
- Gire la pierna ajustable hasta la base.
- Si el electrodoméstico se coloca de espaldas o de lado durante el transporte, al llegar al destino, déjelo en posición vertical durante 6 horas antes de enchufarlo para evitar daños a los componentes internos.

DISPOSICIÓN

Este aparato no puede ser tratado como un residuo doméstico normal, sino que debe ser llevado al punto de recogida de residuos apropiado para el reciclaje de componentes eléctricos. Para obtener información sobre los puntos de recogida de residuos locales, póngase en contacto con la agencia local de eliminación de residuos o con la oficina gubernamental.

SOLUCIÓN SUGERIDA

Danby cuidado del consumidor: 1-800-263-2629

Horas de operación:

Lunes a Jueves 8:30 am - 6:00 pm Hora estándar del este

Viernes 8:30 am - 4:00 pm Hora estándar del este

La información de este manual está sujeta a cambios sin previo aviso.

PROBLEMA	POSSIBLE CAUSA
No funciona	<ul style="list-style-type: none">• Un fusible en su casa puede soplarse o el interruptor de circuito disparado• El enchufe no está completamente insertado en la toma de corriente
La temperatura interna no es lo suficientemente fría	<ul style="list-style-type: none">• La temperatura está demasiado alta• La puerta no se cierra correctamente o se abre demasiado• Recientemente se agregó una gran cantidad de alimentos calientes al armario• Muy cerca de la fuente de calor o de la luz solar directa• La temperatura ambiente o la humedad es muy alta
El aparato funciona continuamente	<ul style="list-style-type: none">• La temperatura está demasiado fría• La puerta no se cierra correctamente o se abre demasiado• Recientemente se agregó una gran cantidad de alimentos calientes al armario• Muy cerca de la fuente de calor o de la luz solar directa• La temperatura ambiente o la humedad es muy alta

CÓDIGO DE ERROR	DESCRIPTION
E0	Error del sensor de temperatura ambiental
E1	Error del sensor de control de temperatura
L1	Fallo de comunicación del módulo de almacenamiento
EH	Advertencia del sensor de temperatura: la temperatura interna es 5 grados más alta que la temperatura establecida durante un período de tiempo prolongado
EL	Advertencia del sensor de temperatura: la temperatura interna es 5 grados inferior a la temperatura establecida durante un período de tiempo prolongado
Dr	Alarma de puerta abierta - Esta alarma sonará cuando la puerta se haya abierto durante más de 3 minutos

GARANTÍA LIMITADA "ACARREADO SOLAMENTE"

Este producto de calidad está garantizado contra defectos de fabricación, incluyendo partes y mano de obra, siempre y cuando la unidad se utilice bajo las condiciones normales de funcionamiento para las que fue diseñado.

Esta garantía está solamente disponible para la persona que haya comprado originalmente esta unidad directamente de Danby Products Limited (Canada) o Danby Products Inc. (U.S.A.) (en adelante "Danby") o uno de sus distribuidores autorizados, y no es transferible.

CONDICIONES DE LA GARANTÍA

Las piezas plásticas, se autorizan por treinta (30) días solamente a partir de la fecha de la compra, sin las extensiones proporcionadas.

Primeros 24 meses Durante los primeros **veinticuatro (24) meses**, cualquier parte en buen estado de este producto que resulte defectuosa, incluyendo cualquier sistema sellado, será reparado o reemplazado, a opción del fabricante, sin cargo para el comprador original.

Para obtener servicio Póngase en contacto con el distribuidor donde adquirió el electrodoméstico o póngase en contacto con el centro de servicio autorizado más cercano de Danby, donde el servicio debe ser realizado por un técnico cualificado. Si el servicio es realizado por cualquier persona que no sea un depósito de servicio autorizado, todas las obligaciones de Danby bajo esta garantía serán nulas.

Es responsabilidad del comprador transportar el aparato al centro de servicio autorizado más cercano.

Los cargos de transporte desde y hacia el lugar de servicio no están protegidos por esta garantía y son responsabilidad del comprador.

Nada dentro de esta garantía implica que Danby será responsable por cualquier daño que hayan sufrido los alimentos u otros contenidos de este aparato, ya sea debido a un defecto del aparato, o su uso, adecuado o inadecuado.

EXCLUSIONES

Salvo lo aquí indicado por Danby, no existen otras garantías, condiciones o representaciones, explícitas o implícitas, concretas o intencionales por parte de Danby o sus distribuidores autorizados y todas las demás garantías, condiciones o representaciones, incluyendo cualquier garantía, condiciones o representaciones bajo cualquier Acta de Venta de Productos o legislación o estatuto similar, quedan de esta forma expresamente excluidas. **Salvo lo aquí indicado, Danby no serán responsables por ningún daño a personas o bienes, incluyendo la propia unidad, sin importar su causa, o de ningún daño indirecto causado por el desperfecto de la unidad, y al comprar esta unidad, el comprador acepta por la presente, indemnizar y proteger a Danby contra cualquier reclamo por daños a personas o bienes causados por la unidad.**

CONDICIONES GENERALES

No se considerará ninguna de estas garantías o seguros cuando el daño o la necesidad de reparación sea el producto de los siguientes casos:

- 1) Falla del suministro eléctrico.
- 2) Daños en tránsito o durante el transporte de la unidad.
- 3) Alimentación incorrecta, como bajo voltaje, instalación eléctrica defectuosa o fusibles inadecuados.
- 4) Accidente, modificación, abuso o uso incorrecto del artefacto, tal como insuficiente ventilación del ambiente o condiciones de operación anormales (temperatura ambiente extremadamente alta o baja).
- 5) Utilización comercial o industrial (v.g., si el electrodoméstico no está instalado en una vivienda particular).
- 6) Incendio, daños por agua, robo, guerra, disturbios, hostilidades, actos de fuerza mayor como huracanes, inundaciones, etc.
- 7) Pedidos de servicio debido a desinformación del usuario.
- 8) Instalación inadecuada (v.g., instalación de un electrodoméstico independiente o uso de un aparato al aire libre que no esté aprobado para aplicaciones en exteriores, incluyendo pero no limitado a: garajes, patios, porches o cualquier lugar que no esté bien aislado o controlado por el clima).

Se requerirá una prueba de la fecha de compra para reclamaciones de garantía; conservar las facturas de venta. En el caso de que se requiera servicio de garantía, presente el comprobante de compra a nuestro depósito de servicio autorizado.

Servicio de Garantía
Acarreado Solamente

Danby Products Limited
PO Box 1778, Guelph, Ontario, Canada N1H 6Z9
Telephone: (519) 837-0920 FAX: (519) 837-0449

1-800-263-2629
04/17

Danby Products Inc.
PO Box 669, Findlay, Ohio, U.S.A. 45840
Telephone: (419) 425-8627 FAX: (419) 425-8629



MODEL • MODÈLE • MODELO

DH016A1W

DH032A1W