

COMPACT GAS RANGE Owner's Manual.....1 - 26
ESTUFAS DE GAS COMPACTAS Manuel du propriétaire.....27 - 52

MODEL * MODÈLE
DR202WGLP
DR202BGLP
DR202BSSGLP

Welcome

Welcome to the Danby family. We are proud of our quality products and we believe in dependable service. We suggest that you read this owner's manual before plugging in your new appliance as it contains important operation information, safety information, troubleshooting and maintenance tips to ensure the reliability and longevity of your appliance.

Visit www.Danby.com to access self service tools, FAQs and much more. For additional assistance call **1-800-263-2629**.

Note the information below; you will need this information to obtain service under warranty.

You must provide the original purchase receipt to validate your warranty and receive service.

Model Number: _____

Serial Number: _____

Date of Purchase: _____

Need Help?

Before you call for service, here are a few things you can do to help us serve you better.

Read this owner's manual:

It contains instructions to help you use and maintain your appliance properly.

If you receive a damaged appliance:

Immediately contact the retailer or builder that sold you the appliance.

Save time and money:

Check the troubleshooting section at the end of this manual before calling. This section will help you solve common problems that may occur.



1-800-26- Danby
(1-800-263-2629)



Important Safety Information

READ AND FOLLOW ALL SAFETY INSTRUCTIONS

WARNING - If the information in this manual is not followed exactly, a fire or explosion may result, causing property damage, personal injury or death.

- Do not store or use gasoline or other flammable vapors and liquids in the vicinity of this or any other appliance.
- Installation and service must be performed by a qualified installer, service agency or the gas supplier.

WHAT TO DO IF YOU SMELL GAS

- Do not try to light any appliance.
- Do not touch any electrical switch.
- Do not use any phone in the building.
- Immediately call your gas supplier from a neighbor's phone. Follow the gas supplier's instructions.
- If you cannot reach your gas supplier, call the fire department.

WARNING - CARBON MONOXIDE

It is highly recommended to install a carbon monoxide detector in your home.

Check local and national regulations concerning installing and maintaining carbon monoxide detectors.

IN THE COMMONWEALTH OF MASSACHUSETTS

- This product must be installed by a licensed plumber or gas fitter.
- When using ball-type gas shut-off valves, they shall be the T-handle type.
- A flexible gas connector, when used, must not exceed 3 feet in length.

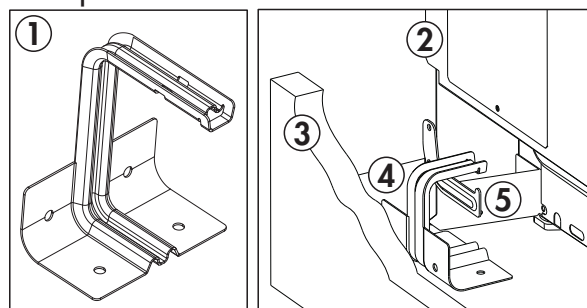
WARNING - TIP OVER HAZARD

- A child or adult can tip the appliance and be killed.
- Verify the anti-tip bracket has been properly installed and engaged to the floor or wall.
- Ensure the anti-tip bracket is re-engaged when the range is moved by sliding the anti-tip arm under the bracket.
- Do not operate the range without the anti-tip bracket in place and engaged.
- Failure to follow these instructions can result in death or serious burns to children or adults.

ANTI-TIP BRACKET

To reduce the risk of the appliance tipping over, an anti-tip bracket is provided that must be installed before operating the appliance. See installation instructions shipped with the bracket for complete details.

1. Anti-tip bracket
2. Right side panel
3. Rear wall
4. Anti-tip bracket
5. Anti-tip arm



To check if the bracket is installed and engaged properly, look underneath the range to see that the anti-tip arm attached to the right side panel is engaged on the bracket. On some models, the storage drawer or kick panel can be removed for easier inspection.

If visual inspection is not possible, slide the range forward, confirm the anti-tip bracket is securely attached to the floor or wall and slide the range back so the anti-tip arm slides under the anti-tip bracket. If the range is pulled from the wall for any reason, always repeat this procedure to verify that the range is properly secured by the anti-tip bracket.

SAVE THESE INSTRUCTIONS!



Important Safety Information

READ AND FOLLOW ALL SAFETY INSTRUCTIONS

WARNING

NEVER use this appliance as a space heater to heat or warm the room. Doing so may result in carbon monoxide poisoning and overheating of the oven.

Avoid scratching or impacting glass doors, the cooktop or control panel. Doing so may lead to glass breakage. Do not cook on a product with broken glass. Shock, fire or cuts may occur.

Do not leave children alone or unattended in an area where an appliance is in use. They should never be allowed to climb, sit or stand on any part of the appliance.

Do not store items of interest to children above a range or on the backguard of a range - children climbing on the range to reach items could be seriously injured.

Do not allow anyone to climb, stand or hang on the oven door, drawer or cooktop. They could damage the range or tip it over causing severe injury or death.

Never block the vents (air openings) of the range. They provide the air inlets and outlets that are necessary for the range to operate properly with correct combustion. Air openings are located at the rear of the cooktop, at the top and bottom of the oven door, and at the bottom of the range under the warming drawer, lower oven drawer or kick panel.

Use only dry pot holders—moist or damp pot holders on hot surfaces may result in burns from steam. Do not let pot holders touch surface burners, burner grates, or oven heating elements. Do not use a towel or other bulky cloth in place of pot holders.

Be careful not to touch hot surfaces of the range. Potentially hot surfaces include burners, grates, cooktop, backguard, oven and door interior and crevices around the oven door.

Do not heat unopened food containers. Pressure could build up and the container could burst, causing an injury.

Cook meat and poultry thoroughly - meat to at least an internal temperature of 160°F and poultry to at least an internal temperature of 180°F. Cooking to these temperatures usually protects against foodborne illness.

GENERAL SAFETY REQUIREMENTS

Use this appliance for its intended purpose as described in this Owner's Manual.

Have your range installed and properly grounded by a qualified installer in accordance with the provided installation instructions. Any adjustment and service should be performed only by a qualified gas range installer or service technicians. Do not attempt to repair or replace any part of your range unless it is specifically recommended in this guide.

Your range is shipped from the factory set for use with natural gas. It can be converted for use with LP gas. If required, these adjustments must be made by a qualified technician in accordance with the installation instructions and local codes. The agency performing this work assumes responsibility for the conversion.

Have the installer show you the location of the range gas shut-off valve and how to turn it off if necessary.

Plug your range into a 120-volt grounded outlet only. Do not remove the round grounding prong from the plug. If in doubt about the grounding of the home electrical system, it is your responsibility and obligation to have an ungrounded outlet replaced with a properly grounded, three prong outlet in accordance with the National Electrical Code. **Do not use an extension cord with this appliance.**

Before performing any service, unplug the range or disconnect the power supply at the household distribution panel by removing the fuse or switching off the circuit breaker.

Be sure all packing materials are removed from the range before operating to prevent ignition of these materials.

SAVE THESE INSTRUCTIONS!



Important Safety Information

READ AND FOLLOW ALL SAFETY INSTRUCTIONS

WARNING - FLAMMABLE MATERIALS

Do not store or use flammable materials in an oven or near the cooktop, including paper, plastic, pot holders, linens, wall coverings, curtains, drapes and gasoline or other flammable vapors and liquids.

Never wear loose-fitting or hanging garments while using the appliance. Avoid storing commonly used items in cabinets above the range and be careful when reaching over the range. Clothing in close proximity to burners or hot surfaces may ignite causing severe burns.

Do not let cooking grease or other flammable materials accumulate in or near the range. Grease in the oven or on the cooktop may ignite.

Clean ventilating hoods frequently. Grease should not be allowed to accumulate on the hood or filter.

WARNING - IN CASE OF FIRE

In the event of a fire, never pick up a flaming pot or pan. Turn the burner off if it is safe to do so. Extinguish the fire with a dry chemical or foam-type extinguisher.

Do not use water on grease fires. Water will spread the grease and will not extinguish the fire. Smother the fire with a tight fitting pot lid, cookie sheet or flat tray or use dry chemical or foam-type extinguisher.

If there is a fire in the oven during baking, smother the fire by closing the oven door and turning the oven off or use dry chemical or foam-type extinguisher.

COOKTOP SAFETY INSTRUCTIONS

Never leave the range unattended while a surface burner is ON. Foods, especially oily foods, may ignite resulting in fire that could spread to surrounding cabinets.

Never leave oil unattended while frying. If allowed to heat beyond its smoking point, oil may ignite resulting in fire that may spread to surrounding cabinets. Use a deep fat thermometer whenever possible to monitor oil temperature.

To avoid oil spillover and fire, use a minimum amount of oil when shallow pan-frying and avoid cooking frozen foods with excessive amounts of ice.

Use proper pan size and avoid pans that are unstable or easily tipped. Select cookware that is matched to the size of the burner. Burner flames should be adjusted so that they do not extend beyond the bottom of the pan. Excessive flames may be hazardous.

Always use the LITE position when igniting the top burners and make sure the burners have ignited.

When using glass or ceramic cookware, make sure it is suitable for cooktop service; others may break because of sudden changes in temperature.

To minimize the possibility of burns, ignition of flammable materials and spillage, the handle of a container should be turned toward the center of the range without extending over nearby burners.

When preparing flaming foods under a hood, turn the fan on.

Do not use a wok with a round metal support ring. The ring may trap heat and block air to the burner resulting in a carbon monoxide hazard.

Do not attempt to lift the cooktop if your range has sealed surface burners. Doing so may damage the gas tubing to the surface burners resulting in a gas leak and risk of fire.

Do not use aluminum foil to cover the grates or line any part of the cooktop. Doing so may result in carbon monoxide poisoning, overheating of the cooktop surfaces, or a potential fire hazard.

SAVE THESE INSTRUCTIONS!



Important Safety Information

READ AND FOLLOW ALL SAFETY INSTRUCTIONS

WARNING

NEVER cover any slots, holes or passages in the oven bottom or cover and entire rack with materials such as aluminum foil. Doing so blocks air flow through the oven and may cause carbon monoxide poisoning. Aluminum foil linings may also trap heat, causing a fire hazard.

OVEN SAFETY INSTRUCTIONS

Stand away from the range when opening the oven door. Hot air or steam which escapes can cause burns to hands, face and/or eyes.

Keep the oven free from grease build-up. Grease in the oven may ignite.

Place oven racks in desired location while oven is cool. If rack must be moved while oven is hot, do not let potholder contact the hot heating element in the oven.

Place oven racks in desired location while oven is cool. If rack must be moved while oven is hot, be careful to avoid touching hot surfaces.

Pull the oven rack to the stop-lock position when loading and unloading food from the oven. This helps prevent burns from touching hot surfaces of the door and oven walls.

Do not leave items such as paper, cooking utensils or food in the oven when not in use. Items stored in an oven can ignite.

Do not leave items on the cooktop near the oven vent which is in the center of the backguard. Items may overheat resulting in a risk of fire or burns.

When using cooking or roasting bags in the oven, follow the manufacturer's directions.

Never broil with door open. Open-door broiling is not permitted due to overheating of control knobs.

LOWER OVEN DRAWER SAFETY INSTRUCTIONS

The purpose of the warming drawer is to hold hot cooked foods at serving temperature. Bacteria will grow very rapidly in food that is between 40 and 140°F. Do not put cold food in the warming drawer. Do not keep food in the warming drawer for more than 2 hours. Failure to follow these instructions may result in foodborne illness.

Do not leave paper products, plastics, canned food or combustible materials in the drawer. They may ignite.

Do not touch the heating element or the interior surface of the drawer. These surfaces may be hot enough to cause burns.

Use care when opening the drawer. Open the drawer a crack and let hot air or steam escape before removing or replacing food. Hot air or steam that escapes can cause burns to hands, face and/or eyes.

Do not use aluminum foil to line the warming drawer. Foil is an excellent heat insulator and will trap heat beneath it. This will upset the performance of the drawer and potentially cause a fire hazard.

WARNING

Read all safety instructions before using the product. Failure to follow these instructions may result in fire, electric shock, serious injury or death.

SAVE THESE INSTRUCTIONS!

INSTALLATION INSTRUCTIONS

FOR YOU SAFETY

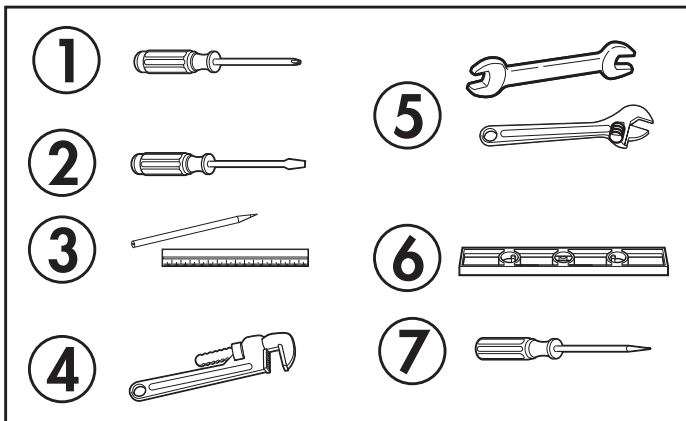
Do not store or use combustible materials, gasoline or other flammable vapors and liquids in the vicinity of this or any other appliance.

If you smell gas:

1. Open windows.
2. Do not touch electrical switches.
3. Extinguish any open flame.
4. Immediately call your gas supplier.

REQUIRED TOOLS

1. Phillips screwdriver
2. Flat blade screwdriver
3. Pencil and ruler
4. Pipe wrench
5. Open end or adjustable wrench
6. Level
7. Drill, awl or nail



MATERIALS YOU WILL NEED

1. Gas-line shut-off valve.
2. Pipe joint sealant or UL-approved pipe thread tape with Teflon* that resists action of natural and LP gases.
3. Flexible metal appliance connector (1/2" I.D.) A 5 foot length is recommended for ease of installation but other lengths are acceptable. Never use an old connector when installing a new range.
4. Flare union adapter for connection to gas supply line (3/4" or 1/2" NPT x 1/2" I.D.)
5. Liquid leak detector or soapy water.
6. Lag bolt or 1/2" O.D. sleeve anchor (for concrete floors only).

*Teflon is a registered trademark of DuPont.

INSTALLATION INSTRUCTIONS

INSTALLATION SAFETY INSTRUCTIONS

Read these instructions completely and carefully. Failure to follow these instructions can result in electrical shock, fire, serious injury, or death.

Improper installation, adjustment, alteration, service or maintenance can cause injury or property damage. Refer to this manual. For assistance or additional information, consult a qualified installer, service agency, manufacturer (dealer) or the gas supplier.

Never reuse old flexible connectors. The use of old flexible connectors can cause gas leaks and personal injury. Always use new flexible connectors when installing a gas appliance.

Leak testing of the appliance shall be conducted according to the manufacturer instructions.

Remove all packing material and literature from oven before connecting gas and electrical supply to range.

Do not attempt to operate the oven of this range during a power failure.

Have your range installed by a qualified installer.

Your range must be electrically grounded in accordance with local codes or, in the absence of local codes, in accordance with the National Electrical Code, ANSI/NFPA 70, latest edition.

Your range must conform with local gas codes or, in the absence of local codes, in accordance with the National Fuel Gas Code, ANSI Z223.1/NFPA 54.

Appliances designed for manufactured mobile home installation must conform with the Manufactured Home Construction and Safety Standard, Title 24 CFR, Part 3280, [formerly the Federal Standard for Mobile Home Construction and Safety, Title 24, HUD (part 280)] or with local codes where applicable.

Appliances designed for Recreational Park Trailers must conform with the state or other codes or, in the absence of such codes, with the Standard for Recreational Park Trailers, ANSI A1 19.5.

Before installing your range on linoleum or any other synthetic floor covering, make sure the floor covering can withstand 180° F without shrinking, warping or discoloring. Do not install the range over carpeting unless a sheet of 1/4" thick plywood or similar insulator is placed between the range and carpeting.

Make sure the cabinets, floor, and wall coverings around the range can withstand heat generated by the range up to 200° F.

Avoid placing cabinets above the range. To reduce the hazard caused by reaching over the open flames of operating burners, install a ventilation hood over the range that projects forward at least 5" beyond the front of the cabinets.

The ventilating hood must be constructed of sheet metal not less than 0.0122" thick. Install above the cooktop with a clearance of not less than 1/4" between the hood and the underside of the combustible material or metal cabinet. The hood must be at least as wide as the appliance and centered over the appliance. Clearance between the cooking surface and the ventilation hood surface must never be less than 24". Exception: Installation of a listed microwave oven or cooking appliance over the cooktop shall conform to the installation instructions packed with that appliance.

If cabinets are placed above the range, allow a minimum clearance of 30" between the cooking surface and the bottom of unprotected cabinets.

If a 30" clearance between cooking surface and overhead combustible material or metal cabinets cannot be maintained, protect the underside of the cabinets above the cooktop with not less than 1/4" insulating miliboard covered with sheet metal not less than 0.0122" thick. Clearance between the cooking surface and protected cabinets **MUST NEVER BE LESS THAN 24"**.

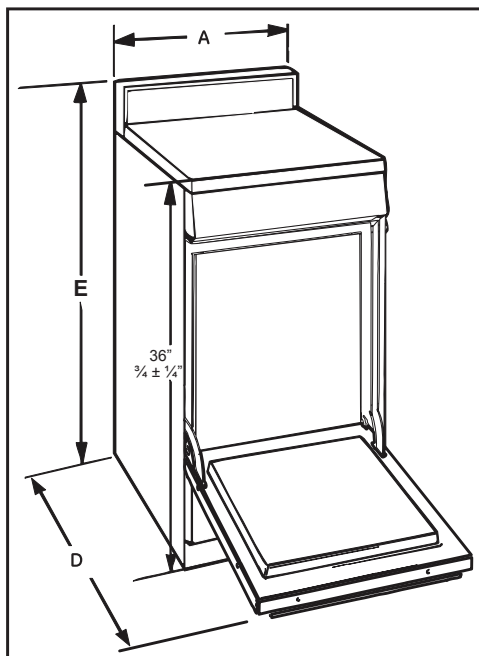
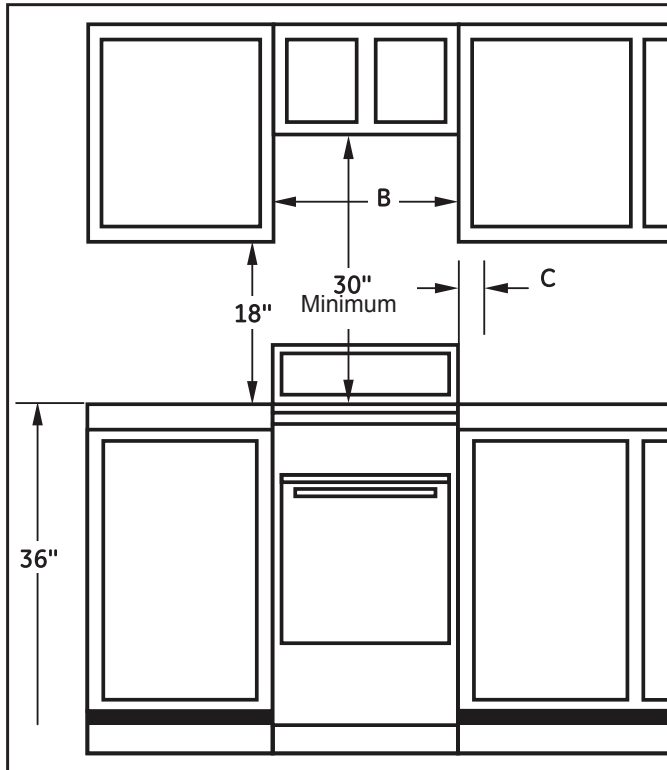
The vertical distance from the plane of the cooking surface to the bottom of adjacent overhead cabinets extending closer than 1" to the plane of the range sides must not be less than 18". (See the Dimensions and Clearances Illustration in this section).

INSTALLATION INSTRUCTIONS

DIMENSIONS AND CLEARANCES

Provide adequate clearances between the range and adjacent combustible surfaces. These dimensions must be met for safe use of the range. The placement of the power outlet and the opening of the piping can be adjusted to comply with the specific requirements.

The range may be placed with 0" clearance below the cooktop and at the back wall.



A: 19 3/4"
B: 19 3/4"
C: 2"
D: 44 3/8"
E: 41 3/4"

LOCATION

Do not locate the range where it may be subject to strong drafts. Any openings in the floor or wall behind the range should be sealed. Make sure the openings around the base of the range that supply fresh air for combustion and ventilation are not obstructed by carpeting or woodwork.

Your range, like many other household items, is heavy and can settle into soft floor coverings such as cushioned vinyl or carpeting. Use care when moving the range on this type of flooring. It is recommended that the following simple and inexpensive instructions be followed to protect your floor.

The range should be installed on a sheet of plywood or similar material. When the floor covering ends at the front of the range, the area that the range will rest on should be built up with plywood to the same level or higher than the floor covering.

This will allow the range to be moved for cleaning or servicing. Also, make sure your floor covering will withstand 180° F.

Make sure the cabinets and wall coverings around your range can withstand the heat generated (up to 200° F) by the range.

IMPORTANT

Remove all tape and packaging.

Make sure the burners are properly seated and level.

Take the accessory pack out of the oven or drawer.

Check to be sure that no range parts have come loose during shipping.

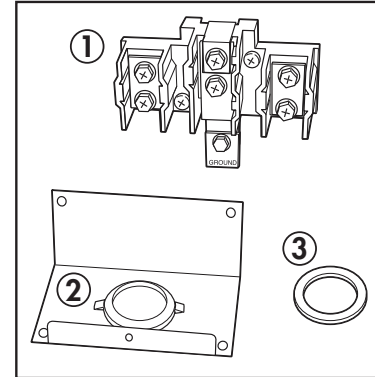
INSTALLATION INSTRUCTIONS

POWER CORD AND STRAIN RELIEF INSTALLATION

Remove the wire cover on the lower back of the range by removing its top center screw. Do not discard this screw.

Remove the knockout ring located on the bracket directly below the terminal block. To remove the knockout, use a pair of pliers to bend the knockout ring away from the bracket and twist until the ring is removed.

1. Terminal block
2. Knockout ring in bracket
3. Knockout ring removed



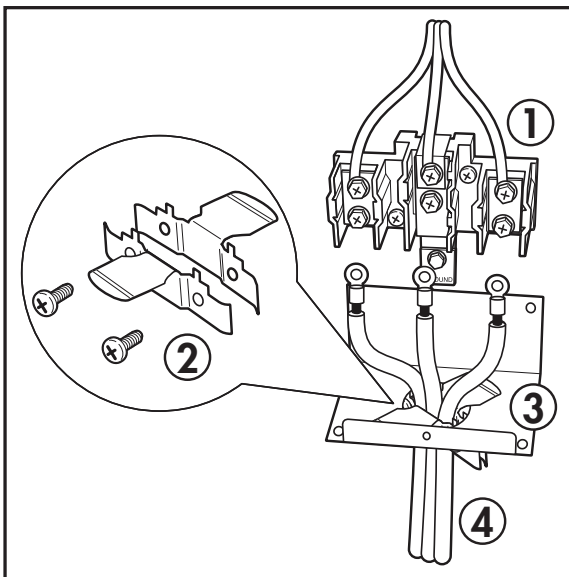
For power cord installations

Assemble the strain relief in the hole of the bracket. If tabs are present at the end of the winged strain relief they can be removed for a better fit.

Insert the power cord through the strain relief and tighten. Allow enough slack to easily attach the cord terminals to the terminal block.

Do not install the power cord without a strain relief. The strain relief bracket should be installed before reinstalling the rear range wiring cover.

1. Terminal block
2. Strain relief
3. Bracket
4. Power cord

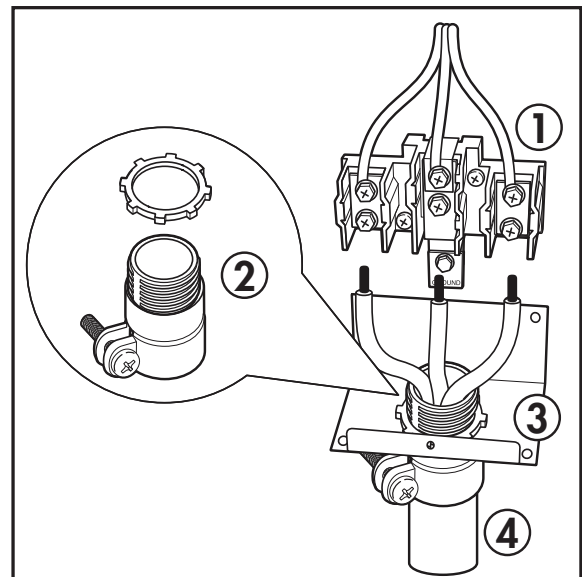


For conduit installations

Purchase a squeeze connector matching the diameter of your conduit and assemble it in the hole of the bracket. Insert the conduit through the squeeze connector and tighten. Allow enough slack to easily attach the wires to the terminal block.

Do not install the conduit without a squeeze connector. The squeeze connector should be installed before reinstalling the rear range wiring cover.

1. Terminal block
2. Squeeze connector
3. Bracket
4. Conduit

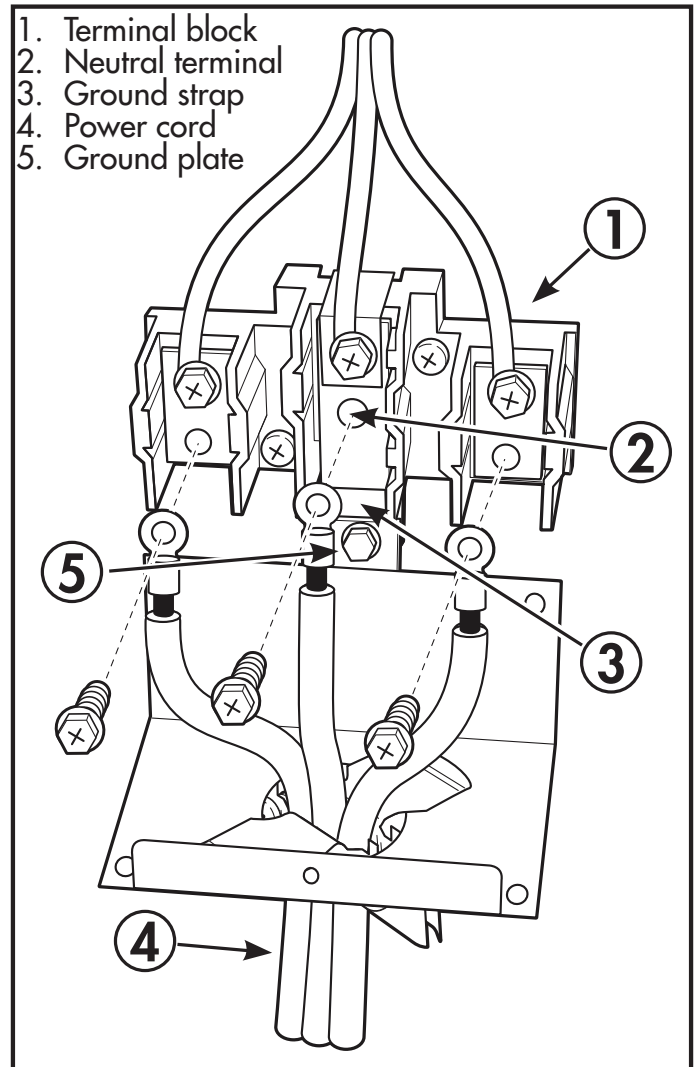


INSTALLATION INSTRUCTIONS

3 WIRE POWER CORD INSTALLATION

The neutral or ground wire of the power cord must be connected to the neutral terminal located in the center of the terminal block. The power leads must be connected to the lower left and the lower right terminals of the terminal block.

1. Remove the three lower terminal screws from the terminal block.
2. Insert the three terminal screws through each power cord terminal ring and into the lower terminals of the terminal block.
3. Be certain that the center wire is connected to the center lower position of the terminal block.
4. Tighten screws securely into the terminal block.
5. Do not remove the ground strap connection.



INSTALLATION INSTRUCTIONS

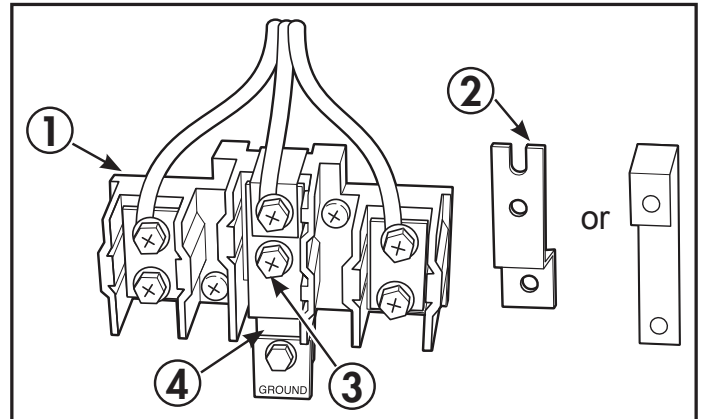
4 WIRE POWER CORD INSTALLATION

The neutral wire of the supply circuit must be connected to the neutral terminal located in the lower center of the terminal block. The power leads must be connected to the lower left and the lower right terminals of the terminal block. The 4th grounding lead must be connected to the frame of the range with the ground plate and the ground screw.

1. Remove the three lower terminal screws from the terminal block.
2. Remove the ground screw and ground plate and retain them.
3. Cut and discard the ground strap. Do not discard any screws.
4. Insert the one ground screw into the power cord ground wire terminal ring, through the ground plate and into the frame of the range.
5. Insert the three terminal screws that were removed earlier through each power cord terminal right and into the lower terminals of the terminal block.
6. Be certain that the center wire is connected to the center lower position of the terminal block.
7. Tighten the screws securely into the terminal block.

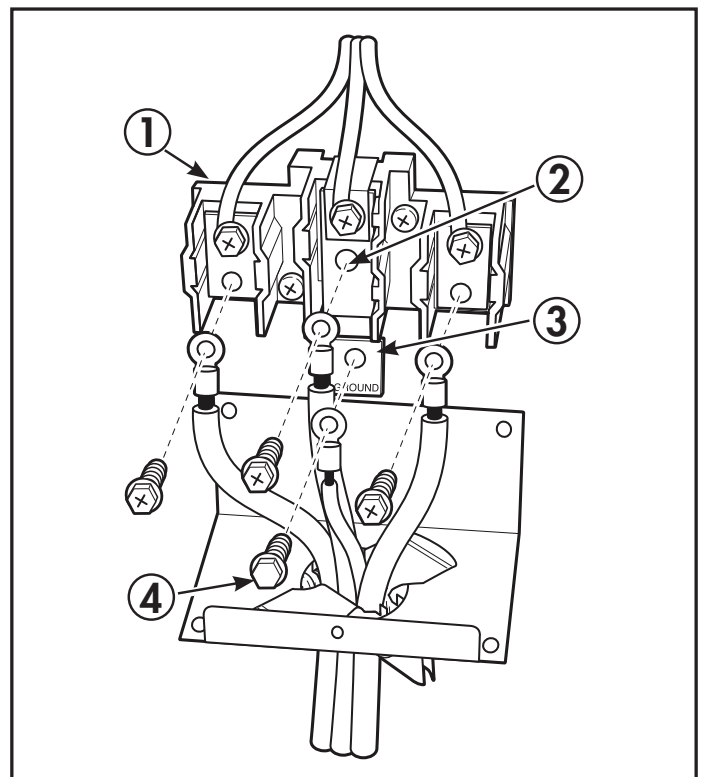
Before

1. Terminal block
2. Ground strap
3. Neutral terminal
4. Cut and discard the ground strap



After

1. Terminal block
2. Neutral terminal
3. Ground plate (grounding to range)
4. Ground screw



INSTALLATION INSTRUCTIONS

ELECTRICAL CONNECTIONS

Electrical requirements:

120 volt, 60 hertz, properly grounded dedicated circuit protected by a 15 amp or 20 amp circuit breaker or time delay fuse.

NOTE: Use of automatic, wireless, or wired external switches that shut off power to the appliance are not recommended for this product.

WARNING SHOCK HAZARD: This appliance must be properly grounded. Failure to do so can result in electric shock.

The power cord of this appliance is equipped with a three prong (grounding) plug which mates with a standard three-prong grounding wall receptacle to minimize the possibility of electric shock hazard from this appliance.

The customer should have the wall receptacle and circuit checked by a qualified electrician to make sure the receptacle is properly grounded.

Where a standard two-prong wall receptacle is encountered, it is the personal responsibility and obligation of the customer to have it replaced with a properly grounded three-prong wall receptacle.

DO NOT, UNDER ANY CIRCUMSTANCES, CUT OR REMOVE THE THIRD (GROUND) PRONG FROM THE POWER CORD.

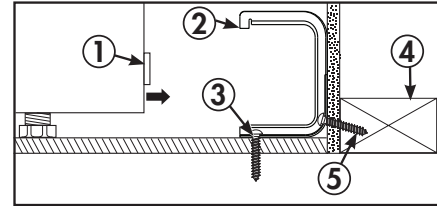
DO NOT USE AN ADAPTER.

DO NOT USE AN EXTENSION CORD.

A word about GFCIs - GFCIs are not required or recommended for gas range receptacles. Ground Fault Circuit Interrupters (GFCIs) are devices that sense leakage of current in a circuit and automatically switch off power when a threshold leakage level is detected. These devices must be manually reset by the consumer. The National Electrical Code requires the use of GFCIs in kitchen receptacles installed to serve countertop surfaces. Performance of the range will not be affected if operated on a GFCI-protected circuit but occasional nuisance tripping of the GFCI breaker is possible.

ANTI-TIP BRACKET INSTALLATION

1. Anti-tip arm on the back of the appliance
2. Anti-tip bracket
3. Screw must enter wood or concrete
4. Wall sill plate
5. Screw must enter wood



To reduce the risk of the appliance tipping, the anti-tip bracket must be installed before operation.

Note: The installation of the anti-tip bracket must meet all local codes for securing the appliance.

The anti-tip bracket must be secured to either the rear wall or the floor and must be positioned in such a way that it will overhang the anti-tip arm on the rear of the appliance.

Rear wall installation

Use the two screws provided to secure the bracket to the rear wall. The screws must enter a wood sill plate. If the wall contains any metal studs or similar materials, or if the back of the appliance cannot reach the rear wall, the floor installation should be used.

Floor installation

Wood floor: Use the two screws provided to secure the bracket to the floor.

Concrete floor:

1. Mark the location where the screws need to be installed.
2. Use a power drill and a concrete bit to drill a 5/32" pilot hole 2" deep into the concrete at the center of each of the marked locations.
3. Use the two screws provided to secure the bracket to the floor.

Double check the installation

After installing the bracket, slide the appliance into its final location. Look underneath the appliance and ensure that the anti-tip arm attached to the side panel of the appliance is engaging the bracket.

INSTALLATION INSTRUCTIONS

INSTALL THE RANGE

1. Provide adequate gas supply

Your range is designed to operate at a pressure of 5" of water column on natural gas or, if desired for LP gas (propane or butane), 10" of water column.

Make sure you are supplying your range with the type of gas for which it is designed.

This range is convertible for use on natural or propane gas. If you decide to use this range on LP gas, conversion must be made by a qualified LP installer before attempting to operate the range on that gas.

For proper operation, the pressure of natural gas supplied to the regulator must be between 6" and 13" of water column.

For LP gas, the pressure supplied must be between 11" and 13" of water column.

When checking for proper operation of the regulator, the inlet pressure must be at least 1" greater than the operating (manifold) pressure as given above.

The pressure regulator located at the inlet of the range must remain in the supply line regardless of whether natural or LP gas is being used.

A flexible metal appliance connector used to connect the range to the gas supply line should have an I.D. of 1/2" and be 5 feet in length for ease of installation. In Canada, flexible connectors must be single wall metal connectors no longer than 6 feet in length.

INSTALL THE RANGE

2. Connect the range to gas

Shut off the main gas supply valve before disconnecting the old range and leave it off until the new hook-up has been completed. Don't forget to relight the pilot on other gas appliances when you turn the gas back on.

Because hard piping restricts movement of the range, the use of a CSA International-certified flexible metal appliance connector is recommended unless local codes require a hard-piped connection.

Never use an old connector when installing a new range. If the hard piping method is used, you must carefully align the pipe, the range cannot be moved after the connection is made.

To prevent gas leaks, put pipe joint compound on, or wrap pipe thread tape with Teflon around all male (external) pipe threads.

Installation steps:

1. Install a manual gas line shut-off valve in the gas line in an easily accessed location outside of the range. Make sure everyone operating the range knows where and how to shut off the gas supply to the range.
2. Install male 1/2" flare union adapter to the 1/2" NPT internal thread at inlet of regulator. Use a backup wrench on the regulator fitting to avoid damage. When installing the range from the front, remove the 90° elbow for easier installation.
3. Install male 1/2" or 3/4" flare union adapter to the NPT internal thread of the manual shut-off valve to keep it from turning.
4. Connect flexible metal appliance connector to the adapter on the range. Position range to permit connection at the shut-off valve.
5. When all connections have been made, make sure all range controls are in the off position and turn on the main gas supply valve. Use a liquid leak detector at all joints and connections to check for leaks in the system.

INSTALLATION INSTRUCTIONS

WARNING

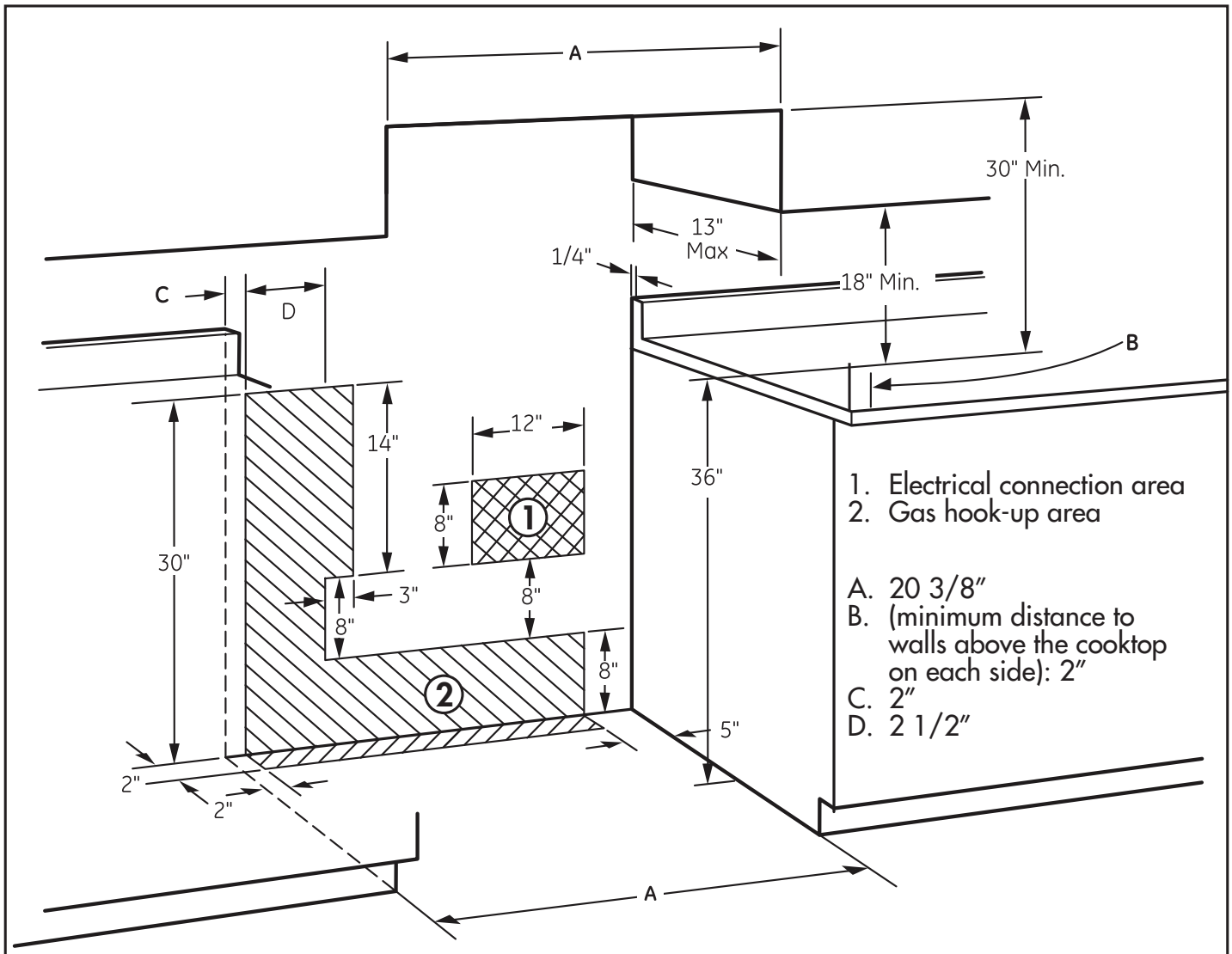
Fire hazard: Do not use a flame to check for gas leaks.

Recommended gas and electric supply location

When using test pressures greater than 1/2 psig to pressure test the gas supply system of the residence, disconnect the range and individual shut-off valve from the gas supply piping. When using test pressures of 1/2 psig or less to test the gas supply system, simply isolate the range from the gas supply system by closing the individual shut-off valve.

Note: Recommended gas hook-up locations behind the range. Gas and shut-off valve should not protrude more than 2" from the wall to allow the range to rest against the wall.

Check local codes before making connections.



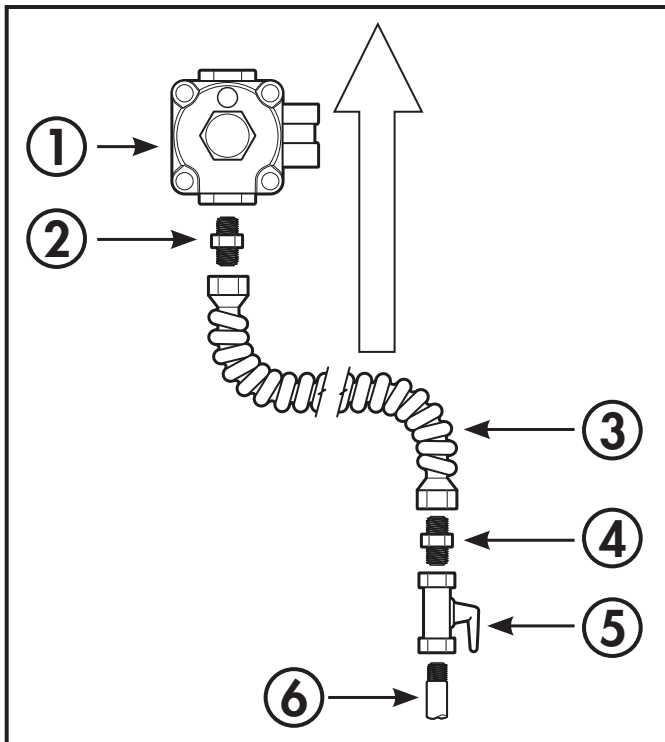
INSTALLATION INSTRUCTIONS

FLEXIBLE CONNECTOR HOOKUP EXAMPLE

To the installer: Inform the consumer of the location of the gas shut-off valve and leave these instructions with the consumer for future use.

Note: The arrow indicates the direction of gas flow into the range.

1. Pressure regulator
2. Adapter
3. Flex connector (4 1/2 feet maximum)
4. Adapter
5. Gas shut off valve
6. 1/2" or 3/4" gas pipe

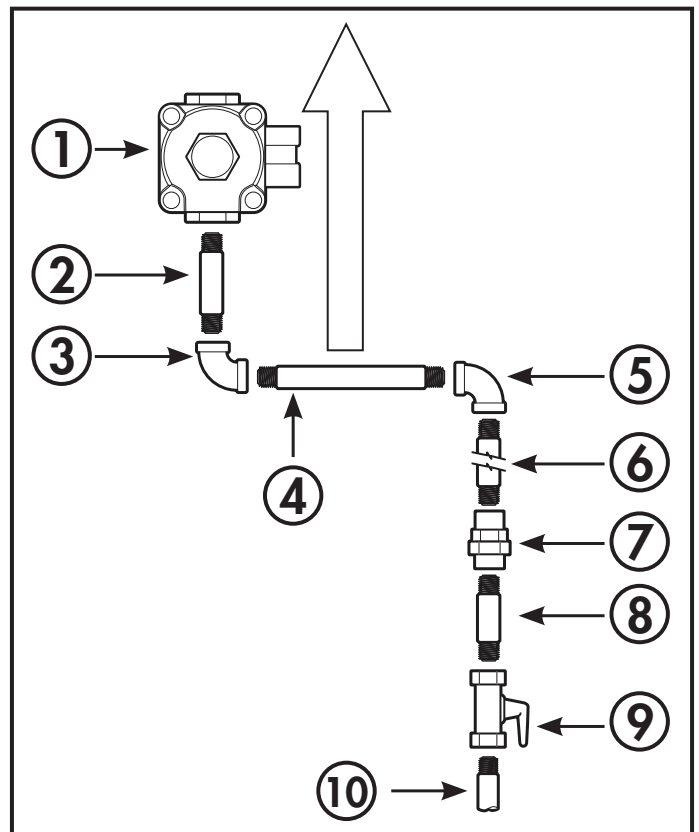


RIGID CONNECTOR HOOKUP EXAMPLE

To the installer: Inform the consumer of the location of the gas shut-off valve and leave these instructions with the consumer for future use.

Note: The arrow indicates the direction of gas flow into the range.

1. Pressure regulator
2. Black iron pipe 4 1/2"
3. 90° elbow
4. Nipple (may not be required)
5. 90° elbow
6. Black iron pipe
7. Union
8. Nipple
9. Gas shut off valve
10. 1/2" or 3/4" gas pipe



INSTALL THE RANGE

3. Seal the openings

Seal any openings in the wall behind the range and in the floor under the range when hookups are completed.

INSTALLATION INSTRUCTIONS

INSTALL THE RANGE

4. Electric ignition

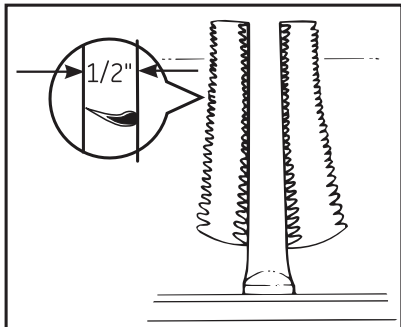
There are separate ignition devices for the left and right hand surface burners. Both of these ignition devices are ON when any knob is turned to the LITE setting. The ignition devices will spark as long as any of the top burner knobs are at the LITE setting.

In the event of an electrical power failure, the top knobs can still be used. To light a burner, hold a lit kitchen match adjacent to the top burner to be used and turn the valve knob to LITE.

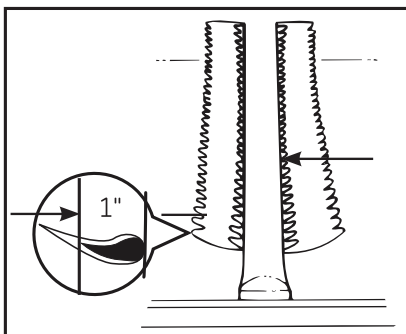
USE EXTREME CAUTION WHEN LIGHTING A BURNER THIS WAY.

5. Adjust the oven burner air shutter

For Natural Gas: The oven burner flame should be a clean, blue flame with distinct inner cones approximately 1/2" long. A soft, lazy flame with indistinct cones means too much gas or not enough air. A noisy lifting flame means too much air.



For LP gas: The flame should have approximately 1-inch blue cones. After 30 seconds of burner operation, check for flames lifting off the burner ports. If lifting is observed, gradually reduce the air shutter opening until flames are stabilized. Some yellow tipping may be normal for LP gas.

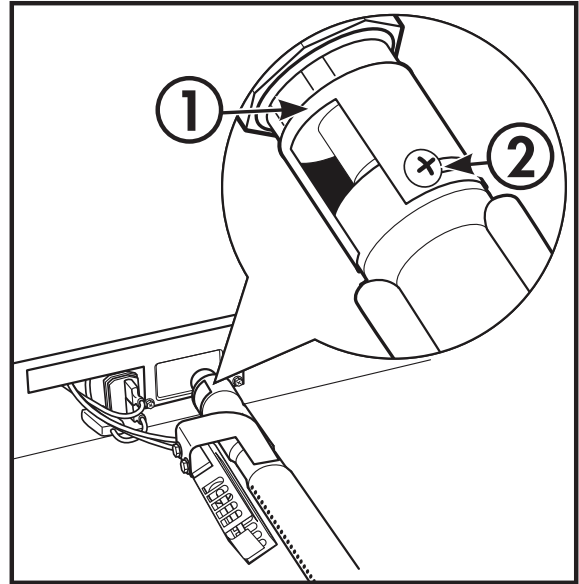


INSTALL THE RANGE

If burner adjustment is necessary:

Loosen the lock screw located at the top of the air shutter, then rotate the air shutter to the correct position and retighten the screw.

1. Air shutter
2. Lock screw



The oven burner flame can be checked as follows (without burner baffle in place):

- To correct a yellow flame, increase size of air shutter opening.
- To correct a lifting, but distinct, blue flame, decrease size of air shutter opening.

The air shutter should be set approximately 2/3 open for natural gas, and approximately full open for LP gas.

INSTALLATION INSTRUCTIONS

INSTALL THE RANGE

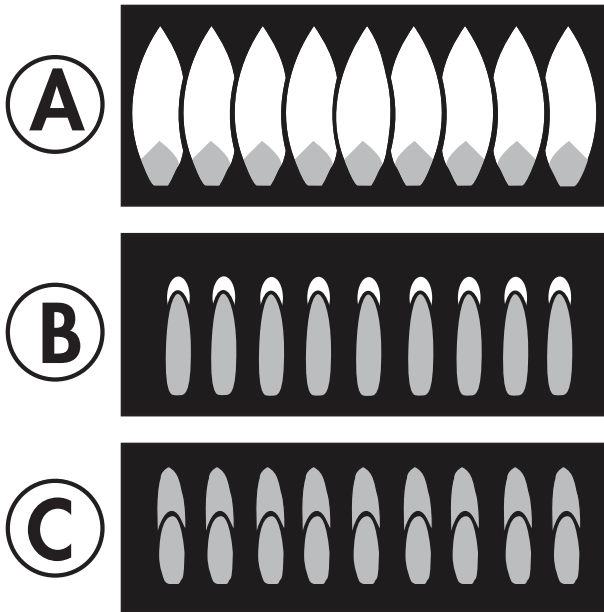
6. Quality of flames

The combustion quality of burner flames needs to be determined visually.

A: Yellow flames; call for service

B: Yellow tips on outer cones; normal for LP gas

C: Soft blue flames; normal for natural gas



7. Replace the oven parts

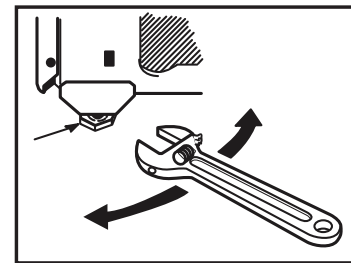
Once all adjustments are completed, ensure all oven parts are installed correctly such as the bottom drawer, the oven shelves and the oven door.

INSTALL THE RANGE

8. Level the range

Check that the appliance is level using a spirit level or a clear measuring cup partially filled with water. Ensuring that the oven is level will ensure even cooking.

Use an open end or adjustable wrench to adjust the leveling legs. Turn the leg clockwise to raise the range. Turn the leveling leg counterclockwise to lower the range.



INSTALLATION CHECK LIST

- Make sure all controls are in the OFF position.
- Make sure the flow of combustion and ventilation air to the range is unobstructed.
- Make sure all oven parts are installed correctly.
- Double check that the anti-tip bracket is installed and working correctly.

CONVERT TO LP GAS

This range leaves the factory set for use with natural gas. The conversion to LP gas must be performed by a qualified LP gas installer.

The conversion instructions and LP orifices can be found attached to the back of the range.

OPERATING INSTRUCTIONS

USING GAS SURFACE BURNERS

Before lighting a gas burner:

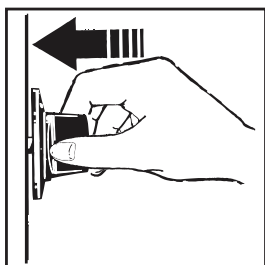
- Make sure all burners are in place.
- Make sure all grates on the range are properly placed before using any burner.

After lighting a gas burner:

- Do not operate the burner for an extended period of time without cookware on the grate. The finish on the grate may discolor or chip without cookware to absorb the heat.
- Be sure the burners and grates are cool before you place your hand, a pot holder, cleaning cloths or other materials on them.

How to light a gas surface burner:

- Make sure all the surface burners are placed in their respective positions.
- Push the control knob in and turn it to the LITE position.
- You will hear a clicking noise, this is the sound of the electric spark igniting the burner.
- Turn the knob to adjust the flame size. If the knob stays at LITE, it will continue to click.
- When one burner is turned to LITE, all the burners spark. Do not attempt to disassemble or clean around any burner while another burner is on. An electric shock may result, which could cause you to knock over hot cookware.
- Watch the flame, not the knob, as you adjust heat. When fast heating is desired, the flame size on a gas burner should match the cookware you are using.
- Flames larger than the bottom of the cookware will not result in faster heating and may be hazardous.



WARNING

Flames that are not covered by cookware may present a risk of burns or clothing ignition. Never let flames extend beyond the sides of the cookware.

ACCEPTABLE COOKWARE

Aluminum: Medium-weight cookware is recommended because it heats quickly and evenly. Most foods brown evenly in an aluminum skillet. Use saucepans with tight-fitting lids when cooking with minimum amounts of water.

Cast-Iron: If heated slowly, most skillets will give satisfactory results.

Enamelware: Under some conditions, the enamel of some cookware may melt. Follow cookware manufacturer's recommendations for cooking methods.

Glass: There are two types of glass cookware—those for oven use only and those for top-of-range cooking (saucepans, coffee and teapots). Glass conducts heat very slowly.

Heatproof Glass Ceramic: Can be used for either surface or oven cooking. It conducts heat very slowly and cools very slowly. Check cookware manufacturer's directions to be sure it can be used on gas ranges.

Stainless Steel: This metal alone has poor heating properties and is usually combined with copper, aluminum or other metals for improved heat distribution. Combination metal skillets usually work satisfactorily if they are used with medium heat as the manufacturer recommends.

IN CASE OF POWER FAILURE

In case of a power failure, you can light the surface burners on your range with a match. Hold a lit match to the burner ports, then slowly turn the control knob to the LITE position. Use extreme caution when lighting burners this way.

Surface burners in use when an electrical power failure occurs will continue to operate normally.

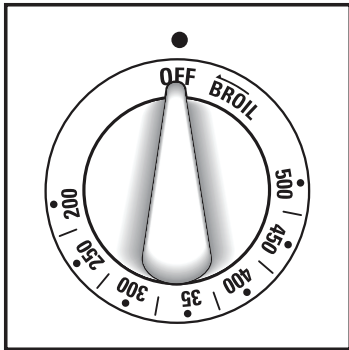
OPERATING INSTRUCTIONS

USING THE OVEN

Oven controls

The oven is controlled by the oven temp knob. It can take up to 90 seconds before the flame comes on.

After the oven reaches the selected temperature, the oven burner maintains the selected temperature.



IN CASE OF POWER FAILURE

The oven or broiler cannot be lit during a power failure.

If the oven is in use when a power failure occurs, the oven burner shuts off. This is because the flow of gas is automatically stopped and will not resume until power is restored.

UPPER OVEN VENT

Your oven is vented through ducts at the rear of the range. Do not block these ducts when cooking in the oven - it is important that the flow of hot air from the oven and fresh air to the oven burner be uninterrupted. Avoid touching the vent openings or nearby surfaces during oven or broiler operations - they may become hot.

Handles of pots and pans on the cooktop may become hot if left too close to the vent.

Do not leave plastic or flammable items on the cooktop - they may melt or ignite if left too close to the vent.

Do not leave closed containers on the cooktop. The pressure in closed containers may increase, which may cause them to burst.

Metal items will become very hot if they are left on the cooktop, and could cause burns.

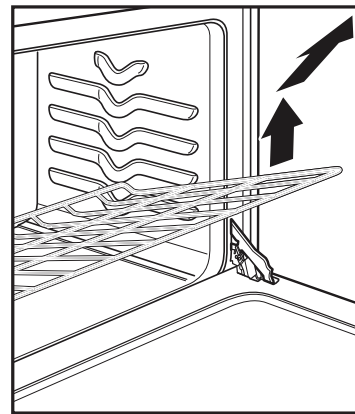
OVEN SHELVES

The oven shelves are designed with stop-locks so that when they are placed correctly on the shelf supports, they will stop before coming completely out of the oven and will not tilt when food is being removed or added.

To remove the shelves from the oven, pull the shelf outward, tilt the front end upward and pull it out.

To replace the shelves, place the shelf on the support with the stop locks facing up and toward the back of the oven. Tilt up the front and push the shelf toward the back of the oven until it goes past the bump on the shelf support, then lower the front of the shelf and push it all the way into the oven.

The oven has four different shelf support positions to accommodate different cooking requirements.



SHELF POSITIONS

- Most baking is done on the second or third shelf position from the bottom of the oven.
- When baking multiple items, use two shelves positioned on the second and fourth shelf supports from the bottom of the oven.
- Roasting is usually done on the bottom shelf position.
- As a general rule, place most foods in the middle of the oven on the second or third shelf.
- Pans should not touch each other or the walls of the oven. Allow 1 to 1 1/2 inches of space between pans as well as from the back of the oven, the door and the sides. If you need to use two shelves stagger the pans so one is not directly above the other.

OPERATING INSTRUCTIONS

OVEN BAKING AND ROASTING

1. Position the shelves in the oven. If cooking on two shelves at the same time, stagger the pans for the best heat circulation.
2. Place the food on the center of the oven shelf. Allow at least 2 inches between the end of the pan and the oven wall or any adjacent pans.
3. Turn oven temperature knob to the desired temperature.
4. Check the food regularly. Remove once done and ensure the oven is turned off.

BAKING AND ROASTING TIPS

- Follow a tested recipe and measure the ingredients carefully. If you are using a package mix, follow label directions.
- Do not open the oven door while baking or roasting. Heat will be lost and the cook time might need to be extended. If you must open the door, open it partially and close it as quickly as possible.
- Roasting is cooking by dry heat. Tender meat or poultry can be roasted uncovered. Roasting temperatures, which should be low and steady, keep spattering to a minimum. When roasting, it is not necessary to sear, baste, cover, or add water to the meat.
- Frozen roasts of meat can be cooked without thawing, but allow 10 to 25 minutes of additional time per pound of meat (10 minutes per pound for roasts under 5 pounds, more time for larger roasts).
- Thaw frozen poultry before roasting to ensure even cooking. Some commercial frozen poultry can be cooked successfully without thawing. Follow directions given on package label.

SAFE COOKING

The USDA recommends the following minimum safe internal temperatures:

- Raw beef, pork, lamb and veal steaks or chops: 145°F as measured with a food thermometer before removing meat from the heat source. For safety and quality, allow meat to rest for at least three minutes before carving or consuming.
- Raw ground beef, pork, lamb or veal: 160°F as measured with a food thermometer.
- Poultry: 165°F as measured with a food thermometer.
- For more information, visit: www.isitdoneyet.gov or call toll free to the USDA meat and poultry hotline at 1-888-674-6854.

OVEN BROILING

Broiling is cooking food by direct heat from above the food. Most fish and tender cuts of meat can be broiled. The range has a compartment below the oven for broiling. A specially designed broiler pan allows dripping fat to drain away from the food. Both the oven door and broiler compartment drawer should be closed during broiling.

1. Preheating the boiler drawer is not necessary and can produce poor results.
2. If the meat has fat or gristle around the edge, cut vertical slashes through both about 2" apart. If desired, fat may be trimmed, leaving a layer about 1/8" thick.
3. Place the meat on a broiler grid in a broiler pan designed for broiling. Always use the grid so the fat drips into the broiler pan; otherwise the juices may become hot enough to catch fire.
4. Place the food in the broiler and close the door.
5. Turn the oven temperature knob to BROIL.
6. Food can be turned during broiling if necessary. Be cautious of hot air or steam when opening the oven door.
7. Make sure to turn the oven temperature knob to OFF once broiling is complete.

BROILING TIPS

- Always use the broiler pan and grid that comes with your range. It is designed to minimize smoking and spattering by trapping juices in the shielded lower part of the pan.
- For steaks and chops, slash fat evenly around the outside edges of the meat. Use tongs to turn the meat over to prevent piercing the meat and losing juices.
- If desired, marinate meats before broiling, or brush with barbecue sauce in the last 5-10 minutes only.
- When arranging the food on the pan, do not let fatty edges hang over the sides because dripping fat could soil the oven.
- Frozen steaks can be broiled by positioning the rack at the next lowest rack position and increasing the cooking time 1 1/2 times per side.
- Aluminum foil can be used to line the broiler pan and grid, however, it must be molded tightly to the grid and slits must be cut in the foil so that fat and juices can leak through into the lower part of the pan.

OPERATING INSTRUCTIONS

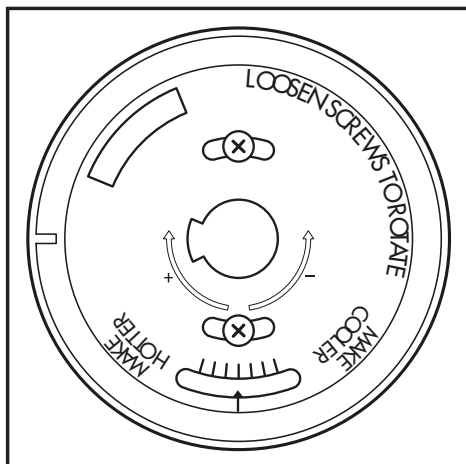
ADJUST THE OVEN THERMOSTAT

You may find that the new oven cooks differently than the one it replaced. Use the new oven for a few weeks to become familiar with it. If you still find the oven is too hot or too cold, you can adjust the thermostat.

Do not use thermometers, such as those found in grocery stores to check the temperature of the oven. They are not calibrated for high temperatures and can vary from 20 - 40 degrees.

This adjustment will not affect the broiling temperatures. The adjustment will be retained after a power failure.

1. Pull the oven temperature knob off the range and look at the back of it. To make an adjustment, loosen by one turn the two screws on the back of the knob. Do not completely remove the screws.
2. With the back of the knob facing you, hold the outer edge of the knob with one hand and turn the front of the knob with the other hand.
3. To increase the oven temperature, move the top screw toward the right.
4. To decrease the oven temperature, move the top screw toward the left.
5. You will hear a click for each notch you move the knob. Each click will change the oven temperature approximately 10°F. The range is plus or minus 60°F from the arrow. We suggest that you adjust the temperature by one click and then test the oven performance before adjusting further.
6. After the adjustment is made, retighten the screws so they are snug. Be careful not to over-tighten.
7. Replace the knob, matching the flat area of the knob to the shaft.



ALUMINUM FOIL

Do not use aluminum foil to line the bottom of the oven. The foil will trap heat below and upset the performance of the oven. Foil can melt and permanently damage the bottom of the oven. Damage from improper use of aluminum foil is not covered by the product warranty.

Foil may be used to catch spills by placing a sheet on a lower rack, several inches below the food. Do not use more foil than necessary and never entirely cover an oven rack with aluminum foil. Keep foil at least 1 to 1 1/2 inches from oven walls to prevent poor heat circulation.

OVEN MOISTURE

As the oven heats up, the temperature change of the air in the oven may cause water droplets to form on the door glass. These droplets are harmless and will evaporate as the oven continues to heat up.

OVEN AIR VENTS

Never block the air vents. They provide the air inlet and outlet that are necessary for the range to operate properly with correct combustion.

Air openings are located at the rear of the cooktop, at the top and bottom of the oven door, and at the bottom of the range.

Vent appearance and location may vary.

CARE & MAINTENANCE

BURNER GRATES

The range has two or three professional-style double grates. These grates are position specific. For maximum stability, these grates should only be used in their proper position; they cannot be interchanged left to right or front to back.

For convenience, the undersides of the left and right grates are marked "LEFT FRONT" and "RIGHT FRONT". Make sure the front portion of both grates is in front. The middle grate has a bow in front. Make sure the bowed portion is toward the front of the range. In addition, the middle grate is supported by the left and right grates and must be installed last for stability.

Cleaning burner grates

Lift out when cool. Grates should be washed regularly and, of course, after spillovers. Wash them in hot, soapy water and rinse with clean water. When replacing the grates, be sure they are positioned securely over the burners.

Replace the grates so that continuous arcs are formed with the center ribs of all three grates.

Do not operate a burner for an extended period of time without cookware on the grate. The finish on the grate may chip without cookware to absorb the heat.

To get rid of burned-on food, place the grates in a covered container. Add 1/4 cup ammonia and let soak several hours or overnight. Wash, rinse well and dry.

Although they are durable, the grates will gradually lose their shine, regardless of the best care you can give them. This is due to their continual exposure to high temperatures. You will notice this sooner with lighter color grates.

CLEANING

Cooktop surface

To avoid damaging the porcelain-enamel surface of the cooktop and to prevent it from becoming dull, clean up spills right away. Foods with a lot of acid or foods with high sugar content could cause a dull spot if allowed to set.

When the surface has cooled, wash and rinse. For other spills such as fat spattering, wash with soap and water once the surface has cooled. Then rinse and polish with a dry cloth.

Control panel and knobs

It is a good idea to wipe the control panel after each use of the oven. Use a damp cloth to clean or rinse. For cleaning, use mild soap and water or a 50/50 solution of vinegar and water. For rinsing, use clean water. Polish dry with a soft cloth.

Do not use abrasive cleansers, strong liquid cleaners, plastic scouring pads or oven cleaners on the control panel as they will damage the finish.

Do not try to bend knobs by pulling them up or down or by hanging a towel or other such loads. This can damage the gas valve shaft.

The control knobs may be removed for easier cleaning. Make sure the knobs are in the OFF positions and pull them straight off the stems for cleaning. The knobs can be cleaned in a dishwasher or they may also be washed with soap and water. Make sure the insides of the knobs are dry before replacing.

Replace the knobs in the OFF position to ensure proper placement. Note that knobs are not interchangeable. Be sure to reinstall the knobs to the original location.

Metal parts can be cleaned with soap and water. Do not use steel wool, abrasives, ammonia, acids or commercial oven cleaners. Dry with a soft cloth.

CARE & MAINTENANCE

Oven shelves and broiler rack

The shelves and broiler rack can be cleaned by hand using soap and water or with an abrasive cleaner or steel wool. After cleaning, rinse the shelves and broiler rack with clean water and dry with a clean cloth.

After cleaning, grease all oven rack edges with a light coating of vegetable oil. This will help maintain the ease of sliding the racks in and out of the oven.

Porcelain oven interior

With proper care, the porcelain enamel interior will retain its finish for many years.

Soap and water can be used to clean the interior. Heavy splattering or spills may require cleaning with a mild abrasive cleaner.

Do not allow spills with high acid content such as milk, tomatoes, fruit juices or pie filling, to remain on the surface. They may cause dull spots even after cleaning.

Household ammonia may make cleaning easier. Place 1/2 cup of ammonia in a shallow glass pan and leave in a cold oven overnight. The ammonia fumes will help loosen burned on grease and food.

Cautions about using spray-on oven cleaners

Do not spray oven cleaner on the electrical controls and switches as it could cause a short circuit and result in sparking or fire.

Do not allow a film from the oven cleaner to remain on the temperature sensor as it could cause the oven to heat improperly. The sensor is located on the top of the oven. Carefully wipe the bulb clean after each oven cleaning, being careful not to move the sensor since a change in its position could affect how the oven bakes.

Do not spray oven cleaner on the outside of the oven door, handles or any exterior surface of the oven, cabinet or painted surfaces. The cleaner can damage these surfaces.

Removable oven bottom

On some models the bottom panel of the oven is removable and can be washed separately.

To remove the oven bottom:

1. Remove the knurled screw in the front of the oven bottom.
2. Grasp each side of the oven bottom and push back.
3. Lift the front up and pull it out of the oven.

To replace the oven bottom:

1. Grasp each side of the oven bottom and guide its rear tabs into the slots in the back of the oven.
2. Lower the oven bottom and pull it forward until it is secure under the front oven floor edge.
3. On models so equipped, replace the knurled screw in the front of the oven bottom.

NOTE: If the oven bottom is replaced incorrectly, it may warp and cause undesirable baking results.

Broiler compartment

The broiler pan is held in place in the broiler rack.

To remove the broiler pan:

1. Gently pull forward on the drop down broiler door.
2. Pull the broiler rack with pan forward until the rack stops.
3. Grasp the broiler pan and remove it from the broiler rack.

To replace the broiler pan:

1. Slide the broiler pan onto the rack and push both the broiler pan and the rack all the way into the broiler compartment.
2. Close the broiler door.

If a spillover occurs in the broiler compartment, allow the compartment to cool first. You can clean the compartment with soap and water, a mild abrasive cleanser, soap-filled scouring pads or an oven cleaner following package directions.

CARE & MAINTENANCE

Broiler pan and guard

After broiling, remove the broiler pan from the oven. Remove the grid from the pan. Carefully pour out grease from the pan into a proper container. Wash and rinse the broiler pan and grid in hot water with a soap-filled or plastic scouring pad.

If food has burned on, sprinkle the grid with detergent while hot and cover with wet paper towels or a dishcloth. Soaking the pan will remove burned on foods.

Do not store a soiled broiler pan and grid anywhere in the range.

Removable oven door

The oven door is removable but it is heavy. It is recommended that at least two people work together to remove it.

To remove the door:

1. Open the door to the full open position.
2. Pull the hinge locks up over the hinge hooks on both sides.
3. Grasp the door firmly on both sides, lift slightly and pull it straight out and away from the oven.

To replace the door:

1. Firmly grasp both sides of the door at the top.
2. Insert and seat the upper and lower hinge arms into the oven slots.
3. Push the hinge locks down from the hinge hooks.
4. Close the oven door and make sure it is working properly. If it seems uneven or does not close completely, remove it again and repeat the steps to replace it.

Note: Do not attempt to close the door until it is properly installed. The hinges could be damaged.

Glass door window

To clean the outside of the glass door window, use a glass cleaner. Rinse and polish with a dry cloth.

Avoid scratching or impacting the glass window. Doing so may cause the glass to break.

OVEN LIGHT REPLACEMENT

Important: Before replacing the oven light bulb, make sure the electrical power is disconnected from the appliance. Failure to do so may result in electric shock or burn.

Be sure to let the light cover and bulb cool completely before replacing.

Removing the oven door can make this process easier.

To remove the light cover:

1. Twist the lens counterclockwise roughly 1/4 turn to remove. Do not remove any screws to remove the light cover.
2. Do not touch the light bulb with a wet cloth. Replace the light bulb with a 40 watt appliance light bulb.

To replace the light cover:

1. Line up the tabs of the lens with the tabs on the light housing and rotate clockwise by roughly 1/4 turn to install.

TROUBLESHOOTING

Danby Consumer Care: 1-800-263-2629

Hours of operation:

Monday to Thursday 8:30 am - 6:00 pm Eastern Standard Time

Friday 8:30 am - 4:00 pm Eastern Standard Time

Information in this manual is subject to change without notice.

PROBLEM	POSSIBLE CAUSE
No power	<ul style="list-style-type: none"> • A fuse may be blown or the circuit breaker tripped • Plug not fully inserted into the wall outlet
Surface elements not working properly	<ul style="list-style-type: none"> • Burner holes on the side or around the top of the burner may be clogged. • Burners may not be fitted correctly onto the mounting brackets.
Burners have yellow or yellow-tipped flames	<ul style="list-style-type: none"> • The combustion quality of burner flames needs to be determined visually. See the "Quality of flames" section of the installation instructions for more information.
Burner flames very large or yellow	<ul style="list-style-type: none"> • LP gas is improperly connected. • The thermostat capillary bulb must be clean and unobstructed. • The oven vent is blocked. • Oven control improperly set. • Improper size of cookware is being used.
Strong odor	<ul style="list-style-type: none"> • Improper air to gas ratio in the oven. • An odor from the insulation around the oven liner is normal the first few times the oven is used.
Surface burners light but oven does not	<ul style="list-style-type: none"> • The oven gas shut off valve may have been accidentally moved during cleaning or moving. Raise the cook top and look for the gas shut off lever in the left rear corner. Ensure the lever is in the open position.
Oven light does not work	<ul style="list-style-type: none"> • Light bulb is loose • Light switch is not operating correctly

LIMITED "IN HOME" WARRANTY

This quality product is warranted to be free from manufacturer's defects in material and workmanship, provided that the unit is used under the normal operating conditions intended by the manufacturer.

This warranty is available only to the person to whom the unit was originally sold by Danby Products Limited (Canada) or Danby Products Inc. (U.S.A.) (hereafter "Danby") or by an authorized distributor of Danby, and is non-transferable.

TERMS OF WARRANTY

Plastic parts are warranted for thirty (30) days from the date of purchase, with no extensions provided.

First 12 months During the first **twelve (12) months**, any functional parts of this product found to be defective, will be repaired or replaced, at warrantor's option, at no charge to the original purchaser.

To obtain service Contact the dealer where the unit was purchased, or contact the nearest authorized Danby service depot, where service must be performed by a qualified service technician. If service is performed on the unit by anyone other than an authorized service depot, all obligations of Danby under this warranty shall be void.

Boundaries of in-home service Danby reserves the right to limit the boundaries of "In Home Service" to the proximity of an authorized service depot. Any appliance requiring service outside the limited boundaries of "In Home Service", will be the consumer's responsibility to transport at their own expense to the original point of purchase or a service depot for repair. If the appliance is installed in a location that is **100 kilometers (62 miles)** or more from the nearest service center, it must be delivered to the nearest authorized Danby Service Depot by the purchaser.

Transportation charges to and from the service location are not protected by this warranty and are the responsibility of the purchaser.

Nothing within this warranty shall imply that Danby will be responsible or liable for any spoilage or damage to food or other contents of this appliance, whether due to any defect of the appliance, or its use, whether proper or improper.

EXCLUSIONS

Save as herein provided, by Danby, there are no other warranties, conditions, representations or guarantees, express or implied, made or intended by Danby or its authorized distributors and all other warranties, conditions, representations or guarantees, including any warranties, conditions, representations or guarantees under any Sale of Goods Act or like legislation or statute is hereby expressly excluded. Save as herein provided, **Danby shall not be responsible for any damages to persons or property, including the unit itself, howsoever caused or any consequential damages arising from the malfunction of the unit and by the purchase of the unit, the purchaser does hereby agree to indemnify and hold harmless Danby from any claim for damages to persons or property caused by the unit.**

GENERAL PROVISIONS

No warranty or insurance herein contained or set out shall apply when damage or repair is caused by any of the following:

- 1) Power failure.
- 2) Damage in transit or when moving the appliance.
- 3) Improper power supply such as low voltage, defective house wiring or inadequate fuses.
- 4) Accident, alteration, abuse or misuse of the appliance such as inadequate air circulation in the room or abnormal operating conditions (ie. extremely high or low room temperature).
- 5) Use for commercial or industrial purposes (ie. If the appliance is not installed in a domestic residence).
- 6) Fire, water damage, theft, war, riot, hostility, acts of God such as hurricanes, floods etc.
- 7) Service calls resulting in customer education.
- 8) Improper Installation (ie. Building-in of a free standing appliance or using an appliance outdoors that is not approved for outdoor application, including but not limited to: garages, patios, porches or anywhere that is not properly insulated or climate controlled).

Proof of purchase date will be required for warranty claims; retain bills of sale. In the event that warranty service is required, present the proof of purchase to our authorized service depot.

**Warranty Service
In Home**

Danby Products Limited
PO Box 1778, Guelph, Ontario, Canada N1H 6Z9
Telephone: (519) 837-0920 FAX: (519) 837-0449

**1-800-263-2629
04/17**

Danby Products Inc.
PO Box 669, Findlay, Ohio, U.S.A. 45840
Telephone: (419) 425-8627 FAX: (419) 425-8629

Bienvenido

Bienvenido a la familia Danby. Estamos orgullosos de nuestros productos de calidad y creemos en un servicio confiable. Sugerimos que lea este manual del propietario antes de conectar el nuevo aparato ya que contiene información importante sobre la operación, información de seguridad, solución de problemas y consejos de mantenimiento para garantizar la fiabilidad y longevidad de su electrodoméstico.

Visite **www.Danby.com** para acceder a herramientas de autoservicio, preguntas frecuentes y mucho más. Para asistencia adicional, llame al **1-800-263-2629**.

Tenga en cuenta la información siguiente; Necesitará esta información para obtener un servicio bajo garantía.

Debe proporcionar el recibo de compra original para validar su garantía y recibir servicio.

Número de modelo: _____

Número de serie: _____

Fecha de compra: _____

Necesitas ayuda?

Antes de llamar al servicio, aquí hay algunas cosas que puede hacer para ayudarnos a servirle mejor.

Lea este manual del propietario:

Contiene instrucciones para ayudarlo a usar y mantener su aparato correctamente.

Si recibe un aparato dañado:

Inmediatamente póngase en contacto con el minorista o el constructor que le vendió el aparato.

Ahorre tiempo y dinero:

Consulte la sección de solución de problemas al final de este manual antes de llamar. Esta sección le ayudará a resolver problemas comunes que pueden ocurrir.



1-800-26- Danby
(1-800-263-2629)



Importantes Instrucciones de Seguridad

LEA Y SIGA TODAS LAS INSTRUCCIONES DE SEGURIDAD

ADVERTENCIA - Si no se sigue exactamente la información de este manual, se puede producir un incendio o una explosión que puede causar daños a la propiedad, lesiones personales o la muerte.

- No almacene ni use gasolina u otros vapores y líquidos inflamables cerca de este o cualquier otro electrodoméstico.
- La instalación y el servicio deben ser realizados por un instalador calificado, una agencia de servicio o el proveedor de gas.

QUÉ HACER SI HUELE GAS

- No trate de encender ningún aparato.
- No toque ningún interruptor eléctrico.
- No use ningún teléfono en el edificio.
- Llame inmediatamente a su proveedor de gas desde el teléfono de un vecino. Siga las instrucciones del proveedor de gas.
- Si no puede comunicarse con su proveedor de gas, llame al departamento de bomberos.

ADVERTENCIA - MONÓXIDO DE CARBONO

Se recomienda encarecidamente instalar un detector de monóxido de carbono en su hogar.

Verifique las regulaciones locales y nacionales sobre la instalación y el mantenimiento de detectores de monóxido de carbono.

EN EL COMMONWEALTH DE MASSACHUSETTS

- Este producto debe ser instalado por un fontanero o instalador de gas con licencia.
- Al usar válvulas de cierre de gas tipo bola, deberán ser del tipo de mango en T.
- Un conector de gas flexible, cuando se usa, no debe exceder los 3 pies de largo.

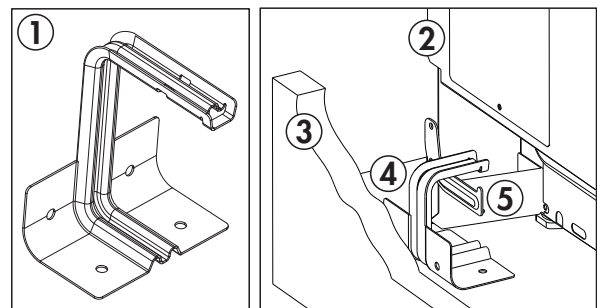
ADVERTENCIA - PELIGRO DE VUELCO

- Un niño o adulto puede inclinar el aparato y morir.
- Verifique que el soporte antivuelco se haya instalado y enganchado correctamente al piso o la pared.
- Asegúrese de volver a acoplar el soporte antivuelco cuando se mueve el rango deslizando el brazo antivuelco debajo del soporte.
- No opere el rango sin el soporte antivuelco en su lugar y enganchado.
- El incumplimiento de estas instrucciones puede ocasionar la muerte o quemaduras graves a niños o adultos.

SOPORTE ANTI-VOLCADURAS

Para reducir el riesgo de vuelco del dispositivo, se proporciona un soporte antivuelco que debe instalarse antes de operar el aparato. Consulte las instrucciones de instalación enviadas con el soporte para obtener detalles completos.

1. Soporte antivuelco
2. Panel lateral derecho
3. Pared posterior
4. Soporte antivuelco
5. Brazo antivuelco



Para verificar si el soporte está instalado y enganchado correctamente, mire debajo del rango para ver que el brazo antivuelco unido al panel lateral derecho esté enganchado en el soporte. En algunos modelos, el cajón de almacenamiento o el panel de protección se puede quitar para facilitar la inspección.

Si no es posible la inspección visual, deslice el rango hacia adelante, confirme que el soporte antivuelco esté firmemente sujeto al piso o la pared y deslice el rango hacia atrás para que el brazo antivuelco se deslice debajo del soporte antivuelco. Si el alcance se tira de la pared por alguna razón, siempre repita este procedimiento para verificar que el rango esté correctamente asegurado por el soporte antivuelco.

¡GUARDE ESTAS INSTRUCCIONES!



Importantes Instrucciones de Seguridad

LEA Y SIGA TODAS LAS INSTRUCCIONES DE SEGURIDAD

ADVERTENCIA

NUNCA use este aparato como un calentador de espacio para calentar o calentar la habitación. Hacerlo puede provocar intoxicación por monóxido de carbono y recalentamiento del horno.

REQUISITOS GENERALES DE SEGURIDAD

Use este electrodoméstico para su propósito previsto como se describe en este Manual del propietario.

Haga que un instalador calificado instale y ponga a tierra su estufa de acuerdo con las instrucciones de instalación provistas. Cualquier ajuste y servicio debe ser realizado solo por un instalador de rango de gas calificado o por técnicos de servicio. No intente reparar o reemplazar ninguna parte de su rango a menos que se lo recomiende específicamente en esta guía.

Su gama se envía desde fábrica para su uso con gas natural. Se puede convertir para usar con gas LP. Si es necesario, estos ajustes deben ser realizados por un técnico calificado de acuerdo con las instrucciones de instalación y los códigos locales. La agencia que realiza este trabajo asume la responsabilidad de la conversión.

Haga que el instalador le muestre la ubicación de la válvula de cierre del gas de rango y cómo apagarla si es necesario.

Conecte su rango a una toma de corriente de 120 voltios a tierra solamente. No retire la punta redonda de conexión a tierra del enchufe. Si tiene dudas sobre la conexión a tierra del sistema eléctrico del hogar, es su responsabilidad y obligación hacer que se reemplace un tomacorriente sin conexión a tierra con un tomacorriente de tres patas, debidamente conectado a tierra, de acuerdo con el Código Eléctrico Nacional. No use un cable de extensión con este aparato.

Antes de realizar cualquier servicio, desconecte el rango o desconecte la fuente de alimentación en el panel de distribución del hogar quitando el fusible o apagando el disyuntor.

Asegúrese de que todos los materiales de empaque se retiren del rango antes de operar para evitar la ignición de estos materiales.

Evite arañar o golpear las puertas de vidrio, la cubierta o el panel de control. Si lo hace, puede romperse el vidrio. No cocine en un producto con vidrios rotos. Choque, fuego o cortes pueden ocurrir.

No deje a los niños solos o sin supervisión en un área donde se usa un electrodoméstico. Nunca se les debe permitir trepar, sentarse o pararse en ninguna parte del artefacto.

No guarde artículos de interés para niños que se encuentren por encima del rango o en la parte posterior de un rango: los niños que suban en el alcance para alcanzar los artículos podrían sufrir lesiones graves.

No permita que nadie trepe, se pare o cuelgue la puerta del horno, el cajón o la superficie de cocción. Podrían dañar el alcance o volcarlo y causar lesiones graves o la muerte.

Nunca bloquee los respiraderos (aberturas de aire) del rango. Proporcionan las entradas y salidas de aire que son necesarias para que el rango funcione correctamente con la combustión correcta. Las aberturas de aire están ubicadas en la parte posterior de la cubierta, en la parte superior e inferior de la puerta del horno, y en la parte inferior de la estufa, debajo del cajón calentador, el cajón inferior del horno o el panel de tiro.

Utilice únicamente soportes para ollas secas: los soportes para ollas húmedos o húmedos en superficies calientes pueden provocar quemaduras por vapor. No permita que los agarraderos toquen los quemadores de la superficie, las rejillas del quemador ni los elementos calefactores del horno. No use una toalla u otra tela voluminosa en lugar de agarraderas.

Tenga cuidado de no tocar las superficies calientes del rango. Las superficies potencialmente calientes incluyen quemadores, rejillas, estufa, respaldo, horno y el interior de la puerta y grietas alrededor de la puerta del horno.

No caliente los recipientes de comida sin abrir. La presión podría acumularse y el contenedor podría explotar, causando una lesión.

Cocine bien la carne y las aves de corral: carne a una temperatura interna de al menos 160 ° F y carne de ave a una temperatura interna de al menos 180 ° F. Cocinar a estas temperaturas generalmente protege contra las enfermedades transmitidas por los alimentos.

¡GUARDE ESTAS INSTRUCCIONES!



Importantes Instrucciones de Seguridad

LEA Y SIGA TODAS LAS INSTRUCCIONES DE SEGURIDAD

ADVERTENCIA - MATERIALES INFLAMABLES

No almacene ni use materiales inflamables en un horno o cerca de la estufa, incluidos papel, plástico, agarraderas, ropa de cama, cortinas, cortinas y gasolina u otros vapores y líquidos inflamables.

Nunca use prendas sueltas o colgantes mientras usa el aparato. Evite almacenar artículos de uso común en gabinetes que estén por encima del rango y tenga cuidado al alcanzar el rango. La ropa que se encuentra cerca de quemadores o superficies calientes puede encenderse y causar quemaduras graves.

No permita que la grasa para cocinar u otros materiales inflamables se acumule dentro o cerca del rango. La grasa en el horno o en la superficie de cocción puede encenderse.

Limpie las campanas de ventilación con frecuencia. No se debe permitir que la grasa se acumule en la campana o el filtro.

ADVERTENCIA - EN CASO DE INCENDIO

En caso de incendio, nunca levante una olla o sartén llameante. Apague el quemador si es seguro hacerlo. Apague el fuego con un químico seco o un extinguidor de espuma.

No use agua en incendios de grasa. El agua extenderá la grasa y no extinguirá el fuego. Apague el fuego con una tapa de olla ajustada, bandeja para hornear galletas o bandeja plana o use un químico seco o un extinguidor de espuma.

Si hay un incendio en el horno durante la cocción, sofoque el fuego cerrando la puerta del horno y apagándolo o use un químico seco o un extinguidor de espuma.

INSTRUCCIONES DE SEGURIDAD DE LA COCINA

Nunca deje el rango desatendido mientras el quemador de superficie esté encendido. Los alimentos, especialmente los alimentos grasos, pueden encenderse y provocar incendios que pueden propagarse a los gabinetes circundantes.

Nunca deje el aceite desatendido mientras fríe. Si se le permite calentar más allá de su punto de fumo, el aceite puede encenderse y provocar un incendio que puede extenderse a los gabinetes circundantes. Use un termómetro de grasa profunda siempre que sea posible para controlar la temperatura del aceite.

Para evitar derrames de aceite e incendios, use una cantidad mínima de aceite cuando fríe en sartén poco profundo y evite cocinar alimentos congelados con cantidades excesivas de hielo.

Use un tamaño de recipiente adecuado y evite las bandejas que son inestables o se vuelcan fácilmente. Seleccione utensilios de cocina que coincidan con el tamaño del quemador. Las llamas de los quemadores deben ajustarse para que no se extiendan más allá del fondo de la sartén. Las llamas excesivas pueden ser peligrosas.

Siempre use la posición LITE cuando encienda los quemadores superiores y asegúrese de que los quemadores se hayan encendido.

Al usar utensilios de cocina de vidrio o cerámica, asegúrese de que sea adecuado para el servicio de la estufa; otros pueden romperse debido a cambios repentinos en la temperatura.

Para minimizar la posibilidad de quemaduras, ignición de materiales inflamables y derrames, el mango de un contenedor debe girarse hacia el centro del rango sin extenderse sobre los quemadores cercanos.

Cuando prepare alimentos flameantes debajo de una campana, encienda el ventilador.

No use un wok con un anillo de soporte de metal redondo. El anillo puede atrapar el calor y bloquear el aire al quemador lo que resulta en un peligro de monóxido de carbono.

No intente levantar la superficie de cocción si su cocina tiene quemadores de superficie sellados. Si lo hace, puede dañar la tubería de gas a los quemadores de la superficie y provocar una fuga de gas y riesgo de incendio.

No use papel de aluminio para cubrir las parrillas ni forrar ninguna parte de la cubierta. Hacerlo puede provocar intoxicación por monóxido de carbono, sobrecalentamiento de las superficies de la estufa o un posible riesgo de incendio.

¡GUARDE ESTAS INSTRUCCIONES!



Importantes Instrucciones de Seguridad

LEA Y SIGA TODAS LAS INSTRUCCIONES DE SEGURIDAD

ADVERTENCIA

NUNCA cubra ninguna ranura, orificio o pasaje en la parte inferior o cubierta del horno y toda la parrilla con materiales como papel de aluminio. Hacerlo bloquea el flujo de aire a través del horno y puede causar envenenamiento por monóxido de carbono. Los revestimientos de papel de aluminio también pueden atrapar el calor y provocar un riesgo de incendio.

INSTRUCCIONES DE SEGURIDAD DEL HORNO

Aléjese de la estufa cuando abra la puerta del horno. El aire caliente o vapor que se escapa puede causar quemaduras en las manos, la cara y / o los ojos.

Mantenga el horno libre de acumulación de grasa. La grasa en el horno puede encenderse.

Coloque las rejillas del horno en la ubicación deseada mientras el horno esté frío. Si se debe mover la rejilla mientras el horno está caliente, no permita que la agarradera entre en contacto con el elemento calefactor caliente en el horno.

Coloque las rejillas del horno en la ubicación deseada mientras el horno esté frío. Si se debe mover la rejilla mientras el horno está caliente, tenga cuidado de evitar tocar las superficies calientes.

Tire de la parrilla del horno a la posición de bloqueo de parada cuando cargue y descargue alimentos del horno. Esto ayuda a evitar que las quemaduras toquen las superficies calientes de la puerta y las paredes del horno.

No deje artículos como papel, utensilios de cocina o comida en el horno cuando no los use. Los artículos almacenados en un horno pueden encenderse.

No deje objetos en la cubierta cerca de la ventilación del horno que se encuentra en el centro del respaldo. Los artículos pueden sobrecalentarse, lo que puede ocasionar incendios o quemaduras.

Cuando use bolsas para cocinar o asar en el horno, siga las instrucciones del fabricante.

Nunca asar con la puerta abierta. No se permite asar en la puerta abierta debido al sobrecalentamiento de las perillas de control.

INSTRUCCIONES DE SEGURIDAD DEL CAJÓN BAJO DEL HORNO

El propósito del cajón calentador es mantener los alimentos cocinados calientes a la temperatura de servir. Las bacterias crecerán muy rápidamente en alimentos que estén entre 40 y 140 ° F. No coloque alimentos fríos en el cajón calentador. No guarde la comida en el cajón calentador por más de 2 horas. El incumplimiento de estas instrucciones puede provocar enfermedades transmitidas por los alimentos.

No deje productos de papel, plásticos, alimentos enlatados o materiales combustibles en el cajón. Pueden encenderse.

No toque el elemento calefactor ni la superficie interior del cajón. Estas superficies pueden estar lo suficientemente calientes como para causar quemaduras.

Tenga cuidado al abrir el cajón. Abra el cajón y deje escapar el aire caliente o el vapor antes de quitar o reemplazar los alimentos. El aire caliente o vapor que se escapa puede causar quemaduras en las manos, la cara y / o los ojos.

No use papel de aluminio para revestir el cajón calentador. La lámina es un excelente aislante térmico y atraparé el calor debajo de ella. Esto alterará el rendimiento del cajón y posiblemente cause un riesgo de incendio.

ADVERTENCIA

Lea todas las instrucciones de seguridad antes de usar el producto. El incumplimiento de estas instrucciones puede provocar incendios, descargas eléctricas, lesiones graves o la muerte.

¡GUARDE ESTAS INSTRUCCIONES!

INSTRUCCIONES DE INSTALACIÓN

PARA TU SEGURIDAD

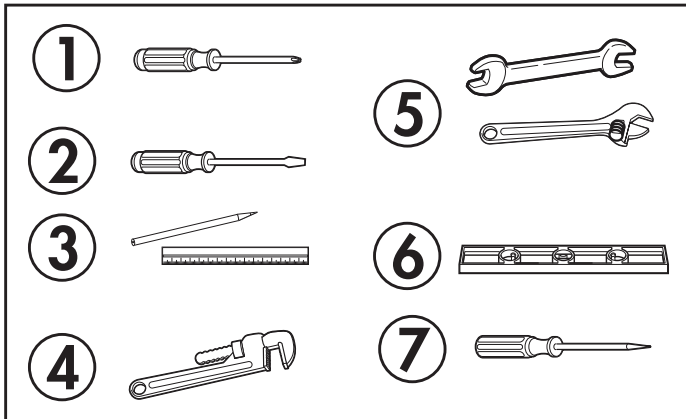
No almacene ni use materiales combustibles, gasolina u otros vapores y líquidos inflamables cerca de este o cualquier otro electrodoméstico.

Si hueles a gas:

1. Ventanas abiertas.
2. No toque interruptores eléctricos.
3. Apaga cualquier llama abierta.
4. Llame inmediatamente a su proveedor de gas.

HERRAMIENTAS REQUERIDAS

1. Destornillador Phillips
2. Destornillador de punta plana
3. Lápiz y regla
4. Llave de tubo
5. Extremo abierto o llave ajustable
6. Nivel
7. Taladrar, punzar o clavar



MATERIALES QUE NECESITARÁ

1. Válvula de cierre de la línea de gas.
2. Sellador de junta de tubería o cinta de rosca de tubería aprobada por UL con Teflón* que resiste la acción de los gases LP y naturales.
3. Conector para electrodomésticos de metal flexible (1/2" I.D.) Se recomienda una longitud de 5 pies para facilitar la instalación, pero se aceptan otras longitudes. Nunca use un conector viejo cuando instale un nuevo rango.
4. Adaptador de unión abocardada para conexión a la línea de suministro de gas (3/4" o 1/2" NPT x 1/2" I.D.)
5. Detector de fugas de líquido o agua jabonosa.
6. Lag perno o 1/2" O.D. anclaje de manga (solo para pisos de concreto).

* Teflon es una marca registrada de DuPont.

INSTRUCCIONES DE INSTALACIÓN

INSTRUCCIONES DE SEGURIDAD DE INSTALACIÓN

Lea estas instrucciones completa y cuidadosamente. El incumplimiento de estas instrucciones puede provocar descargas eléctricas, incendios, lesiones graves o la muerte.

La instalación, ajuste, alteración, servicio o mantenimiento incorrectos pueden causar lesiones o daños a la propiedad. Consulte este manual. Para asistencia o información adicional, consulte a un instalador calificado, agencia de servicio, fabricante (distribuidor) o proveedor de gas.

Nunca reutilice los conectores flexibles viejos. El uso de conectores flexibles viejos puede causar fugas de gas y lesiones personales. Siempre use conectores flexibles nuevos cuando instale un artefacto de gas.

La prueba de fugas del artefacto se realizará de acuerdo con las instrucciones del fabricante.

Retire todo el material de embalaje y la literatura del horno antes de conectar el suministro de gas y electricidad al rango.

No intente operar el horno de este rango durante un corte de energía.

Haga que su rango sea instalado por un instalador calificado.

Su rango debe estar conectado a tierra eléctricamente de acuerdo con los códigos locales o, en ausencia de códigos locales, de acuerdo con el Código Eléctrico Nacional, ANSI / NFPA 70, última edición.

Su rango debe cumplir con los códigos locales de gas o, en ausencia de códigos locales, de acuerdo con el Código Nacional de Gas Combustible, ANSI Z223.1 / NFPA 54.

Los dispositivos diseñados para instalación de casas móviles fabricadas deben cumplir con la Norma de seguridad y construcción de viviendas prefabricadas, Título 24 CFR, Parte 3280, [anteriormente el Estándar Federal para Construcción y Seguridad de Casas Móviles, Título 24, HUD (parte 280)] o con códigos locales donde corresponda.

Los artefactos diseñados para Remolques de parques recreativos deben cumplir con el código estatal o de otro tipo o, en ausencia de tales códigos, con el Estándar para Remolques de parques recreativos, ANSI A1 19.5.

Antes de instalar su estufa en linóleo o cualquier otro revestimiento de piso sintético, asegúrese de que el revestimiento del piso pueda soportar 180°F sin encogerse, combarse o decolorarse. No instale el rango sobre alfombras a menos que se coloque una hoja de madera contrachapada de 1/4" de espesor o un aislante similar entre la estufa y la alfombra.

Asegúrese de que los gabinetes, el piso y los revestimientos de paredes alrededor del rango puedan soportar el calor generado por el rango de hasta 200°F.

Evite colocar gabinetes sobre el rango. Para reducir el peligro causado por alcanzar las llamas abiertas de los quemadores en funcionamiento, instale una campana de ventilación sobre el rango que sobresale al menos 5" más allá de la parte frontal de los gabinetes.

La campana de ventilación debe estar construida de chapa metálica con un espesor no menor de 0.0122". Instale sobre la superficie de cocción con una separación de no menos de 1/4" entre la campana y la parte inferior del material combustible o el gabinete metálico. La campana debe ser al menos tan ancha como el electrodoméstico y centrada sobre el aparato. La separación entre la superficie de cocción y la superficie de la campana de ventilación nunca debe ser inferior a 24". Excepción: la instalación de un horno de microondas o un artefacto de cocina enumerado sobre la superficie de cocción debe cumplir con las instrucciones de instalación incluidas con ese electrodoméstico.

Si los gabinetes se colocan por encima del rango, deje una separación mínima de 30" entre la superficie de cocción y la parte inferior de los gabinetes desprotegidos.

Si no se puede mantener un espacio libre de 30" entre la superficie de cocción y el material combustible o gabinetes metálicos, proteja la parte inferior de los gabinetes sobre la cubierta con no menos de 1/4" de miliboard aislante cubierto con chapa de no menos de 0.0122" de grosor. La separación entre la superficie de cocción y los gabinetes protegidos NUNCA DEBE SER MENOS DE 24".

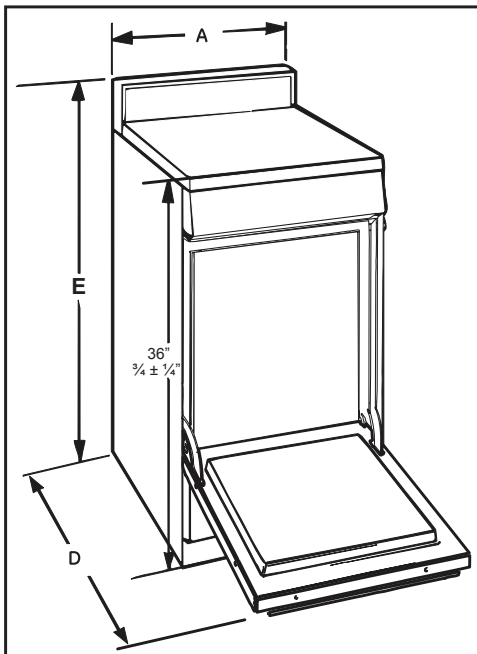
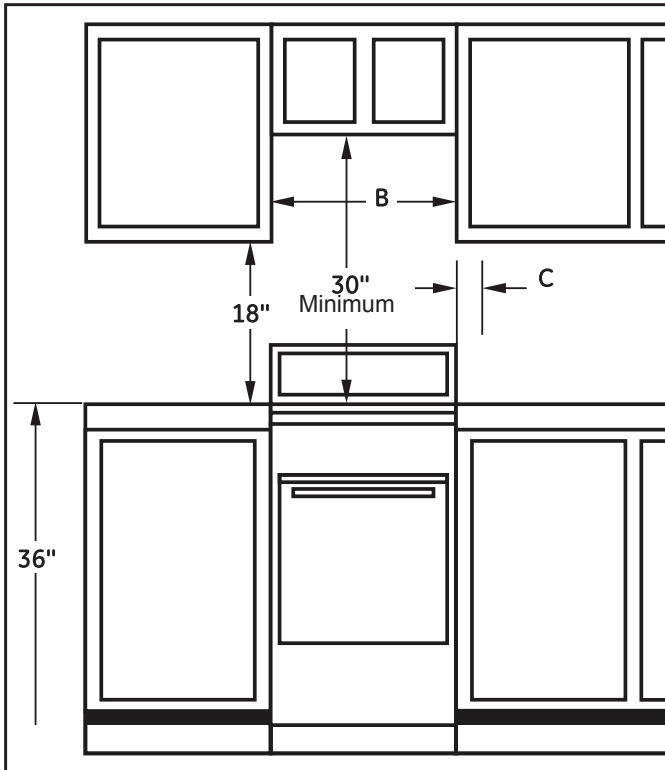
La distancia vertical desde el plano de la superficie de cocción hasta la parte inferior de los armarios aéreos adyacentes que se extienden más cerca de 1" del plano de los lados de la cocina no debe ser menor a 18". (Consulte la Ilustración de dimensiones y espacios libres en esta sección).

INSTRUCCIONES DE INSTALACIÓN

DIMENSIONES Y ESPACIOS

Proporcione distancias adecuadas entre el rango y las superficies combustibles adyacentes. Estas dimensiones deben cumplirse para un uso seguro del rango. La colocación de la toma de corriente y la apertura de la tubería pueden ajustarse para cumplir con los requisitos específicos.

El rango puede colocarse con un espacio libre de 0" debajo de la cubierta y en la pared posterior.



A: 19 3/4"
B: 19 3/4"
C: 2"
D: 44 3/8"
E: 41 3/4"

UBICACIÓN

No ubique el rango donde pueda estar sujeto a fuertes corrientes de aire. Cualquier abertura en el piso o pared detrás de la estufa debe sellarse. Asegúrese de que las aberturas alrededor de la base del rango que suministran aire fresco para la combustión y la ventilación no estén obstruidas por alfombras o carpintería.

Su rango, al igual que muchos otros artículos para el hogar, es pesado y puede instalarse en revestimientos de suelo blando, como vinilos acolchados o alfombras. Tenga cuidado al mover el rango en este tipo de pisos. Se recomienda seguir las siguientes instrucciones sencillas y económicas para proteger su piso.

El rango debe instalarse en una hoja de madera contrachapada o material similar. Cuando el revestimiento del piso termina en la parte delantera del rango, el área en la que se apoyará la estufa debe construirse con madera contrachapada al mismo nivel o más alto que el revestimiento del piso.

Esto permitirá mover el rango para limpieza o servicio. Además, asegúrese de que su revestimiento del piso aguante 180° F.

Asegúrese de que los gabinetes y revestimientos de paredes alrededor de su estufa puedan soportar el calor generado (hasta 200° F) según el rango.

IMPORTANTE

Retire toda la cinta y el embalaje.

Asegúrese de que los quemadores estén correctamente asentados y nivelados.

Saque el paquete de accesorios del horno o del cajón.

Verifique para asegurarse de que ninguna parte del rango se haya aflojado durante el envío.

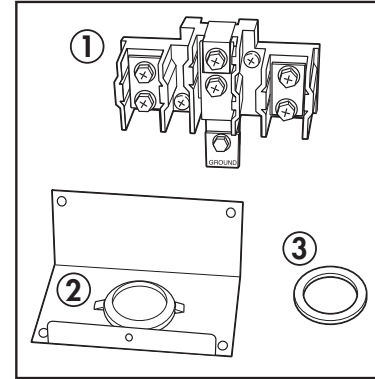
INSTRUCCIONES DE INSTALACIÓN

INSTALACIÓN DEL CORDÓN DE ALIMENTACIÓN Y ALIVIO DE LA TENSIÓN

Retire la cubierta del cable en la parte inferior trasera del rango quitando el tornillo central superior. No descartar este tornillo.

Retire el anillo obturador ubicado en el soporte directamente debajo del bloque de terminales. Para quitar el orificio ciego, use un par de alicates para doblar el anillo obturador lejos del soporte y gírelo hasta que se quite el anillo.

1. Bloque de terminales
2. Anillo extraíble en el soporte
3. Anillo extraíble eliminado



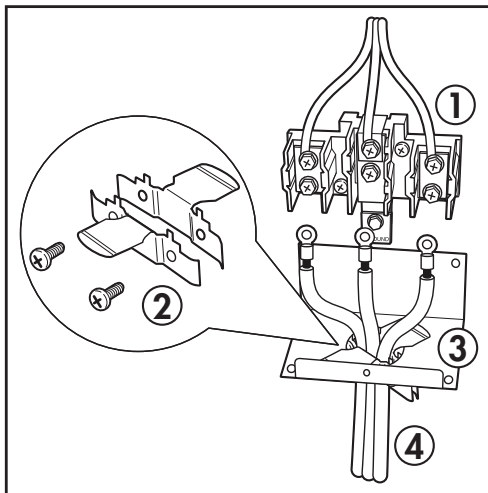
Para instalaciones de cable de alimentación

Ensamble el alivio de tensión en el orificio del soporte. Si las pestañas están presentes al final del alivio de tensión con alas, se pueden quitar para un mejor ajuste.

Inserte el cable de alimentación a través del alivio de tensión y apriételo. Permita suficiente holgura para unir fácilmente los terminales del cable al bloque de terminales.

No instale el cable de alimentación sin un alivio de tensión. El soporte de alivio de tensión debe instalarse antes de volver a instalar la cubierta de cableado del rango posterior.

1. Bloque de terminales
2. Alivio de tensión
3. Soporte
4. Cable de alimentación

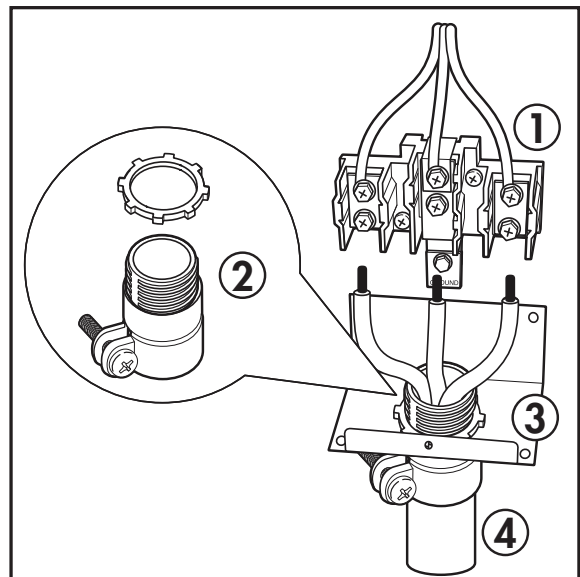


Para instalaciones de conductos

Compre un conector de compresión que coincida con el diámetro de su conducto y arme en el orificio del soporte. Inserte el conducto a través del conector de compresión y apriételo. Permita suficiente holgura para conectar fácilmente los cables al bloque de terminales.

No instale el conducto sin un conector de compresión. El conector de compresión debe instalarse antes de volver a instalar la cubierta de cableado del rango posterior.

1. Bloque de terminales
2. Conector de compresión
3. Soporte
4. Conducto



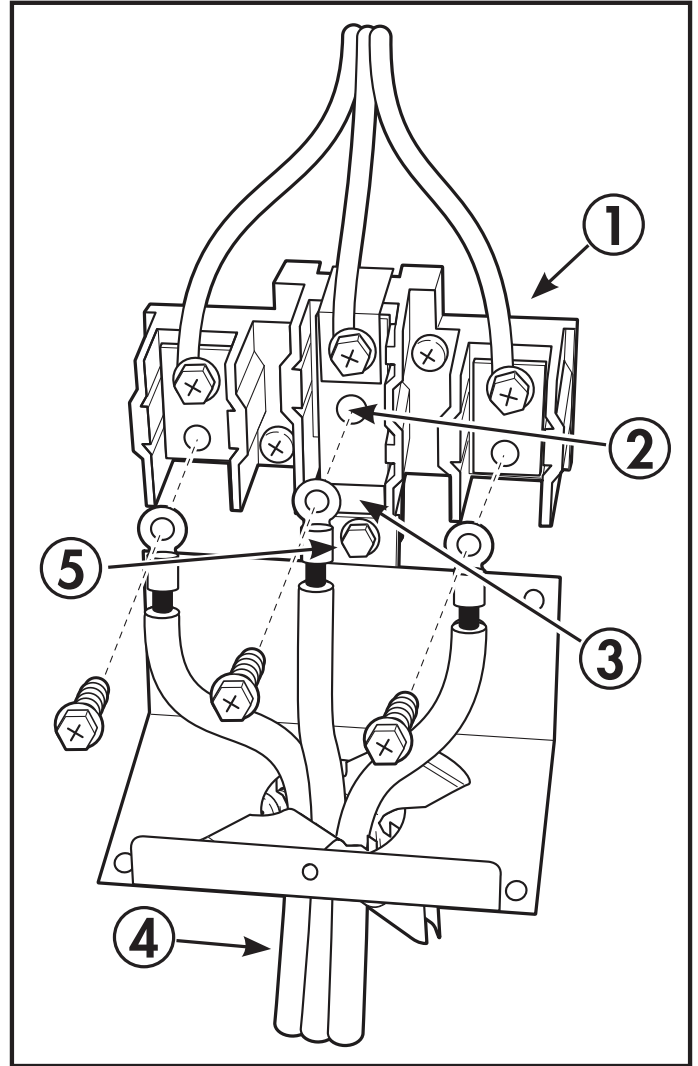
INSTRUCCIONES DE INSTALACIÓN

INSTALACIÓN DEL CABLE DE ALIMENTACIÓN DE 3 CABLES

El cable neutro o de tierra del cable de alimentación debe estar conectado al terminal neutral ubicado en el centro del bloque de terminales. Los cables de alimentación deben estar conectados a los terminales inferior izquierdo e inferior derecho del bloque de terminales.

1. Retire los tres tornillos terminales inferiores del bloque de terminales.
2. Inserte los tres tornillos del terminal a través de cada anillo de terminal del cable de alimentación y en los terminales inferiores del bloque de terminales.
3. Asegúrese de que el cable central esté conectado a la posición inferior central del bloque de terminales.
4. Apriete los tornillos de forma segura en el bloque de terminales.
5. No quite la conexión de la correa de tierra.

1. Bloque de terminales
2. Terminal neutro
3. Cinta de tierra
4. Cable de alimentación
5. Placa de tierra



INSTRUCCIONES DE INSTALACIÓN

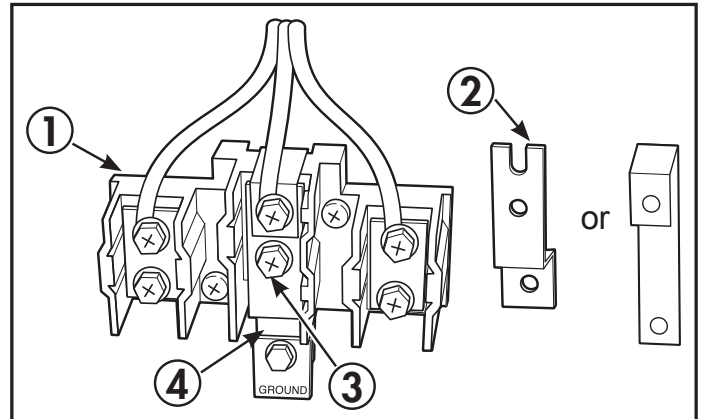
INSTALACIÓN DEL CABLE DE ALIMENTACIÓN DE 4 CABLES

El cable neutro del circuito de alimentación debe conectarse al terminal neutral ubicado en el centro inferior del bloque de terminales. Los cables de alimentación deben estar conectados a los terminales inferior izquierdo e inferior derecho del bloque de terminales. El cuarto cable de tierra debe estar conectado al marco del rango con la placa de tierra y el tornillo de tierra.

1. Retire los tres tornillos terminales inferiores del bloque de terminales.
2. Retire el tornillo de tierra y la placa de tierra y consérvelos.
3. Corta y descarta la correa de tierra. No descartar ningún tornillo.
4. Inserte el tornillo de conexión a tierra en el anillo terminal del cable de alimentación, a través de la placa de conexión a tierra y en el marco del rango.
5. Inserte los tres tornillos del terminal que se quitaron anteriormente a través de cada terminal del cable de alimentación a la derecha y en los terminales inferiores del bloque de terminales.
6. Asegúrese de que el cable central esté conectado a la posición inferior central del bloque de terminales.
7. Apriete los tornillos de forma segura en el bloque de terminales.

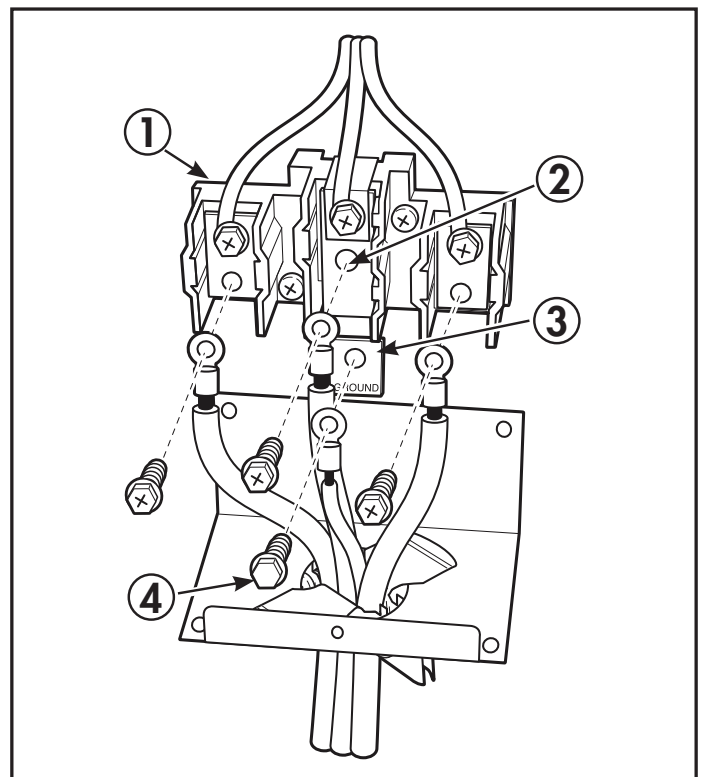
Antes

1. Bloque de terminales
2. Cinta de tierra
3. Terminal neutro
4. Corta y descarta la correa de tierra



Después

1. Bloque de terminales
2. Terminal neutro
3. Placa de tierra (conexión a tierra al rango)
4. Tornillo de tierra



INSTRUCCIONES DE INSTALACIÓN

CONEXIONES ELÉCTRICAS

Requisitos eléctricos:

Circuito dedicado de 120 voltios, 60 hertzios, debidamente conectado a tierra, protegido por un disyuntor de 15 amperios o 20 amperios o un fusible de retardo de tiempo.

NOTA: No se recomienda el uso de interruptores externos automáticos, inalámbricos o por cable que desconectan la alimentación del dispositivo.

ADVERTENCIA PELIGRO DE CHOQUE: Este electrodoméstico debe estar debidamente conectado a tierra. De lo contrario, puede provocar una descarga eléctrica.

El cable de alimentación de este electrodoméstico está equipado con un enchufe de tres patas (conexión a tierra) que se acopla con un tomacorriente de pared de tres patas estándar para minimizar la posibilidad de riesgo de descarga eléctrica de este artefacto.

El cliente debe hacer que el tomacorriente de pared y el circuito sean revisados por un electricista calificado para asegurarse de que el receptáculo esté correctamente conectado a tierra.

Cuando se encuentre un receptáculo de pared de dos puntas estándar, es responsabilidad personal y obligación del cliente reemplazarlo con un receptáculo de pared de tres patas debidamente conectado a tierra.

NO, EN NINGUNA CIRCUNSTANCIA, CORTE O QUITÉ LA TERCERA PIEZA (TIERRA) DEL CABLE DE ALIMENTACIÓN.

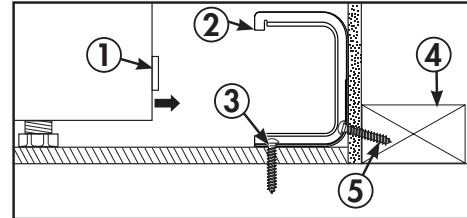
NO USE UN ADAPTADOR.

NO UTILICE UN CABLE DE EXTENSIÓN.

Una palabra sobre los GFCI: no se requieren ni se recomiendan los GFCI para receptáculos de rango de gas. Los Interruptores de circuito de falla a tierra (GFCI) son dispositivos que detectan fugas de corriente en un circuito y desconectan automáticamente la alimentación cuando se detecta un nivel de fuga de umbral. Estos dispositivos deben ser reiniciados manualmente por el consumidor. El Código Eléctrico Nacional requiere el uso de GFCI en receptáculos de cocina instalados para servir a las superficies de la encimera. El rendimiento del rango no se verá afectado si se opera en un circuito protegido por GFCI, pero es posible que se produzca un disparo molesto ocasional del interruptor GFCI.

INSTALACIÓN DEL SOPORTE ANTIVUELCO

1. Brazo antivuelco en la parte posterior del dispositivo
2. Soporte antivuelco
3. El tornillo debe ingresar a madera u hormigón
4. Placa de umbral de pared
5. El tornillo debe ingresar a la madera



Para reducir el riesgo de que el aparato se vuelque, el soporte antivuelco debe instalarse antes de la operación.

Nota: La instalación del soporte antivuelco debe cumplir con todos los códigos locales para asegurar el aparato.

El soporte antivuelco debe fijarse a la pared posterior o al piso y debe colocarse de manera que sobresalga del brazo antivuelco en la parte posterior del artefacto.

Instalación de pared trasera

Use los dos tornillos provistos para asegurar el soporte a la pared posterior. Los tornillos deben ingresar a una placa de umbral de madera. Si la pared contiene pernos metálicos o materiales similares, o si la parte posterior del electrodoméstico no puede alcanzar la pared posterior, se debe usar la instalación del piso.

Instalación de piso

Piso de madera: Use los dos tornillos provistos para asegurar el soporte al piso.

Piso de concreto:

1. Marque la ubicación donde los tornillos deben ser instalados.
2. Use un taladro eléctrico y una broca de hormigón para perforar un orificio piloto de 5/32 pulgadas a una profundidad de 2 pulgadas en el concreto en el centro de cada una de las ubicaciones marcadas.
3. Use los dos tornillos provistos para asegurar el soporte al piso.

Verifica la instalación

Después de instalar el soporte, deslice el dispositivo a su ubicación final. Mire debajo del electrodoméstico y asegúrese de que el brazo antivuelco conectado al panel lateral del electrodoméstico esté enganchado al soporte.

INSTRUCCIONES DE INSTALACIÓN

INSTALAR LA ESTUFA

1. Proporcionar suministro de gas adecuado

Su rango está diseñado para operar a una presión de 5" de columna de agua con gas natural o, si lo desea, para gas LP (propano o butano), 10" de columna de agua.

Asegúrese de que está suministrando su rango con el tipo de gas para el que está diseñado.

Este rango es convertible para usar en gas natural o propano. Si decide usar este rango en gas LP, la conversión debe realizarla un instalador LP calificado antes de intentar operar el rango en ese gas.

Para una operación adecuada, la presión del gas natural suministrado al regulador debe estar entre 6" y 13" de columna de agua.

Para gas LP, la presión suministrada debe estar entre 11" y 13" de columna de agua.

Al verificar el funcionamiento correcto del regulador, la presión de entrada debe ser al menos 1" mayor que la presión de funcionamiento (colector) como se indicó anteriormente.

El regulador de presión ubicado en la entrada del rango debe permanecer en la línea de suministro independientemente de si se está utilizando gas natural o LP.

Un conector de dispositivo de metal flexible utilizado para conectar el rango a la línea de suministro de gas debe tener un ID. de 1/2" y 5 pies de largo para facilitar la instalación. En Canadá, los conectores flexibles deben ser conectores metálicos de una sola pared que no midan más de 6 pies de largo.

INSTALAR LA ESTUFA

2. Conecte la estufa al gas

Apague la válvula de suministro de gas principal antes de desconectar el rango anterior y déjelo apagado hasta que se complete la nueva conexión. No olvide volver a encender el piloto en otros aparatos de gas cuando vuelva a encender el gas.

Debido a que las tuberías duras restringen el movimiento del rango, se recomienda el uso de un conector de dispositivo metálico flexible certificado por CSA International a menos que los códigos locales requieran una conexión de tubería dura.

Nunca use un conector viejo cuando instale un nuevo rango. Si se utiliza el método de tubería dura, debe alinear cuidadosamente la tubería, el rango no se puede mover después de realizar la conexión.

Para evitar fugas de gas, coloque el compuesto de la junta de la tubería, o envuelva la cinta del hilo de la tubería con teflón alrededor de todas las roscas de la tubería macho (externa).

Pasos de instalación:

1. Instale una válvula de cierre de línea de gas manual en la línea de gas en una ubicación de fácil acceso fuera del rango. Asegúrese de que todos los que operan el rango conozcan dónde y cómo cerrar el suministro de gas al rango.
2. Instale un adaptador de unión de abocardado macho de 1/2" a la rosca interna de 1/2" NPT en la entrada del regulador. Use una llave de repuesto en el accesorio del regulador para evitar daños. Al instalar el rango desde la parte delantera, retire el codo de 90° para una instalación más sencilla.
3. Instale un adaptador de unión macho de 1/2" o 3/4" a la rosca interna NPT de la válvula de cierre manual para evitar que gire.
4. Conecte el conector de dispositivo de metal flexible al adaptador en el rango. Rango de posición para permitir la conexión en la válvula de cierre.
5. Cuando se hayan realizado todas las conexiones, asegúrese de que todos los controles de rango estén en la posición de apagado y encienda la válvula de suministro de gas principal. Use un detector de fugas de líquido en todas las uniones y conexiones para verificar si hay fugas en el sistema.

INSTRUCCIONES DE INSTALACIÓN

ADVERTENCIA

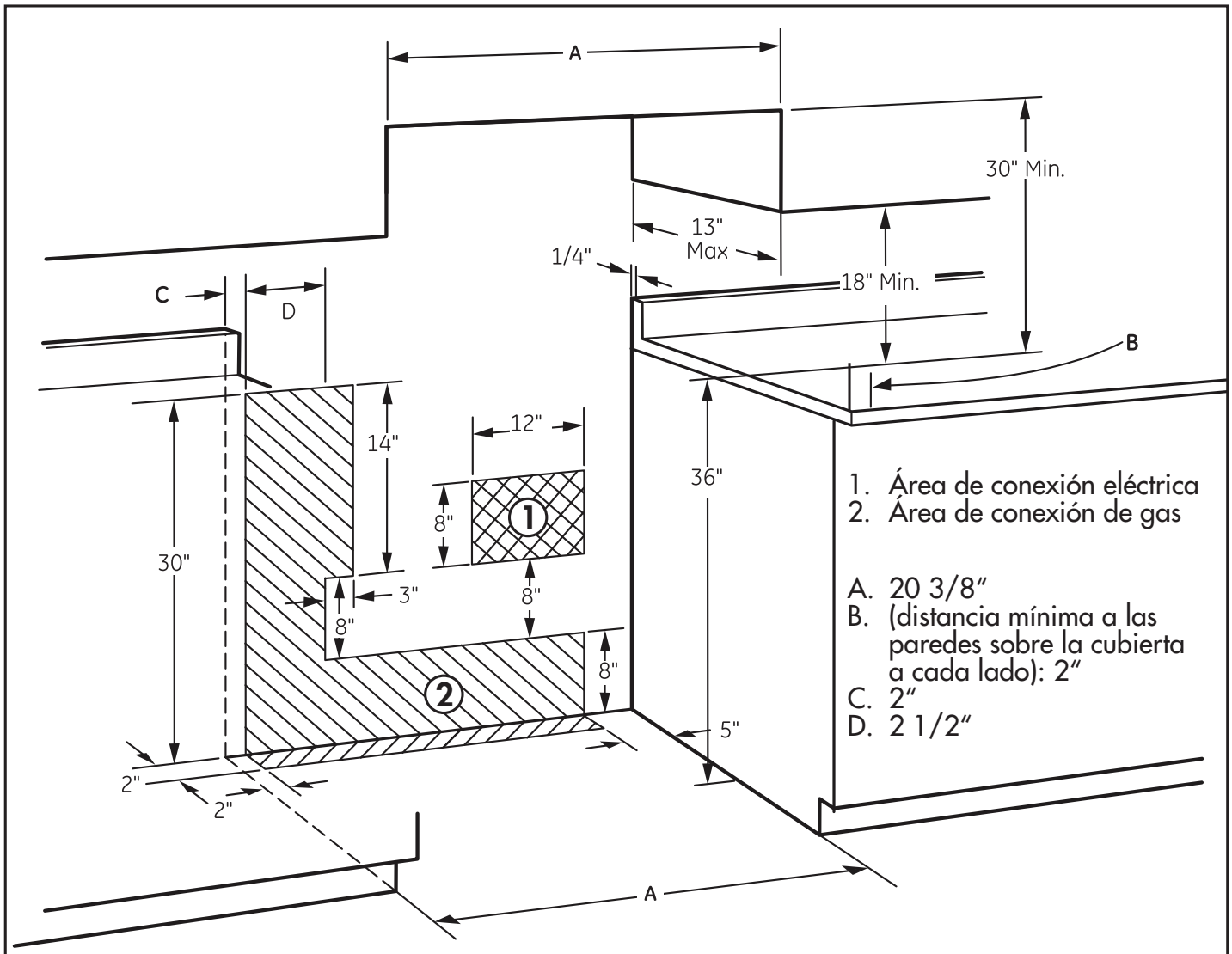
Peligro de incendio: No use una llama para verificar si hay fugas de gas.

Ubicación de suministro de gas y electricidad recomendada

Al usar presiones de prueba superiores a 1/2 psig para probar la presión del sistema de suministro de gas de la residencia, desconecte el rango y la válvula de cierre individual de la tubería de suministro de gas. Al usar presiones de prueba de 1/2 psig o menos para probar el sistema de suministro de gas, simplemente aisle el rango del sistema de suministro de gas cerrando la válvula de cierre individual.

Nota: ubicaciones recomendadas de conexión de gas detrás de la estufa. La válvula de gas y de cierre no debe sobresalir más de 2" de la pared para permitir que la estufa se apoye contra la pared.

Verifique los códigos locales antes de hacer las conexiones.



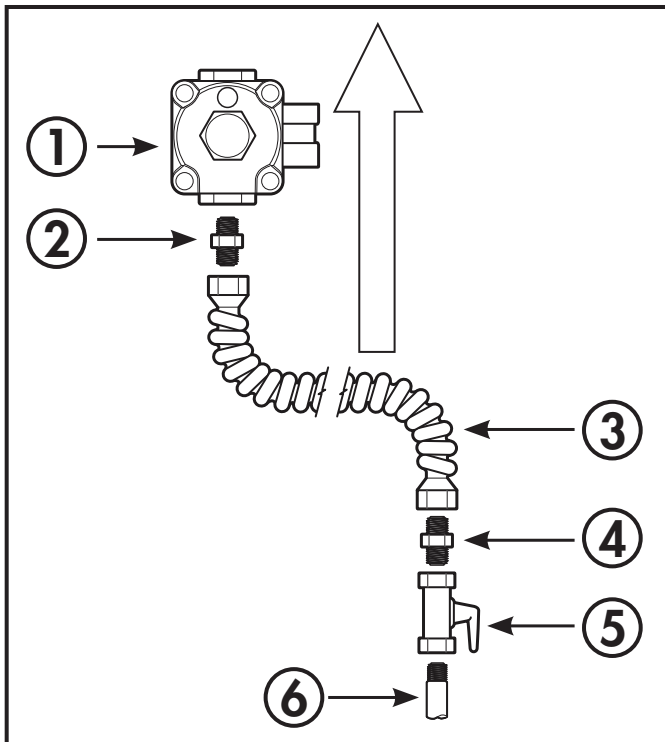
INSTRUCCIONES DE INSTALACIÓN

CONEXIÓN FLEXIBLE CONEXIÓN EJEMPLO

Para el instalador: Informe al consumidor de la ubicación de la válvula de cierre de gas y deje estas instrucciones al consumidor para uso futuro.

Nota: La flecha indica la dirección del flujo de gas en el rango.

1. Regulador de presión
2. Adaptador
3. Conector flexible (4 1/2 pies como máximo)
4. Adaptador
5. Válvula de cierre de gas
6. Tubería de gas de 1/2" o 3/4"

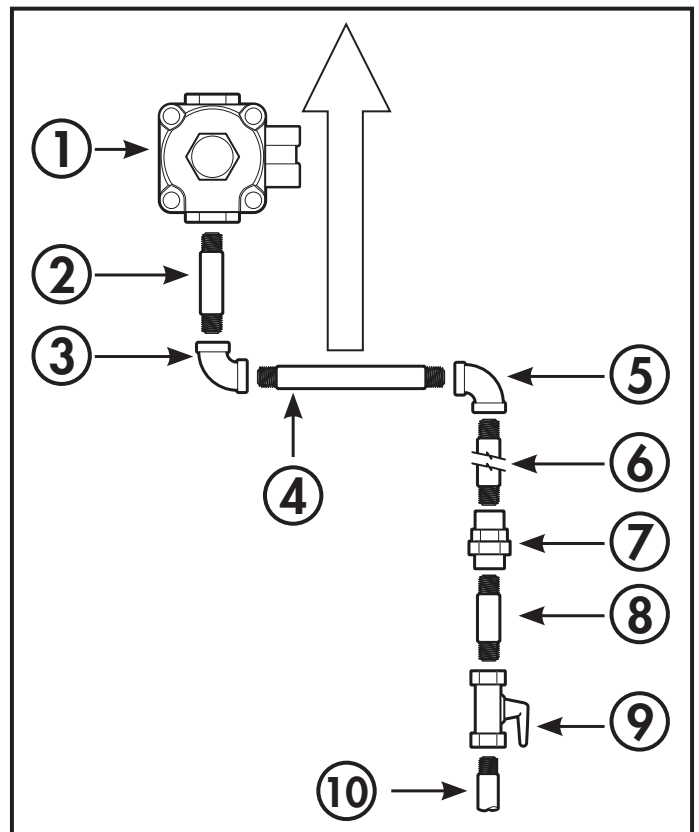


CONEXIÓN DE CONECTOR RÍGIDO EJEMPLO

Para el instalador: Informe al consumidor de la ubicación de la válvula de cierre de gas y deje estas instrucciones al consumidor para uso futuro.

Nota: La flecha indica la dirección del flujo de gas en el rango.

1. Regulador de presión
2. Tubería de hierro negro 4 1/2"
3. Codo de 90°
4. Pezón (puede no ser necesario)
5. Codo de 90°
6. Tubería de hierro negro
7. Unión
8. Pezón
9. Válvula de cierre de gas
10. Tubería de gas de 1/2" o 3/4"



INSTALAR LA ESTUFA

3. Sellar las aberturas

Selle las aberturas en la pared detrás del rango y en el piso debajo del rango cuando se completen las conexiones.

INSTRUCCIONES DE INSTALACIÓN

INSTALAR LA ESTUFA

4. Encendido eléctrico

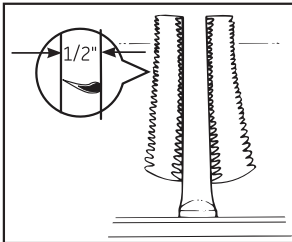
Hay dispositivos de ignición separados para los quemadores de la superficie derecha e izquierda. Ambos de estos dispositivos de encendido están encendidos cuando cualquier perilla se gira a la configuración LITE. Los dispositivos de ignición se encenderán mientras que cualquiera de los mandos superiores del quemador estén en la configuración LITE.

En el caso de una falla de energía eléctrica, las perillas superiores todavía se pueden usar. Para encender un quemador, sostenga un fósforo de cocina iluminado junto al quemador superior que se utilizará y gire el botón de la válvula hacia LITE.

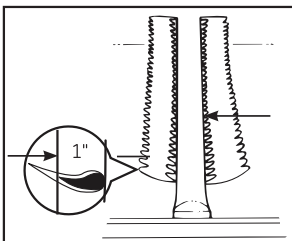
USE EXTREMA PRECAUCIÓN AL ENCENDER UN QUEMADOR DE ESTA MANERA.

5. Ajuste el obturador de aire del quemador del horno

Para el gas natural: La llama del quemador del horno debe ser una llama azul limpia con distintos conos internos de aproximadamente 1/2" de largo. Una llama suave y perezosa con conos indistintos significa demasiado gas o aire insuficiente. Una llama de elevación ruidosa significa demasiado aire.



Para gas LP: La llama debe tener conos azules de aproximadamente 1 pulgada. Después de 30 segundos de funcionamiento del quemador, verifique si las llamas se levantan de los puertos del quemador. Si se observan levantamientos, reduzca gradualmente la abertura del obturador de aire hasta que las llamas se estabilicen. Algunos vertidos de amarillo pueden ser normales para el gas LP.

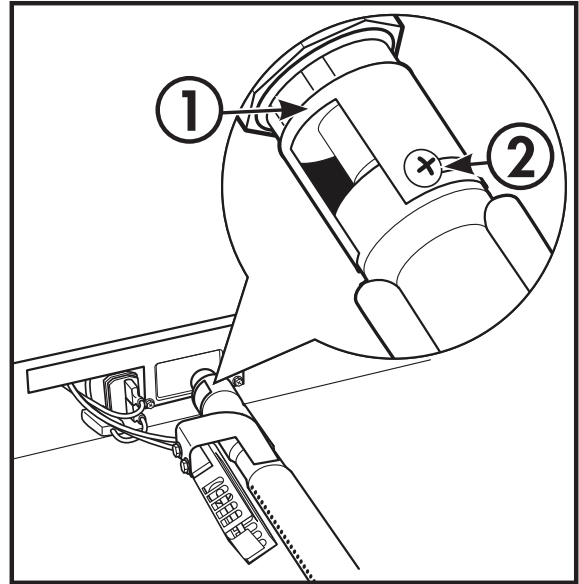


INSTALAR LA ESTUFA

Si el ajuste del quemador es necesario:

Afloje el tornillo de bloqueo ubicado en la parte superior del obturador de aire, luego gire el obturador de aire a la posición correcta y vuelva a apretar el tornillo.

1. Obturador de aire
2. Tornillo de bloqueo



La llama del quemador del horno se puede verificar de la siguiente manera (sin deflector del quemador en su lugar):

- Para corregir una llama amarilla, aumente el tamaño de la apertura del obturador de aire.
- Para corregir una elevación, pero una llama azul distinta, disminuya el tamaño de la apertura del obturador de aire.

El obturador de aire se debe configurar aproximadamente 2/3 abierto para gas natural, y aproximadamente abierto por completo para gas LP.

INSTRUCCIONES DE INSTALACIÓN

INSTALAR LA ESTUFA

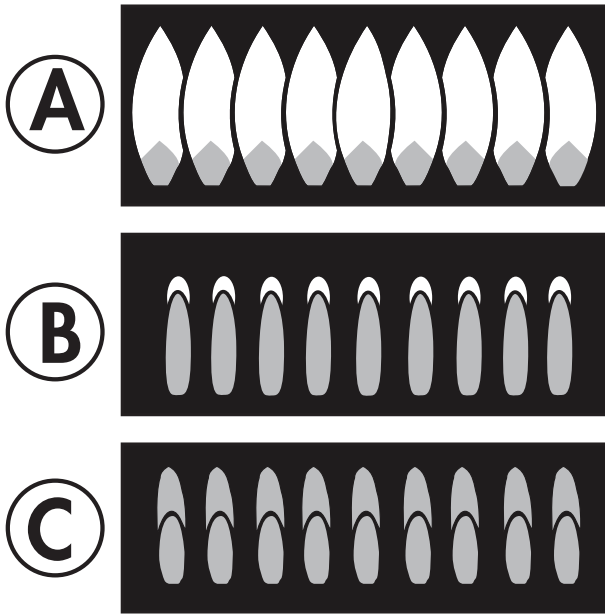
6. Calidad de llamas

La calidad de combustión de las llamas del quemador debe determinarse visualmente.

A: llamas amarillas; llame al servicio

B: puntas amarillas en los conos externos; normal para el gas LP

C: llamas azules suaves; normal para el gas natural



7. Reemplace las partes del horno

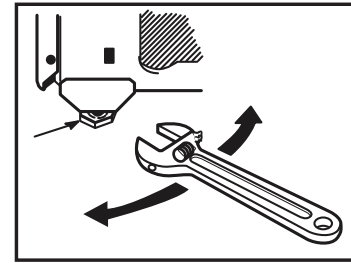
Una vez que se hayan completado todos los ajustes, asegúrese de que todas las piezas del horno estén instaladas correctamente, como el cajón inferior, los estantes del horno y la puerta del horno.

INSTALAR LA ESTUFA

8. Nivelar el rango

Verifique que el electrodoméstico esté nivelado utilizando un nivel de burbuja o una taza medidora transparente parcialmente llena de agua. Asegurarse de que el horno esté nivelado garantizará una cocción pareja.

Use un extremo abierto o una llave ajustable para ajustar las patas de nivelación. Gire la pierna en el sentido de las agujas del reloj para elevar el rango. Gire la pata de nivelación en el sentido contrario a las agujas del reloj para bajar el rango.



LISTA DE VERIFICACIÓN DE INSTALACIÓN

- Asegúrese de que todos los controles estén en la posición OFF.
- Asegúrese de que el flujo de aire de combustión y ventilación al rango no esté obstruido.
- Asegúrese de que todas las partes del horno estén instaladas correctamente.
- Verifique que el soporte antivuelco esté instalado y funcione correctamente.

CONVERTIR EN LP (PROPANO LÍQUIDO) GAS

Este rango deja la fábrica configurada para usar con gas natural. La conversión a gas LP debe ser realizada por un instalador de gas LP calificado.

Las instrucciones de conversión y los orificios LP se pueden encontrar adjuntos a la parte posterior del rango.

INSTRUCCIONES DE OPERACIÓN

USO DE QUEMADORES DE SUPERFICIE DE GAS

Antes de encender un quemador de gas:

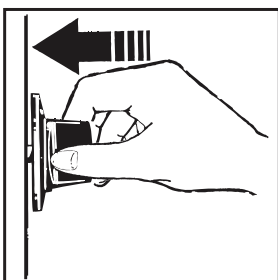
- Asegúrese de que todos los quemadores estén en su lugar.
- Asegúrese de que todas las rejillas en el rango estén ubicadas correctamente antes de usar cualquier quemador.

Después de encender un quemador de gas:

- No opere el quemador por un período prolongado de tiempo sin utensilios de cocina en la parrilla. El acabado en la parrilla puede decolorarse o rodar sin utensilios para absorber el calor.
- Asegúrese de que los quemadores y las parrillas estén fríos antes de colocar la mano, un soporte para ollas, paños de limpieza u otros materiales sobre ellos.

Cómo encender un quemador de superficie de gas:

- Asegúrese de que todos los quemadores de superficie estén colocados en sus posiciones respectivas.
- Presione la perilla de control y gírela a la posición LITE.
- Escuchará un clic, este es el sonido de la chispa eléctrica que enciende el quemador.
- Gire la perilla para ajustar el tamaño de la llama. Si la perilla permanece en LITE, continuará haciendo clic.
- Cuando un quemador se gira a LITE, todos los quemadores se disparan. No intente desmontar ni limpiar alrededor de ningún quemador mientras otro quemador esté encendido. Puede provocar una descarga eléctrica, lo que podría ocasionar que golpee los utensilios de cocina calientes.
- Observe la llama, no la perilla, mientras ajusta el calor. Cuando se desea un calentamiento rápido, el tamaño de la llama en un quemador de gas debe coincidir con el utensilio de cocina que está utilizando.
- Llamas más grandes que la parte inferior de los utensilios de cocina no provocarán un calentamiento más rápido y pueden ser peligrosos.



ADVERTENCIA

Las llamas que no están cubiertas por los utensilios de cocina pueden presentar riesgo de quemaduras o ignición de la ropa. Nunca permita que las llamas se extiendan más allá de los lados del utensilio de cocina.

UTENSILIOS DE COCINA ACEPTABLE

Aluminio: Se recomienda el utensilio de cocina de peso medio porque se calienta de manera rápida y uniforme. La mayoría de los alimentos se doran uniformemente en una sartén de aluminio. Use ollas con tapas ajustadas cuando cocine con cantidades mínimas de agua.

Hierro fundido: Si se calienta lentamente, la mayoría de las sartenes darán resultados satisfactorios.

Enamelware: Bajo ciertas condiciones, el esmalte de algunos utensilios de cocina puede derretirse. Siga las recomendaciones del fabricante de utensilios de cocina para los métodos de cocción.

Vaso: Hay dos tipos de utensilios de cocina de vidrio: los que se usan solo en el horno y los que se usan para cocinar de la mejor calidad (ollas, cafeteras y teteras). El vidrio conduce el calor muy lentamente.

Cerámica de vidrio a prueba de calor: Se puede usar para cocinar en la superficie o en el horno. Conduce el calor muy lentamente y se enfría muy lentamente. Verifique las instrucciones del fabricante de los utensilios de cocina para asegurarse de que se puedan usar en los rangos de gas.

Acero inoxidable: Este metal solo tiene pobres propiedades de calentamiento y generalmente se combina con cobre, aluminio u otros metales para una mejor distribución del calor. Las sartenes combinadas de metal generalmente funcionan satisfactoriamente si se usan a fuego medio, como recomienda el fabricante.

EN CASO DE FALLA DE ENERGÍA

En caso de una falla de energía, puede encender los quemadores de superficie en su rango con una cerilla. Mantenga una cerilla encendida en los puertos del quemador, luego lentamente gire la perilla de control a la posición LITE. Tenga extrema precaución al encender los quemadores de esta manera.

Los quemadores de superficie en uso cuando ocurre una falla de energía eléctrica continuarán funcionando normalmente.

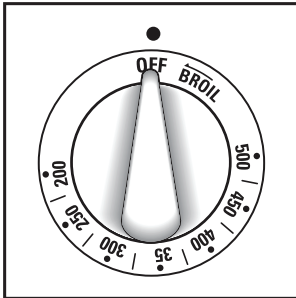
INSTRUCCIONES DE OPERACIÓN

UTILIZANDO EL HORNO

Controles del horno

El horno está controlado por la perilla de temperatura del horno. Puede pasar hasta 90 segundos antes de que se encienda la llama.

Una vez que el horno alcanza la temperatura seleccionada, el quemador del horno mantiene la temperatura seleccionada.



EN CASO DE FALLA DE ENERGÍA

El horno o la parrilla no pueden encenderse durante un corte de energía.

Si el horno está en uso cuando ocurre un corte de energía, el quemador del horno se apaga. Esto se debe a que el flujo de gas se detiene automáticamente y no se reanuda hasta que se restablezca la energía.

VENTILACIÓN SUPERIOR DEL HORNO

Su horno se ventila a través de conductos en la parte posterior de la cocina. No bloquee estos conductos cuando cocine en el horno: es importante que el flujo de aire caliente del horno y aire fresco al quemador del horno no se interrumpa. Evite tocar las aberturas de ventilación o las superficies cercanas durante las operaciones del horno o de la parrilla: pueden calentarse.

Las manijas de ollas y sartenes sobre la superficie de cocción pueden calentarse si se dejan demasiado cerca de la ventilación.

No deje artículos de plástico o inflamables en la superficie de cocción, ya que pueden derretirse o encenderse si se dejan demasiado cerca de la ventilación.

No deje contenedores cerrados de la estufa. La presión en contenedores cerrados puede aumentar, lo que puede hacer que exploten.

Los artículos de metal se calentarán mucho si se dejan sobre la superficie de cocción y podrían causar quemaduras.

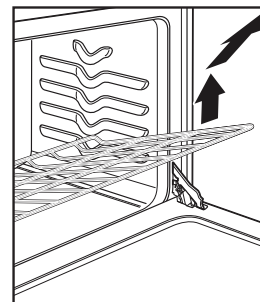
ESTANTES DEL HORNO

Las repisas del horno están diseñadas con cierres de parada para que cuando se coloquen correctamente en los soportes de la repisa, se detengan antes de salir por completo del horno y no se inclinen cuando se quitan o agregan alimentos.

Para quitar los estantes del horno, tire del estante hacia afuera, incline el extremo frontal hacia arriba y sáquelo.

Para reemplazar los estantes, coloque el estante en el soporte con los seguros de parada hacia arriba y hacia la parte posterior del horno. Incline la parte delantera hacia adelante y empuje la repisa hacia la parte posterior del horno hasta que pase el tope en el soporte del estante, luego baje la parte frontal del estante y empujelo hasta el fondo del horno.

El horno tiene cuatro diferentes posiciones de soporte de estante para adaptarse a los diferentes requisitos de cocción.



POSICIONES DE ESTANTE

- La mayoría de la cocción se realiza en la segunda o tercera posición desde el fondo del horno.
- Cuando hornee múltiples artículos, use dos estantes colocados en el segundo y cuarto soportes de estantes desde la parte inferior del horno.
- El tostado generalmente se realiza en la posición inferior de la plataforma.
- Como regla general, coloque la mayoría de los alimentos en el medio del horno en el segundo o tercer estante.
- Las sartenes no deben tocarse entre sí ni en las paredes del horno. Deje 1 a 1 1/2 pulgadas de espacio entre las bandejas, así como desde la parte posterior del horno, la puerta y los laterales. Si necesita usar dos estantes, escalone las bandejas para que una no esté directamente encima de la otra.

INSTRUCCIONES DE OPERACIÓN

HORNEAR Y ASAR

1. Coloque los estantes en el horno. Si cocina en dos estantes al mismo tiempo, escale las bandejas para obtener la mejor circulación de calor.
2. Coloque la comida en el centro del estante del horno. Deje al menos 2 pulgadas entre el extremo de la bandeja y la pared del horno o cualquier bandeja adyacente.
3. Gire la perilla de temperatura del horno a la temperatura deseada.
4. Revise la comida regularmente. Retire una vez hecho y asegúrese de que el horno esté apagado.

CONSEJOS PARA HORNEAR Y TOSTAR

- Siga una receta probada y mida los ingredientes cuidadosamente. Si está utilizando una mezcla de paquete, siga las instrucciones de la etiqueta.
- No abra la puerta del horno mientras hornea o asa. Se perderá calor y es posible que se deba extender el tiempo de cocción. Si debe abrir la puerta, ábrala parcialmente y ciérrala lo más rápido posible.
- El asado se cocina con calor seco. La carne tierna o las aves de corral se pueden tostar sin cubrir. Las temperaturas de tostado, que deben ser bajas y constantes, mantienen las salpicaduras al mínimo. Cuando se tuesta, no es necesario quemar, rociar, cubrir o agregar agua a la carne.
- Los asados congelados de carne se pueden cocinar sin descongelar, pero permiten de 10 a 25 minutos de tiempo adicional por libra de carne (10 minutos por libra para asados de menos de 5 libras, más tiempo para asados más grandes).
- Descongele las aves de corral congeladas antes de asarlas para asegurar una cocción pareja. Algunas aves de corral congeladas comerciales se pueden cocinar con éxito sin descongelarlas. Siga las instrucciones dadas en la etiqueta del paquete.

COCINA SEGURA

El USDA recomienda las siguientes temperaturas internas seguras mínimas:

- Filetes o chuletas crudas de res, cerdo, cordero y ternera: 145 ° F, medido con un termómetro para alimentos, antes de retirar la carne de la fuente de calor. Por seguridad y calidad, deje reposar la carne durante al menos tres minutos antes de trincar o consumir.
- Carne molida cruda, cerdo, cordero o ternera: 160 ° F, medida con un termómetro para alimentos.
- Aves: 165 ° F medido con un termómetro para alimentos.
- Para obtener más información, visite: www.isitdoneyet.gov o llame gratis a la línea directa de carnes y aves de USDA al 1-888-674-6854.

ASADO DE HORNO

Asar es cocinar los alimentos por calor directo desde arriba de la comida. La mayoría de los pescados y cortes tiernos de carne se pueden asar a la parrilla. La gama tiene un compartimento debajo del horno para asar a la parrilla. Una bandeja de asar especialmente diseñada permite que la grasa que gotea se escurra de la comida. Tanto la puerta del horno como el compartimento del compartimento de la parrilla deben estar cerrados durante la cocción.

1. El precalentamiento del cajón de la caldera no es necesario y puede producir resultados pobres.
2. Si la carne tiene grasa o cartilago alrededor del borde, corte las barras verticales a una distancia de aproximadamente 2 ". Si lo desea, puede recortar la grasa, dejando una capa de aproximadamente 1/8 "de espesor.
3. Coloque la carne en una rejilla para asar en una asadera diseñada para asar. Siempre use la rejilla para que la grasa gotee en la asadera; de lo contrario, los jugos pueden calentarse lo suficiente como para prenderse fuego.
4. Coloque la comida en el asador y cierre la puerta.
5. Gire la perilla de temperatura del horno a BROIL.
6. La comida se puede cambiar durante la cocción si es necesario. Tenga cuidado con el aire caliente o el vapor al abrir la puerta del horno.
7. Asegúrese de poner la perilla de temperatura del horno en OFF una vez que haya terminado de asar.

CONSEJOS DE ASADO

- Siempre use el asador y la parrilla que viene con su estufa. Está diseñado para minimizar el humo y las salpicaduras al atrapar los jugos en la parte interior blindada de la sartén.
- Para filetes y chuletas, corte grasa uniformemente alrededor de los bordes exteriores de la carne. Use pinzas para voltear la carne para evitar perforar la carne y perder jugos.
- Si lo desea, marinar las carnes antes de asar, o cepillar con salsa barbacoa en los últimos 5-10 minutos solamente.
- Cuando organice la comida en la sartén, no deje que los bordes grasos cuelguen por los lados porque el goteo de grasa podría ensuciar el horno.
- Los filetes congelados se pueden asar colocándolos en la siguiente posición más baja de la parrilla e incrementando el tiempo de cocción 1 1/2 veces por cada lado.
- El papel de aluminio se puede usar para revestir el asador y la parrilla, sin embargo, debe moldearse herméticamente en la rejilla y las hendiduras deben cortarse en papel de aluminio para que la grasa y los jugos puedan filtrarse a la parte interior de la sartén.

INSTRUCCIONES DE OPERACIÓN

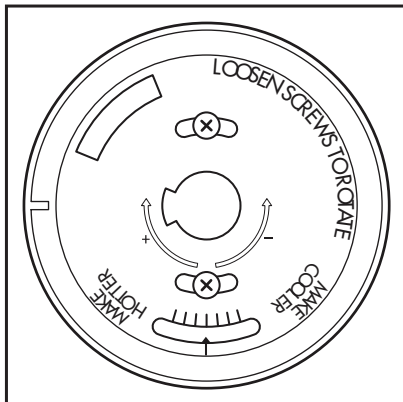
AJUSTE EL TERMOSTATO DEL HORNO

Es posible que el nuevo horno se cocine de forma diferente a la que reemplazó. Use el horno nuevo por unas semanas para familiarizarse con él. Si aún encuentra que el horno está demasiado caliente o demasiado frío, puede ajustar el termostato.

No use termómetros, como los que se encuentran en las tiendas de comestibles para verificar la temperatura del horno. No están calibrados para altas temperaturas y pueden variar de 20 a 40 grados.

Este ajuste no afectará las temperaturas de asado. El ajuste se mantendrá después de un corte de energía.

1. Saque la perilla de temperatura del horno fuera del alcance y mire la parte trasera. Para hacer un ajuste, afloje en una vuelta los dos tornillos en la parte posterior de la perilla. No quite completamente los tornillos.
2. Con la parte posterior de la perilla hacia usted, sostenga el borde exterior de la perilla con una mano y gire la parte delantera de la perilla con la otra mano.
3. Para aumentar la temperatura del horno, mueva el tornillo superior hacia la derecha.
4. Para disminuir la temperatura del horno, mueva el tornillo superior hacia la izquierda.
5. Escuchará un clic por cada muesca que mueva la perilla. Cada clic cambiará la temperatura del horno aproximadamente 10 ° F. El rango es más o menos 60 ° F desde la flecha. Sugerimos que ajuste la temperatura con un clic y luego pruebe el rendimiento del horno antes de ajustarlo más.
6. Después de realizar el ajuste, vuelva a apretar los tornillos para que queden ajustados. Tenga cuidado de no apretar demasiado.
7. Reemplace la perilla, haciendo coincidir el área plana de la perilla con el eje.



PAPEL DE ALUMINIO

No use papel de aluminio para revestir el fondo del horno. La lámina atraparé el calor por debajo y alterará el rendimiento del horno. La lámina puede derretirse y dañar permanentemente el fondo del horno. La garantía del producto no cubre los daños causados por el uso inadecuado de papel de aluminio.

La lámina se puede usar para atrapar los derrames colocando una hoja en una rejilla inferior, varias pulgadas debajo de la comida. No use más papel de aluminio de lo necesario y nunca cubra completamente una rejilla del horno con papel de aluminio. Mantenga la lámina al menos 1 a 1 1/2 pulgadas de las paredes del horno para evitar una mala circulación de calor.

HUMEDAD DEL HORNO

A medida que el horno se calienta, el cambio de temperatura del aire en el horno puede hacer que se formen gotas de agua sobre el vidrio de la puerta. Estas gotitas son inofensivas y se evaporarán a medida que el horno continúe calentándose.

SALIDAS DE AIRE DEL HORNO

Nunca bloquee las salidas de aire. Proporcionan la entrada y salida de aire que son necesarias para que el rango funcione correctamente con la combustión correcta.

Las aberturas de aire están ubicadas en la parte posterior de la estufa, en la parte superior e inferior de la puerta del horno y en la parte inferior del estufa.

La apariencia y la ubicación del respiradero pueden variar.

CUIDADO Y MANTENIMIENTO

REJILLAS DE QUEMADOR

La gama tiene dos o tres rejillas dobles de estilo profesional. Estas rejas son específicas de la posición. Para una máxima estabilidad, estas parrillas solo deben usarse en su posición correcta; no se pueden intercambiar de izquierda a derecha o de adelante hacia atrás.

Para mayor comodidad, la parte inferior de las rejillas izquierda y derecha está marcada como "FRONT LEFT" y "FRONT RIGHT". Asegúrese de que la parte frontal de ambas rejillas esté al frente. La rejilla del medio tiene un arco en frente. Asegúrese de que la porción arqueada esté hacia el frente del rango. Además, la rejilla del medio es compatible con las rejillas izquierda y derecha, y debe instalarse por último para la estabilidad.

Limpieza de las parrillas del quemador

Levante cuando esté frío. Las rejillas deben lavarse regularmente y, por supuesto, después de los derrames. Lávelos en agua caliente con jabón y enjuague con agua limpia. Cuando reemplace las rejillas, asegúrese de que estén bien colocadas sobre los quemadores.

Reemplace las rejillas para que se formen arcos continuos con las nervaduras centrales de las tres rejillas.

No opere un quemador por un período prolongado sin utensilios de cocina en la parrilla. El acabado en la parrilla puede romper sin utensilios para absorber el calor.

Para deshacerse de los alimentos quemados, coloque las parrillas en un recipiente tapado. Agregue 1/4 de taza de amoníaco y deje remojar varias horas o toda la noche. Lavar, enjuagar bien y secar.

Aunque son duraderas, las rejillas perderán gradualmente su brillo, independientemente de la mejor atención que pueda brindarles. Esto se debe a su exposición continua a altas temperaturas. Notarás esto antes con rejillas de color más claro.

LIMPIEZA

Superficie de la estufa

Para evitar dañar la superficie de porcelana esmaltada de la estufa y evitar que se opaque, limpie los derrames de inmediato. Los alimentos con mucho ácido o alimentos con alto contenido de azúcar pueden causar una mancha opaca si se les permite establecerlos.

Cuando la superficie se haya enfriado, lavar y enjuagar. Para otros derrames, como las salpicaduras de grasa, lave con agua y jabón una vez que la superficie se haya enfriado. Luego enjuague y pule con un paño seco.

Panel de control y perillas

Es una buena idea limpiar el panel de control después de cada uso del horno. Use un paño húmedo para limpiar o enjuagar. Para la limpieza, use jabón suave y agua o una solución al 50/50 de vinagre y agua. Para enjuagar, use agua limpia. Pulir en seco con un paño suave.

No use limpiadores abrasivos, limpiadores líquidos fuertes, estropajos de plástico o limpiadores para hornos en el panel de control ya que dañarán el acabado.

No intente doblar las perillas tirando de ellas hacia arriba o hacia abajo o colgando una toalla u otras cargas. Esto puede dañar el eje de la válvula de gas.

Las perillas de control se pueden quitar para facilitar la limpieza. Asegúrese de que las perillas estén en las posiciones de apagado y tire de ellas hacia afuera de los tallos para limpiarlas. Las perillas se pueden limpiar en un lavavajillas o también se pueden lavar con agua y jabón. Asegúrese de que el interior de las perillas esté seco antes de volver a colocarlo.

Reemplace las perillas en la posición de apagado para asegurar una colocación correcta. Tenga en cuenta que las perillas no son intercambiables. Asegúrese de volver a instalar las perillas en la ubicación original.

Las partes metálicas se pueden limpiar con agua y jabón. No use lana de acero, abrasivos, amoníaco, ácidos o limpiadores comerciales para hornos. Seque con un paño suave.

CUIDADO Y MANTENIMIENTO

Estantes de horno y parrilla

Los estantes y el estante para parrilla se pueden limpiar a mano con agua y jabón o con un limpiador abrasivo o lana de acero. Después de la limpieza, enjuague los estantes y la rejilla para asar con agua limpia y seque con un paño limpio.

Después de la limpieza, engrase todos los bordes de la parrilla del horno con una capa ligera de aceite vegetal. Esto ayudará a mantener la facilidad de deslizar los bastidores dentro y fuera del horno.

Interior del horno de porcelana

Con el cuidado adecuado, el interior de esmalte de porcelana conservará su acabado por muchos años.

Se puede usar jabón y agua para limpiar el interior. Las salpicaduras o derrames intensos pueden requerir limpieza con un limpiador abrasivo suave.

No permita que los derrames con alto contenido de ácido, como leche, tomates, jugos de frutas o relleno de pastel, permanezcan en la superficie. Pueden causar manchas opacas incluso después de la limpieza.

El amoníaco doméstico puede facilitar la limpieza. Coloque 1/2 taza de amoníaco en un recipiente de vidrio poco profundo y déjelo en un horno frío durante la noche. Los humos de amoníaco ayudarán a aflojar la grasa y los alimentos quemados.

Precauciones sobre el uso de limpiadores de horno rociadores

No rocíe el limpiador del horno sobre los controles eléctricos y los interruptores ya que podría provocar un cortocircuito y provocar chispas o incendios.

No permita que una película del limpiador del horno permanezca en el sensor de temperatura, ya que podría causar que el horno se caliente de manera incorrecta. El sensor está ubicado en la parte superior del horno. Limpie cuidadosamente la bombilla después de cada limpieza del horno, teniendo cuidado de no mover el sensor, ya que un cambio en su posición podría afectar la forma en que hornea el horno.

No rocíe el limpiador del horno en la parte exterior de la puerta del horno, las manijas o cualquier superficie exterior del horno, el gabinete o las superficies pintadas. El limpiador puede dañar estas superficies.

Parte inferior extraíble del horno

En algunos modelos, el panel inferior del horno es extraíble y se puede lavar por separado.

Para quitar el fondo del horno:

1. Retire el tornillo moleteado en la parte frontal del horno.
2. Agarre cada lado del fondo del horno y empuje hacia atrás.
3. Levante el frente hacia arriba y sáquelo del horno.

Para reemplazar la parte inferior del horno:

1. Sujete cada lado de la parte inferior del horno y guíe sus pestañas traseras en las ranuras de la parte posterior del horno.
2. Baje la parte inferior del horno y tire de ella hacia adelante hasta que esté segura debajo del borde del piso delantero del horno.
3. En los modelos equipados, reemplace el tornillo moleteado en la parte frontal del horno.

NOTA: Si la parte inferior del horno se reemplaza incorrectamente, puede deformarse y causar resultados de horneado indeseables.

Compartimiento de la broiler

La bandeja de asar se mantiene en su lugar en la parrilla de asar.

Para quitar la asadera:

1. Tire suavemente hacia adelante en la puerta del asador desplegable.
2. Tire de la parrilla con la bandeja hacia adelante hasta que la parrilla se detenga.
3. Sujete la bandeja de asar y retírela de la parrilla de asar.

Para reemplazar la asadera:

1. Deslice la bandeja de asar en la rejilla y empuje la bandeja de asar y la rejilla hasta el fondo en el compartimiento de la parrilla.
2. Cierre la puerta del asador.

Si se produce un derrame en el compartimiento de la parrilla, deje que el compartimiento se enfríe primero. Puede limpiar el compartimiento con agua y jabón, un limpiador abrasivo suave, estropajos llenos de jabón o un limpiador de hornos siguiendo las instrucciones del paquete.

CUIDADO Y MANTENIMIENTO

Asadera y guardia

Después de asar, retire la asadera del horno. Retire la rejilla de la sartén. Con cuidado vierta la grasa de la sartén en un recipiente adecuado. Lave y enjuague la asadera y la rejilla en agua caliente con una esponja de plástico llena de jabón.

Si la comida se ha quemado, espolvoree la rejilla con detergente mientras está caliente y cúbrala con toallas de papel mojadas o un paño de cocina. Remojar la sartén eliminará los alimentos quemados.

No guarde una parrilla ni una parrilla sucias en ningún lugar dentro del rango.

PUERTA DE HORNO EXTRAÍBLE

La puerta del horno es extraíble pero es pesada. Se recomienda que al menos dos personas trabajen juntas para eliminarlo.

Para quitar la puerta:

1. Abra la puerta a la posición completamente abierta.
2. Tire de los bloqueos de la bisagra hacia arriba sobre los ganchos de la bisagra en ambos lados.
3. Sujete firmemente la puerta por ambos lados, levántela levemente y tire de ella hacia afuera y lejos del horno.

Para reemplazar la puerta:

1. Sujete firmemente ambos lados de la puerta en la parte superior.
2. Inserte y coloque los brazos de la bisagra superior e inferior en las ranuras del horno.
3. Empuje los cierres de la bisagra hacia abajo desde los ganchos de la bisagra.
4. Cierre la puerta del horno y asegúrese de que esté funcionando correctamente. Si parece desigual o no se cierra completamente, quítelo de nuevo y repita los pasos para reemplazarlo.

Nota: No intente cerrar la puerta hasta que esté instalada correctamente. Las bisagras podrían dañarse.

Ventana de la puerta de vidrio

Para limpiar el exterior de la ventana de la puerta de vidrio, use un limpiador de vidrio. Enjuague y pule con un paño seco.

Evite rayar o golpear la ventana de vidrio. Hacerlo puede hacer que el vidrio se rompa.

REEMPLAZO DE LA LUZ DEL HORNO

Importante: Antes de reemplazar la bombilla del horno, asegúrese de que la electricidad esté desconectada del artefacto. De lo contrario, puede provocar una descarga eléctrica o quemaduras.

Asegúrese de dejar que la cubierta de la luz y la bombilla se enfríen por completo antes de volver a colocarla.

Quitar la puerta del horno puede facilitar este proceso.

Para quitar la cubierta de luz:

1. Gire la lente hacia la izquierda aproximadamente 1/4 de vuelta para quitarla. No quite ningún tornillo para quitar la cubierta de la luz.
2. No toque la bombilla con un paño mojado. Reemplace la bombilla con una bombilla de luz de 40 vatios.

Para reemplazar la cubierta de luz:

1. Alinee las pestañas de la lente con las pestañas en la carcasa de la luz y gírelas en el sentido de las agujas del reloj aproximadamente 1/4 de vuelta para instalarlas.

SOLUCIÓN DE PROBLEMAS

Danby cuidado del consumidor: 1-800-263-2629

Horas de operación:

Lunes a Jueves 8:30 am - 6:00 pm Hora estándar del este

Viernes 8:30 am - 4:00 pm Hora estándar del este

La información de este manual está sujeta a cambios sin previo aviso.

PROBLEMA	CAUSA POSIBLE
Ninguna energía	<ul style="list-style-type: none"> Se puede fundir un fusible o se disparó el disyuntor El enchufe no está completamente insertado en el tomacorriente de la pared
Los elementos de la superficie no funcionan correctamente	<ul style="list-style-type: none"> Los agujeros del quemador en el costado o alrededor de la parte superior del quemador pueden estar obstruidos. Es posible que los quemadores no estén colocados correctamente en los soportes de montaje.
Los quemadores tienen llamas de punta amarilla o amarilla	<ul style="list-style-type: none"> La calidad de combustión de las llamas del quemador debe determinarse visualmente. Consulte la sección "Calidad de las llamas" de las instrucciones de instalación para obtener más información.
Llamas del quemador muy grandes o amarillas	<ul style="list-style-type: none"> El gas LP está mal conectado. El bulbo capilar del termostato debe estar limpio y sin obstrucciones. La ventilación del horno está bloqueada. Control del horno configurado incorrectamente. Se está utilizando un tamaño incorrecto de utensilios de cocina.
Fuerte olor	<ul style="list-style-type: none"> Relación inadecuada de aire a gas en el horno. El olor del aislamiento alrededor del forro del horno es normal las primeras veces que se usa el horno.
Los quemadores de superficie se encienden pero el horno no	<ul style="list-style-type: none"> La válvula de cierre del gas del horno puede haber sido movida accidentalmente durante la limpieza o el movimiento. Levante la parte superior de la cocina y busque la palanca de corte de gas en la esquina trasera izquierda. Asegúrese de que la palanca esté en la posición abierta.
La luz del horno no funciona	<ul style="list-style-type: none"> La bombilla está suelta El interruptor de luz no funciona correctamente

GARANTÍA LIMITADA "A DOMICILIO"

Este producto de calidad está garantizado contra defectos de fabricación, incluyendo partes y mano de obra, siempre y cuando la unidad se utilice bajo las condiciones normales de funcionamiento para las que fue diseñado. Esta garantía está solamente disponible para la persona que haya comprado originalmente esta unidad directamente de Danby Products Limited (Canada) o Danby Products Inc. (U.S.A.) (en adelante "Danby") o uno de sus distribuidores autorizados, y no es transferible.

CONDICIONES DE LA GARANTÍA

Las piezas plásticas, se autorizan por treinta (30) días solamente a partir de la fecha de la compra, sin las extensiones proporcionadas.

Primeros 12 meses Durante los primeros **doce (12) meses**, cualquier parte en buen estado de este producto que resulte defectuosa, incluyendo cualquier sistema sellado, será reparado o reemplazado, a opción del fabricante, sin cargo para el comprador ORIGINAL.

Para obtener servicio Comuníquese con el distribuidor donde haya comprado la unidad, o llame al Taller de Servicio Autorizado más cercano, donde debe ser reparada por un técnico calificado. Si esta unidad es reparada en otro lugar que no sea un Taller de Servicio Autorizado, o si la unidad se utiliza para aplicaciones comerciales, Danby no se hará responsable de ninguna forma y la garantía será anulada.

Límites del servicio técnico a domicilio Danby se reserva el derecho de limitar la cobertura de "Servicio en Domicilio" sujeto a la proximidad de un **Taller de Servicio Autorizado**. Para todo artefacto que requiera servicio fuera del área limitada de "Servicio en Domicilio", el cliente será responsable por transportar dicho artefacto hasta el Taller de Servicio Autorizado más cercano. Si el electrodoméstico está instalado en un lugar que se encuentra a **100 kilómetros (62 millas)** o más del centro de servicios más cercano, se debe llevar la unidad al Centro de servicios Danby autorizado más cercano, ya que dicho servicio sólo puede realizarlo un técnico calificado y certificado por Danby para prestar servicios de garantía.

Los cargos por transporte desde y hacia el lugar en que se efectúe el servicio técnico no están cubiertos por esta garantía y son de responsabilidad del comprador.

Nada dentro de esta garantía implica que Danby será responsable por cualquier daño que hayan sufrido los alimentos u otros contenidos de este aparato, ya sea debido a un defecto del aparato, o su uso, adecuado o inadecuado.

EXCLUSIONES

Salvo lo aquí indicado por Danby, no existen otras garantías, condiciones o representaciones, explícitas o implícitas, concretas o intencionales por parte de Danby o sus distribuidores autorizados y todas las demás garantías, condiciones o representaciones, incluyendo cualquier garantía, condiciones o representaciones bajo cualquier Acta de Venta de Productos o legislación o estatuto similar, quedan de esta forma expresamente excluidas. **Salvo lo aquí indicado, Danby no serán responsables por ningún daño a personas o bienes, incluyendo la propia unidad, sin importar su causa, o de ningún daño indirecto causado por el desperfecto de la unidad, y al comprar esta unidad, el comprador acepta por la presente, indemnizar y proteger a Danby contra cualquier reclamo por daños a personas o bienes causados por la unidad.**

CONDICIONES GENERALES

No se considerará ninguna de estas garantías o seguros cuando el daño o la necesidad de reparación sea el producto de los siguientes casos:

- 1) Falla del suministro eléctrico.
- 2) Daños en tránsito o durante el transporte de la unidad.
- 3) Alimentación incorrecta, como bajo voltaje, instalación eléctrica defectuosa o fusibles inadecuados.
- 4) Accidente, modificación, abuso o uso incorrecto del artefacto, tal como insuficiente ventilación del ambiente o condiciones de operación anormales (temperatura ambiente extremadamente alta o baja).
- 5) Utilización comercial o industrial (v.g., si el electrodoméstico no está instalado en una vivienda particular).
- 6) Incendio, daños por agua, robo, guerra, disturbios, hostilidades, actos de fuerza mayor como huracanes, inundaciones, etc.
- 7) Pedidos de servicio debido a desinformación del usuario.
- 8) Instalación inadecuada (v.g., instalación empotrada de un electrodoméstico diseñado como unidad independiente o uso de un electrodoméstico al aire libre que no esté aprobado para dicho fin, incluyendo pero no limitado a: garajes, patios, porches o en cualquier lugar que no esté bien aislado o controlado por el clima).

Se requerirá una prueba de la fecha de compra para reclamaciones de garantía; Retener las facturas de venta. En el caso de que se requiera servicio de garantía, presente el comprobante de compra a nuestro depósito de servicio autorizado.

Servicio de Garantía
Servicio en Domicilio

Danby Products Limited
PO Box 1778, Guelph, Ontario, Canada N1H 6Z9
Telephone: (519) 837-0920 FAX: (519) 837-0449

1-800-263-2629
04/17

Danby Products Inc.
PO Box 669, Findlay, Ohio, U.S.A. 45840
Telephone: (419) 425-8627 FAX: (419) 425-8629

NOTES:

Lined area for notes, consisting of multiple horizontal lines.



MODEL • MODELO

DR202WGLP
DR202BGLP
DR202BSSGLP