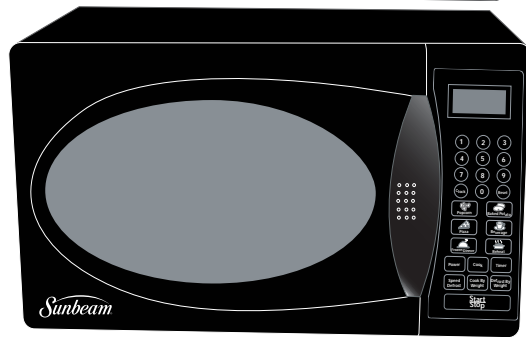
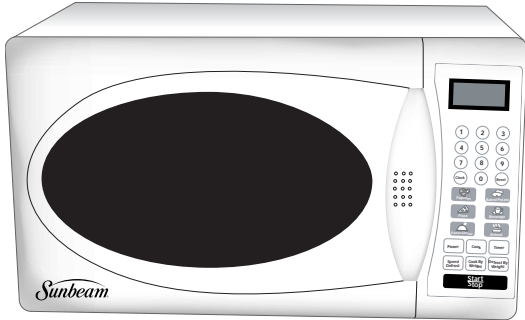




Owner's Use and Care Guide Guide d'utilisation et soins de Propriétaire

Model • Modèle
SBMW1109W/BL



CAUTION:
Read and follow all safety rules and operating instructions before first use of this product.

MISE EN GARDE:
Veuillez lire attentivement les consignes de sécurité et les instructions d'utilisation avant l'utilisation initial de ce produit.

MICROWAVE OVEN Owner's Use and Care Guide

- Important Safety Information
- Operation
- Operating Instructions
- Care and Maintenance
- Warranty

..... **1 - 10**

FOUR À MICRO-ONDES Guide d'utilisation et soins de Propriétaire

- Consignes de Sécurité Importantes
- Opération
- Consignes d'Utilisation
- Soins et Entretien
- Garantie

..... **11 - 20**

IMPORTANT SAFETY INFORMATION

READ ALL SAFETY INFORMATION BEFORE USING **PRECAUTIONS TO AVOID POSSIBLE EXPOSURE TO** **EXCESSIVE MICROWAVE ENERGY**

For your safety the information in this manual must be followed to minimize the risk of fire or explosion or to prevent property damage, personal injury or loss of life.

Do Not Attempt to operate this oven with the door open since open-door operation can result in harmful exposure to microwave energy. It is important not to defeat or tamper with the safety interlocks.

Do Not Place any object between the oven front face and the door or allow soil or cleaner residue to accumulate on sealing surfaces.

Do Not Operate the oven if it is damaged. It is particularly important that the oven door close properly and that there is no damage to the:

- 1) door (bent),
- 2) hinges and latches (broken or loosened),
- 3) door seals and sealing surfaces.

The Microwave Oven Should Not be adjusted or repaired by anyone except properly qualified service personnel.

FEDERAL COMMUNICATIONS COMMISSION RADIO FREQUENCY **INTERFERENCE STATEMENT (U.S.A. ONLY)**

This equipment generates and uses ISM frequencies and if not installed and used properly, that is in strict accordance with the manufacturer's instructions, may cause interference to radio and television reception. It has been type-tested and found to comply with limits for ISM Equipment pursuant to Part 18 of FCC Rules, which are designed to provide reasonable protection against such interference in a residential installation.

However, there is no guarantee that interference will not occur in particular installations. If this equipment does cause interference to radio or television reception, which can be determined by turning the equipment off and on, the user is encouraged to try to correct the interference by one or more of the following:

- Reorient the receiving antenna of radio or television.
- Relocate the microwave oven with respect to the receiver.
- Move the microwave oven away from the receiver.
- Plug the microwave into a different outlet so that microwave and receiver are on different branch circuits.

The Manufacturer is not responsible for any radio or TV interference caused by **UNAUTHORIZED MODIFICATION** to this microwave oven. It is the responsibility of the user to correct such interference.

SAVE THESE INSTRUCTIONS



IMPORTANT SAFETY INFORMATION (cont'd)

WARNING

To reduce the risk of fire, burns, electric shock, injury to persons or exposure of excessive microwave energy when using your appliance, follow basic precautions, including the following sections.

SAFETY PRECAUTIONS

- Read and follow the specific “Precautions to Avoid Possible Exposure to Excessive Microwave Energy” on page 1.
 - This appliance must be grounded. Connect only to a properly grounded outlet. See “Grounding Instructions” section on page 4.
 - Do not operate this appliance if it has a damaged power cord or plug, if it is not working properly, or if it has been damaged or dropped.
 - Do not cover or block any openings on the appliance.
 - Use this appliance only for its intended use as described in this manual. Do not use corrosive chemicals or vapors in this appliance.
 - This microwave oven is specifically designed to heat, dry or cook food, and is not intended for laboratory or industrial use.
 - Some products such as whole eggs and sealed containers – for example, closed glass jars- may explode and should not be heated in this oven.
 - Do not store this appliance outdoors.
 - Do not use this product near water-for example, in a wet basement, near a swimming pool or near a sink.
 - Keep power cord away from heated surfaces.
 - Do not immerse power cord or plug in water.
 - See door surface cleaning instructions in the Care and Maintenance section(s) of this manual.
 - This appliance should be serviced only by qualified service personnel. Contact nearest authorized service facility for examination, repair or adjustment.
 - As with any appliance, close supervision is necessary when used by children.
- To reduce the risk of fire in the oven cavity:**
- Do not overcook food.
 - Carefully attend appliance if paper, plastic or other combustible materials are placed inside the oven while cooking.
 - Remove wire twist-ties and metal handles from paper or plastic containers before placing them in the oven.
 - Do not use the oven for storage purposes. Do not leave paper products, cooking utensils or food in the oven when not in use.
 - Do not use the microwave to dry newspapers.
 - If materials inside oven should ignite, keep the oven door closed, turn the oven off and disconnect the power at the fuse or circuit breaker panel. If the door is opened, the fire may spread.

IMPORTANT SAFETY INFORMATION (cont'd)

SPECIAL NOTES ABOUT MICROWAVING

ARCING

If you see arcing, press the “START/STOP” button and correct the problem.

Arcing is the microwave term for sparks in the oven. Arcing is caused by:

- Metal or foil touching the side of the oven.
- Foil not molded to food (upturned edges act like antennae).

- Metal, such as twist-ties, poultry pins, or gold-rimmed dishes, in the microwave.

- Recycled paper towels containing small metal pieces being used in the microwave.

FOODS

- Only cook popcorn in your microwave oven using a special microwave popcorn accessory dish, unless you use popcorn labeled for use in microwave ovens.

- Some products- such as whole eggs (with shell), sealed containers, and closed jars - will explode and should not be heated in this microwave oven. Heating these products in the microwave oven could result in injury.

- Do not boil eggs in a microwave oven. Pressure will build up inside egg yolk and will cause it to

burst, possibly resulting in injury.

- Operating the microwave with no food inside for more than a minute or two may cause damage to the oven and could start a fire. It increases the heat around the magnetron and can shorten the life of the oven.

- Foods with unbroken outer “skin” such as potatoes, hot dogs, sausages, tomatoes, apples, chicken livers and other giblets, and egg yolks should be pierced to allow steam to escape before cooking.

SAFETY FACT: SUPERHEATED WATER

Microwaved water and other liquids do not always bubble when they reach the boiling point; they can actually get superheated and not bubble at all. Superheated liquid can bubble up when it is moved or when something like a spoon or tea bag is put into it. To prevent this from happening and causing injury, do not heat any liquid for more than 2 minutes per cup. After heating, let the cup stand in the microwave for 30 seconds before moving it or putting anything into it. • Avoid heating baby food in glass jars, even with the lid off. Make sure all infant food is thoroughly cooked. Stir food to distribute the heat evenly. Be careful to prevent scalding when warming formula. The container may feel cooler than the milk really is. **Always test the milk before feeding the baby.**

- Spontaneous boiling- Under certain circumstances, liquids may start to boil during or shortly after removal from the microwave oven. To prevent burns from splashing liquid, we recommend the following:

Before removing the container from the oven, allow the container to stand in the the oven for 30 to 40 seconds after the oven has shut off. Do not boil liquids in narrow-necked containers such as soft drink bottles, wine flasks and especially narrow-necked

coffee cups. Even if the container is opened, excessive steam can build up and cause it to burst or overflow.

- Don't defrost frozen beverages in narrow-necked bottles (especially carbonated beverages). Even if the container is opened, pressure can build up. This can cause the container to burst, possibly resulting in injury.

- Hot foods and steam can cause burns. Be careful when opening any containers of hot food, including popcorn bags, cooking pouches and boxes. To prevent possible injury, direct steam away from hands and face.

- Do not overcook potatoes. They could dehydrate and catch fire, causing damage to your oven.

- Cook meat and poultry thoroughly- meat to at least an INTERNAL temperature of 160°F (71.1°C), and poultry to at least an INTERNAL temperature of 180°F (82.2°C). Cooking to these temperatures usually protects against food borne illness.

IMPORTANT SAFETY INFORMATION (cont'd)

MICROWAVE-SAFE COOKWARE

SPECIAL NOTES ABOUT MICROWAVING

Make sure all cookware used in your microwave oven is suitable for microwaving. Most glass casserole, cooking dishes, measuring cups, custard cups, pottery or china dinnerware which do not have metallic trim or glaze with a metallic sheen can be used. Some cookware will be labeled "suitable for microwaving".

- If you use a meat thermometer while cooking, make sure it is safe for use in microwave ovens.
- Do not use recycled paper products. Recycled paper towels, napkins, and waxed paper can contain metal flecks which may cause arcing or ignite. Paper products containing nylon or nylon filament should be avoided, as they may also ignite.
- Not all plastic wrap is suitable for use in microwave ovens. Check the package for proper use.
- Some styrofoam trays (like those that meat is packaged on) have a thin strip of metal embedded in the bottom. When microwaved, the metal can burn the floor of the oven, or ignite a paper towel.
- Cookware may become hot because of heat transferred from the heated food. Pot holders may be needed to handle the cookware.
- "Boilable" cooking pouches and tightly closed plastic bags should be slit, pierced, or vented as directed by package. If they are not, plastic could burst during or immediately after cooking, possibly resulting in injury. Also, plastic storage containers should be at least partially uncovered because they form a tight seal. When cooking with containers tightly covered with plastic wrap, remove covering carefully and direct steam away from hands and face.

• Paper towels, waxed paper, and plastic wrap can be used to cover dishes in order to retain moisture and prevent splattering. Be sure to vent plastic wrap so steam can escape.

How to test for a microwave-safe dish:

- 1) Place in the oven both the dish you are testing and a glass measuring cup filled with 1 cup of water.
- 2) Set the measuring cup either in or next to the dish.
- 3) Microwave 1 minute on high power.

If the dish heats, it should not be used for microwaving. If the dish remains cool and only the water in the cup heats, then the dish is microwave-safe.

• Use foil only as directed in this manual. TV dinners may be microwaved in foil trays less than 3/4" high; remove the top foil cover and return the tray to the box. When using foil in the microwave, keep the foil at least 1 inch away from the sides of the oven.

• Plastic cookware designed for microwave cooking is very useful, but should be used carefully. Even microwave-safe plastic may not be as tolerant of overcooking conditions as are glass and ceramic materials, and may soften or char if subjected to short periods of over-cooking. In longer exposure to over-cooking, the food and cookware could ignite.

Follow these guidelines:

- 1) Use Microwave-safe plastics only and use them in strict compliance with the cookware manufacturer's recommendations.
- 2) Do not microwave empty containers.
- 3) Do not permit children to use plastic cookware without complete supervision.

GROUNDING INSTRUCTIONS

WARNING: Improper use of the grounding plug can result in a risk of electric shock.

This appliance must be grounded. In the event of an electrical short circuit, grounding reduces the risk of electric shock by providing an escape wire for the electric current. This appliance is equipped with a power cord having a grounding wire with a grounding plug. The plug must be plugged into an outlet that is properly installed and grounded.

Consult a qualified electrician or service technician if the grounding instructions are not completely understood, or if doubt exists as to whether the appliance is properly grounded. If the outlet is a standard 2-prong wall outlet, it is your personal responsibility and obligation to have it replaced with a properly grounded 3-prong wall outlet.

DO NOT under any circumstances cut or remove the third (ground) prong from the power cord.

DO NOT use an adapter plug with this appliance.

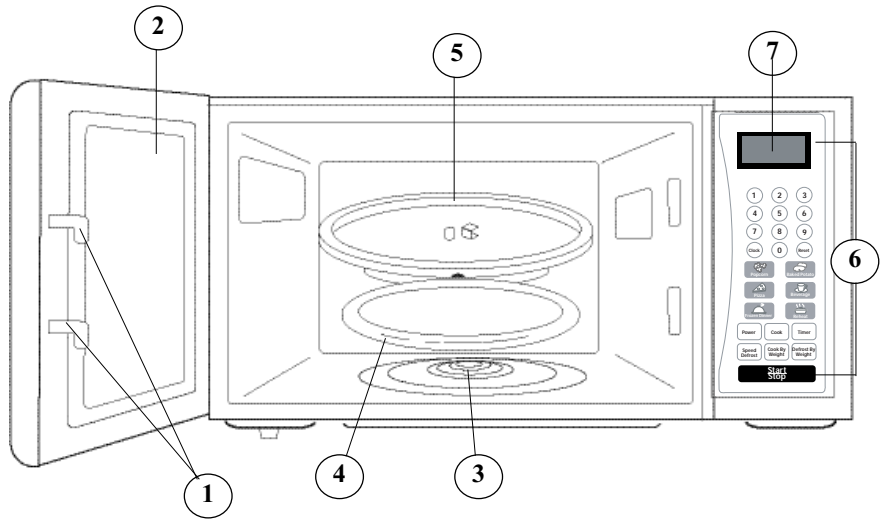
DO NOT use an extension cord with this appliance. If the power cord is too short, have a qualified electrician or service technician install an outlet near the appliance.

For best operation, plug this appliance into its own electrical outlet to prevent flickering of lights, blowing of fuse, or tripping of circuit breaker.

OPERATION

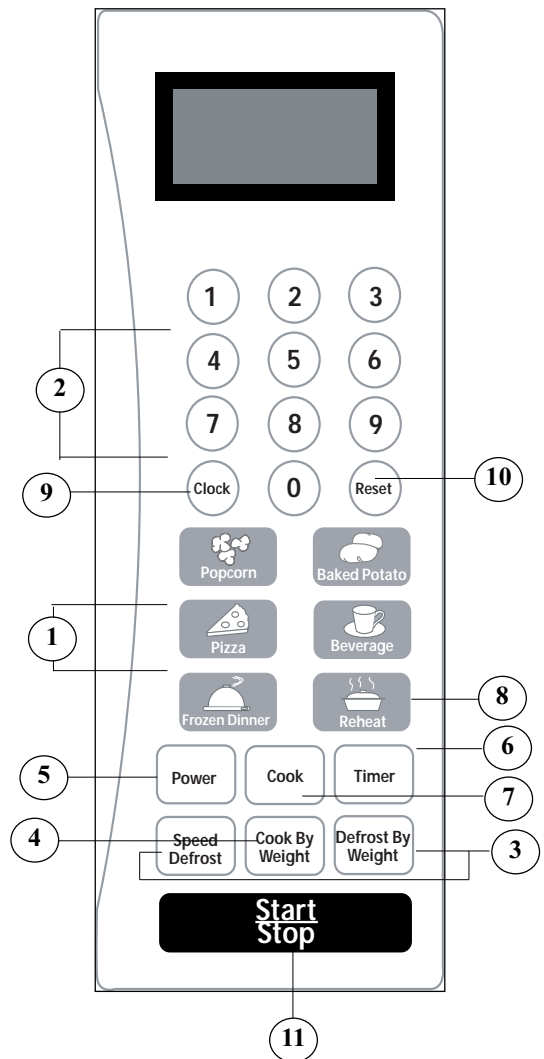
FEATURES OF YOUR MICROWAVE

- 1) **Door Safety Lock System.**
- 2) **Oven Window:** Screen allows cooking to be viewed while keeping microwave energy confined in oven.
- 3) **Turntable Shaft**
- 4) **Roller Ring**
- 5) **Removable Glass Turntable:** Turntable and support must be in place when using the oven. The turntable may be removed for cleaning.
- 6) **Control Panel**
- 7) **Electronic Display**



CONTROLS

- 1) **QUICK COOK Buttons:** Instant settings to cook popular foods.
- 2) **Number Pad (0-9):** Touch to set times or weights.
- 3) **DEFROST Buttons:**
 - a) **DEFROST BY WEIGHT:** Programmed defrosting based on the weight of the foods to be defrosted.
 - b) **SPEED DEFROST:** Quick defrost function that alternates defrost and stand times to quickly and effectively defrost foods.
- 4) **COOK BY WEIGHT:** Programmed cooking based on the weight of the foods to be cooked.
- 5) **POWER:** Use to set power level. To check power level during time cooking, touch POWER LEVEL pad.
- 6) **TIMER:** Timer functions independently, even while a cooking program is in process.
- 7) **COOK:** Use for multi-stage cooking. Enables cooking at multiple power and time settings automatically.
- 8) **REHEAT:** Automatically programs oven to heat a plate of food evenly. Touch REHEAT pad, then START/STOP.
- 9) **CLOCK:** Use to set the time of day or recall the time of day.
- 10) **RESET:** Clears all previous settings.
- 11) **START/STOP:** Touch to start or stop cooking.



OPERATING INSTRUCTIONS

CHILD LOCK

The safety lock prevents unsupervised operation by children.
To set, press and hold CANCEL for 3 seconds. LOCK is indicated on the display.
To cancel, press and hold CANCEL for 3 seconds. LOCK indication disappears.

SETTING THE CLOCK

- 1) Touch CLOCK pad.
- 2) Use the number pads to enter the correct time. You must touch at least three numbers to set the clock (one for hour and two for minutes).
- 3) Touch CLOCK pad again.

NOTES:

- This is a 12 hour clock. When the oven is first plugged in or when power resumes after a power interruption, the display will show ENTER CLOCK TIME. If you prefer to not have the clock displayed, touch CANCEL.

- You can check the clock time while cooking is in progress by touching the CLOCK pad.

SETTING THE TIMER

- 1) Touch TIMER.
- 2) Enter the amount of time by touching the number pads. Digit time is in minutes and seconds and set left to right. Set one digit (a 5 for 5 seconds) or up to four digits (2405 for 24 minutes, 5 seconds).
- 3) Touch START/STOP.

NOTES:

- Time countdown can be seen in display for 3 seconds before clock or cooking time is returned to display.

- Touch TIMER and then touch CANCEL to cancel TIMER during timing process.

COOKING PROGRAMS

A) ONE-STAGE COOKING

- 1) Use the number pads to set a cooking time. You can set a cooking time from one second to 99 minutes and 99 seconds.
- 2) If you want to set a power level other than 100% power, touch POWER, then...
- 3) Use the number pads to enter the power level. You can set the power level from 1 to 9.
- 4) Touch START/STOP to start cooking.
Use single digits to set a cooking power level:

# Pad	% of Power
1	10%
2	20%
3	30%
4	40%
5	50%
6	60%
7	70%
8	80%
9	90%
10	100%

B) TWO-STAGE COOKING

Some recipes require different stages of cooking at different temperatures.

1) SET STAGE 1:

Follow steps 1 and 2 in "One-stage Cooking". DO NOT TOUCH START

2) SET STAGE 2:

Touch COOK then enter proper cooking time and (lower) power level. (Most 2-stage recipes use lower power for second stage.)

3) Touch START/STOP.

NOTES:

- After stage 1 time has elapsed, one signal sounds, signaling the beginning of stage 2.

- After total time has elapsed, 4 signals sound and END appears in display. Touch CANCEL or open oven door to clear END before starting another cooking function.

OPERATING INSTRUCTIONS (cont'd)

SPEED DEFROST

- 1) Touch SPEED DEFROST.
- 2) Enter desired defrosting time by touching correct number pads. Digital timer sets minutes and seconds from left to right so a single digit can be set (5 for 5 seconds) or up to 4 digits (2405 for 24 minutes 5 seconds).
- 3) Touch START/STOP.

NOTES:

- After time has elapsed four signals sound and END appears in display. Touch CANCEL pad or open the door to clear END before starting another cooking function.

- After setting SPEED DEFROST, oven can be programmed to automatically switch to one or two-stage cooking.

- For speed defrost and one stage cooking, follow steps above. Before touching START/STOP, touch COOK, enter time and power level and then touch START/STOP.

- For speed defrost and two stage cooking, follow steps above. Before touching START/STOP, enter two-stage cooking programs.

COOK BY WEIGHT

- 1) Touch COOK BY WEIGHT.
- 2) Enter the one digit code by touching the correct number pad.
- 3) Enter weight.
- 4) Touch START/STOP.

CODE	TYPE	MAX WEIGHT
1	Beef	5 lb. 16 oz.
2	Chicken	5 lb. 16 oz.
3	Pork	5 lb. 4 oz.

NOTE:

- Meat must be defrosted and at refrigerated temperature.
- Weight must be in pounds and ounces.
- Ounce weights less than 10 must be preceded by a 0. If label gives weight in pounds only, change the fraction of a pound to ounces using the chart to the right.
- During cooking, the system will pause automatically and sound to remind user to turn meat over. After that, touch START/STOP to resume cooking.
- After total cooking time, 4 signals sound and END appears in display. Touch CANCEL or open oven door to clear END before starting another cooking function.
- Let meat stand few minutes before carving.

Food (lb)	Oz.
under .03	0
.03 to .09	1
.10 to .15	2
.16 to .21	3
.22 to .27	4
.29 to .34	5
.35 to .40	6
.41 to .46	7
.47 to .53	8
.54 to .59	9
.60 to .65	10
.66 to .71	11
.72 to .77	12
.78 to .83	13
.84 to .90	14
.91 to .97	15
.98 to 1.0	16

DEFROST BY WEIGHT

- 1) Touch DEFROST BY WEIGHT pad.
- 2) Enter weight.
- 3) Touch START/STOP pad.

NOTES:

- Weight must be in pounds and ounces. Ounce weights less than 10 must be preceded by a 0. If label gives weight in pounds only, change the fraction of a

pound to ounces using the chart given above.

- Turn food over when oven signals twice. Touch START/STOP pad to resume defrosting.

- After total defrosting time, 4 signals sound and END appears in display. Touch RESET or open oven door to clear END before starting another cooking function.

OPERATING INSTRUCTIONS (cont'd)

QUICK COOK SETTINGS

The QUICK COOK settings allow you to cook or reheat food automatically without entering power level or time. For smaller portions, simply touch the applicable pad and START/STOP. For larger portions, push the pad twice. FROZEN DINNER, BAKED POTATO and BEVERAGE allow you to cook multiple amounts of the same food. Simply touch pad once, and ENTER AMT appears in the display. Enter the amount of servings and start.

SETTING "POPCORN":

1) Touch POPCORN pad. POPCORN automatically sets the cooking time for a 3 to 3-1/2 oz. bag of microwave popcorn.

2) Touch START/STOP pad.

NOTE:

•To reset POPCORN time:
Touch POPCORN pad twice. ENTER TIME appears in display. Touch number pads to enter minutes and seconds. Touch START/STOP pad. This new cooking time will remain whenever you touch the POPCORN pad until you reset it.

SETTING "BAKED POTATO":

For potatoes (4 to 6 oz. each):

1) Touch BAKED POTATO pad once.

2) Enter number of potatoes by touching number pads from 1 to 4.

3) Touch START/STOP pad.

For large potatoes (8 to 10 oz. each):

1) Touch BAKED POTATO pad twice.

2) Enter number of potatoes by touching number pads from 1 to 4.

3) Touch START/STOP pad.

SETTING "PIZZA":

Reheating a slice (or two thin ones) of leftover pizza:

1) Touch PIZZA pad once.

2) Touch START/STOP pad.

Heating a whole pizza:

1) Touch PIZZA pad twice.

2) Touch START/STOP pad.

SETTING "BEVERAGE":

For coffee cups (5 to 7 oz. each):

1) Touch BEVERAGE pad once.

2) Enter number of cups by touching number pads from 1 to 4.

3) Touch START/STOP pad.

For larger coffee mugs (9 to 11 oz. each):

1) Touch BEVERAGE pad twice.

2) Enter number of mugs by touching number pads from 1 to 4.

3) Touch START/STOP pad.

SETTING "FROZEN DINNER":

Microwaving one or two small (7-9 oz. each) frozen dinner(s):

1) Touch FROZEN DINNER pad once.

2) Touch "1" or "2" to select 1 entree or 2 entrees.

3) Touch START/STOP pad.

Microwaving large (10-12 oz. each) frozen dinner(s):

1) Touch FROZEN DINNER pad twice.

2) Touch "1" or "2" to select 1 entree or 2 entrees.

3) Touch START/STOP pad.

REHEAT:

1) Touch REHEAT pad.

2) Touch START/STOP.

CARE AND MAINTENANCE

- 1) Turn off the oven and remove the power plug from the wall socket before cleaning.
- 2) Keep the inside of the oven clean. When food splatters or spilled liquids adhere to oven walls, wipe with a damp cloth. Mild detergent may be used if the oven gets very dirty. Avoid the use of spray and other harsh cleaners as they may stain, streak or dull the door surface.
- 3) The outside surfaces should be cleaned with a damp cloth. To prevent damage to the operating parts inside the oven, water should not be allowed to seep into the ventilation openings.
- 4) Wipe the window on both sides with a damp cloth to remove any spills or splatters.
- 5) Do not allow the control panel to become wet. Clean with a soft, damp cloth. When cleaning the control panel, leave oven door open to prevent oven from accidentally turning on.
- 6) If steam accumulates inside or around the outside of the oven door, wipe with a soft cloth. This may occur when the microwave oven is operated under high humidity conditions, this is normal.
- 7) It is occasionally necessary to remove the glass tray for cleaning. Wash the tray in warm sudsy water or in a dishwasher.
- 8) The roller ring and oven floor should be cleaned regularly to avoid excessive noise. Simply wipe the bottom surface of the oven with mild detergent. The roller ring may be washed in mild sudsy water or dishwasher. When removing the roller ring from cavity floor for cleaning, be sure to replace in the proper position.
- 9) Remove odors from your oven by combining a cup of water with the juice and skin of one lemon in a deep bowl, microwave for 5 minutes. Wipe thoroughly and dry with a soft cloth.
- 10) When it becomes necessary to replace the oven light, please consult a dealer to have it replaced.
- 11) The oven should be cleaned regularly and any food deposits removed. Failure to maintain the oven in a clean condition could lead to deterioration of the surface that could adversely affect the life of the appliance and possibly result in a hazardous situation.
- 12) Please dispose of this appliance in accordance with local rules and regulations, such as bringing the appliance to the particular disposal center provided by your municipality.

THINGS THAT ARE NORMAL:

- Steam or vapor escaping from around the door.
- Light reflection around door/outer case.
- Dimming oven light and change in sound at power levels other than high.
- Dull thumping sound while oven is operating.
- TV-radio interference might occur during use- this does not indicate a problem with the microwave. Plug microwave into a different circuit, move radio or TV away from microwave, or check position and signal of TV/radio antenna.



LIMITED APPLIANCE WARRANTY

This quality product is warranted to be free from manufacturer's defects in material and workmanship, provided that the unit is used under the normal operating conditions intended by the manufacturer.

This warranty is available only to the person to whom the unit was originally sold by Danby Products Limited (Canada) or Danby Products Inc. (U.S.A.) (hereafter "Danby") or by an authorized distributor of Danby, and is non-transferable.

TERMS OF WARRANTY

Plastic parts, are warranted for thirty (30) days only from purchase date, with no extensions provided.

First Year During the first twelve (12) months, any functional parts of this product found to be defective, will be repaired or replaced, at warrantor's option, at no charge to the ORIGINAL purchaser.

To obtain Service It will be the consumer's responsibility to transport the appliance (at their own expense) to the original retailer (point of purchase) or a service depot for repair. Contact your dealer from whom your unit was purchased, or contact your nearest authorized Danby service depot, where service must be performed by a qualified service technician.
If service is performed on the units by anyone other than an authorized service depot, or the unit is used for commercial application, all obligations of Danby under this warranty shall be void.

Nothing within this warranty shall imply that Danby will be responsible or liable for any spoilage or damage to food or other contents of this appliance, whether due to any defect of the appliance, or its use, whether proper or improper.

EXCLUSIONS

Save as herein provided, Danby, there are no other warranties, conditions, representations or guarantees, express or implied, made or intended by Danby or its authorized distributors and all other warranties, conditions, representations or guarantees, including any warranties, conditions, representations or guarantees under any Sale of Goods Act or like legislation or statute is hereby expressly excluded. Save as herein provided, Danby shall not be responsible for any damages to persons or property, including the unit itself, howsoever caused or any consequential damages arising from the malfunction of the unit and by the purchase of the unit, the purchaser does hereby agree to indemnify and hold harmless Danby from any claim for damages to persons or property caused by the unit.

GENERAL PROVISIONS

No warranty or insurance herein contained or set out shall apply when damage or repair is caused by any of the following:

- 1) Power failure.
- 2) Damage in transit or when moving the appliance.
- 3) Improper power supply such as low voltage, defective house wiring or inadequate fuses.
- 4) Accident, alteration, abuse or misuse of the appliance such as inadequate air circulation in the room or abnormal operating conditions (extremely high or low room temperature).
- 5) Use for commercial or industrial purposes (ie. If the appliance is not installed in a domestic residence).
- 6) Fire, water damage, theft, war, riot, hostility, acts of God such as hurricanes, floods etc.
- 7) Service calls resulting in customer education.
- 8) Improper Installation (ie. Building-in of a free standing appliance or using an appliance outdoors that is not approved for outdoor application).

Proof of purchase date will be required for warranty claims; so, please retain bills of sale. In the event warranty service is required, present this document to our AUTHORIZED SERVICE DEPOT.

Danby Products Limited
PO Box 1778, Guelph, Ontario, Canada N1H 6Z9
Telephone: (519) 837-0920 FAX: (519) 837-0449

1-866-726-1150

DNB052809
04/09

Danby Products Inc.
PO Box 669, Findlay, Ohio, U.S.A. 45840
Telephone: (419) 425-8627 FAX: (419) 425-8629

CONSIGNES DE SÉCURITÉ IMPORTANTES

LISEZ TOUTES LES CONSIGNES DE SÉCURITÉ AVANT L'UTILISATION

PRÉCAUTIONS À PRENDRE, AFIN D'ÉVITER UNE EXPOSITION EXCESSIVE À L'ÉNERGIE MICRO-ONDE

Afin d'assurer votre sécurité, les consignes de ce guide doivent être suivies afin de réduire les risques d'incendie ou d'explosion, de dommages à la propriété, de blessure ou de décès.

Ne faites pas fonctionner ce four la porte ouverte : un tel fonctionnement peut entraîner une exposition dangereuse à l'énergie micro-onde. Il est important de ne pas contourner ou altérer le verrouillage de sécurité.

Ne déposez pas d'objet entre la face du four et la porte. Ne laissez pas la saleté ou les résidus de produits nettoyants s'accumuler sur les surfaces d'étanchéité.

Ne faites pas fonctionner le four s'il est endommagé. Il est très important que la porte du four se ferme bien et que les éléments suivants ne soient pas endommagés :

- 1) porte (courbée);
- 2) charnières et loquets (brisés ou lâches);
- 3) surface d'étanchéité et porte étanche.

Le four à micro-ondes doit être réglé ou réparé par un technicien qualifié.

DÉCLARATION QUANT AUX INTERFÉRENCES DE FRÉQUENCE RADIO DE LA COMMISSION FÉDÉRALE DES COMMUNICATIONS (É.-U. SEULEMENT)

Cet équipement génère et utilise des fréquences sur bande ISM. S'il n'est pas installé et utilisé correctement, c'est-à-dire selon les directives du fabricant, ces fréquences peuvent entraîner des interférences dans les réceptions radiophoniques et télévisuelles. Cet équipement a été mis à l'essai et déclaré conforme aux limitations de l'équipement ISM énoncées à l'article 18 de la réglementation de la Commission, dont le but est d'offrir une protection raisonnable contre de telles interférences dans les installations résidentielles.

Il n'existe cependant aucune garantie que des interférences ne surviendront pas dans des installations particulières. Si cet équipement entraîne des interférences dans les réceptions radiophonique et télévisuelle, ce qui peut être déterminé en allumant et en éteignant l'équipement, l'utilisateur devrait tenter de corriger l'interférence en posant un ou plusieurs des gestes suivants :

- réorienter l'antenne réceptrice de la radio ou de la télévision;
- déplacer le four à micro-ondes par rapport au récepteur;
- éloigner le four à micro-ondes du récepteur;
- brancher le four à micro-ondes dans une prise différente afin qu'il ne se trouve pas sur le même circuit que le récepteur.

Le fabricant n'est pas responsable des interférences radiophoniques ou télévisuelles causées par une **MODIFICATION NON AUTORISÉE** à ce four à micro-ondes. L'utilisateur est responsable de la correction de telles interférences.

CONSERVEZ CES INSTRUCTIONS

CONSIGNES DE SÉCURITÉ IMPORTANTES (suite)

AVERTISSEMENT

Afin de réduire le risque d'incendie, brûlure, choc électrique, blessure ou exposition excessive à l'énergie micro-onde pendant l'utilisation de votre appareil, prenez des précautions de base, incluant celles énoncées dans les sections qui suivent.

CONSIGNES DE SÉCURITÉ

- Lisez et respectez les «Précautions à prendre afin d'éviter une exposition excessive à l'énergie micro-onde», à la page 11.
 - Cet appareil doit être mis à la terre. Ne le branchez que sur une prise correctement mise à la terre. Consultez la section « Directives de mise à la terre », à la page 14.
 - N'utilisez pas cet appareil si son cordon ou sa fiche d'alimentation sont endommagés, s'il ne fonctionne pas correctement ou s'il a été échappé ou endommagé.
 - Ne couvrez ni ne bloquez aucune ouverture de l'appareil.
 - Utilisez cet appareil à ce pour quoi il a été conçu, tel que décrit dans ce guide. N'utilisez pas de vapeurs ou de produits chimiques corrosifs dans cet appareil.
 - Ce four à micro-ondes est spécialement conçu pour chauffer, sécher ou cuire des aliments. Il n'est pas conçu pour une utilisation industrielle ou en laboratoire.
 - Certains produits tels les œufs entiers et les contenants hermétiques tels les pots de verre fermés peuvent exploser et ne devraient pas être chauffés dans ce four.
 - Ne rangez pas cet appareil à l'extérieur.
 - N'utilisez pas ce produit près d'une source d'eau, tel un sous-sol humide, une piscine ou un évier.
 - Éloignez le cordon d'alimentation de toute surface chauffée.
 - N'immergez pas le cordon d'alimentation ou la fiche.
 - Consultez les directives de nettoyage de la surface de la porte aux sections «Entretien et nettoyage » de ce guide.
 - Toute réparation doit être effectuée par un personnel qualifié seulement. Contactez le centre de service autorisé le plus près pour vérification, réparation ou réglage.
 - Comme c'est le cas de tout appareil, une surveillance étroite est nécessaire lors de l'utilisation par des enfants.
- Pour réduire le risque d'incendie dans l'enceinte du four :**
- Ne cuisez pas trop les aliments.
 - Surveillez étroitement l'appareil pendant la cuisson si du papier, plastique ou autre matériau combustible sont placés dans le four.
 - Retirez les attaches et les poignées métalliques des contenants de plastique avant de les placer dans le four.
 - N'utilisez pas le four comme espace de rangement. Ne laissez pas de papier, ustensiles ou aliments dans le four lorsqu'il n'est pas utilisé.
 - N'utilisez pas le four pour sécher les journaux.
 - Si des matériaux devaient s'enflammer dans le four, laissez la porte du four fermée, éteignez le four et débranchez l'alimentation au niveau de la fusible ou du disjoncteur. Le feu risque de se propager si la porte est ouverte.

CONSIGNES DE SÉCURITÉ IMPORTANTES (suite)

REMARQUES PARTICULIÈRES CONCERNANT LA CUISSON MICRO-ONDE

FORMATION D'ÉTINCELLES

Si vous voyez des étincelles, appuyez sur le bouton ARRÊT/ANNULER et corrigez le problème.

« Arcing » est le terme des micro-ondes pour décrire la formation d'étincelles dans le four. La formation d'étincelle est causée par :

- Du métal ou du papier d'aluminium en contact avec la paroi du four;
- Du papier d'aluminium non moulé autour des aliments (les arêtes pointant vers le haut agissent

comme des antennes);

- Du métal, tel des attaches métalliques, des broches de volaille ou de la vaisselle cordonnée d'or dans le four à micro-ondes;
- Essuie-tout recyclé contenant de petits morceaux de métal dans le four à micro-ondes.

ALIMENTS

- Le maïs soufflé ne doit être cuit dans votre four à micro-ondes qu'à l'aide d'un accessoire de cuisson spécialement conçu à cet effet, à moins que vous n'utilisiez du maïs soufflé identifié pour l'utilisation au four à micro-ondes.
- Certains produits, tels les œufs entiers (dans leur coquille), les contenants hermétiques et les pots de verre fermés, peuvent exploser et ne devraient pas être chauffés dans ce four à micro-ondes.
- Ne faites pas bouillir des œufs au four à micro-ondes. La pression s'accumulera dans le jaune d'œuf

et le fera exploser, entraînant potentiellement des blessures.

- Faire fonctionner le four à micro-ondes sans aliment à l'intérieur durant plus d'une minute peut l'endommager et causer un incendie. La chaleur autour du magnétron augmente et peut réduire la durée de vie du four.
- Les aliments dotés d'une «peau» fermée tels les pommes de terre, saucisses, tomates, pommes, foie de poulet ou autres abattis et les jaunes d'œuf doivent être piqués avant la cuisson afin de permettre que la vapeur s'en échappe.

DONNÉES DE SÉCURITÉ: EAU SURCHAUFFÉE

L'eau et les autres liquides ne font pas toujours de bulles lorsqu'ils atteignent le point d'ébullition au four à micro-ondes. Ils peuvent en fait surchauffer sans faire une seule bulle. Le liquide surchauffé peut faire des bulles lorsqu'il est déplacé ou que quelque chose y est déposé, telle une cuiller ou un sachet de thé. Afin d'éviter cette situation pouvant entraîner des blessures, ne chauffez aucun liquide pendant plus de 2 minutes par tasse. Une fois le liquide chauffé, laissez reposer la tasse pendant 30 secondes dans le four à micro-ondes avant de la déplacer ou d'y déposer quoi que ce soit.

• Évitez de chauffer de la nourriture pour bébé dans des pots de verre, même sans le couvercle. Assurez-vous que la nourriture pour bébé est entièrement cuite. Mélangez les aliments afin de répartir la chaleur également. Prenez soin de ne pas vous ébouillanter lorsque vous chauffez du lait maternisé. Le contenant peut sembler plus froid que le lait ne l'est en réalité. **Vérifiez toujours la température du lait avant de nourrir le bébé.**

• Ébullition spontanée – Dans certains cas, un liquide peut commencer à bouillir pendant qu'on le retire du four à micro-ondes ou immédiatement après. Afin d'éviter les blessures causées par un éclaboussement, nous vous recommandons de laisser le contenant reposer entre 30 et 40 secondes dans le four éteint avant de l'en retirer. Ne faites pas bouillir de liquide dans des contenants à col

mince tels les bouteilles de boissons gazeuses, les flacons de vinet surtout les tasses à café étroites. Même si le contenant est ouvert, de la vapeur peut s'accumuler en excès et entraîner une explosion ou un débordement.

• Ne faites pas décongeler de boissons surgelées dans des bouteilles étroites (surtout les boissons gazeuses). Même si le contenant est ouvert, de la pression peut s'accumuler. Le contenant pourrait exploser, entraînant des blessures.

• La vapeur et les aliments chauds peuvent entraîner des brûlures. Soyez prudent lorsque vous ouvrez des contenants d'aliments chauds, y compris les sacs de maïs soufflé, les pochettes de cuisson et les boîtes. Afin d'éviter les blessures, dirigez la vapeur loin des mains et du visage.

• Ne cuisez pas trop les pommes de terre. Elles pourraient se déshydrater et s'enflammer, endommageant votre four.

• Cuisez entièrement la viande et la volaille : la viande doit avoir une température INTERNE d'au moins 71,1°C (160°F) et la volaille 82,2°C (180°F). La cuisson à ces températures prévient habituellement les maladies alimentaires.

CONSIGNES DE SÉCURITÉ IMPORTANTES (suite)

REMARQUES PARTICULIÈRES CONCERNANT LA CUISSON MICRO-ONDE

USTENSILES DE CUISSON POUR MICRO-ONDES

Assurez-vous que tous les ustensiles utilisés dans votre four à micro-ondes conviennent à ce type de cuisson. La plupart des casseroles de verre, plats de cuisson, tasses à mesurer, ramequins, poteries ou porcelaines sans bordure métallique ou enduit métallique peuvent être utilisés. Certains ustensiles de cuisson sont identifiés «sûr pour la cuisson aux micro-ondes».

- Si vous utilisez un thermomètre à viande durant la cuisson, assurez-vous qu'il convient aux fours à micro-ondes.
- N'utilisez pas de produits de papier recyclé. Les essuie-tout, serviettes de table et papier ciré recyclés peuvent contenir des particules métalliques pouvant causer la formation d'étincelles ou de flammes. Les produits de papier contenant du nylon ou des fils de nylon devraient être évités: eux aussi peuvent s'enflammer.
- Tous les emballages de plastique ne conviennent pas aux fours à micro-ondes. Vérifiez l'emballage pour une utilisation adéquate.
- Le fond de certains plateaux de polystyrène, tels les emballages de viande, comporte une fine couche de métal. Lorsque cuit aux micro-ondes, le métal peut brûler le plancher du four ou enflammer un essuie-tout.
- La chaleur des aliments chauffés peut se transférer sur l'ustensile de cuisson. Vous aurez peut-être besoin de poignées pour manipuler l'ustensile.
- Les pochettes de cuisson «à bouillir» et les sacs de plastique hermétiquement fermés devraient être fendus, percés ou aérés, tel qu'indiqué sur leur emballage. Sans quoi, le plastique pourrait exploser pendant la cuisson ou immédiatement après, entraînant des blessures. En outre, les plats de rangement de plastique devraient être partiellement découverts afin d'éviter qu'ils ne forment une fermeture hermétique. Lors de la cuisson de contenants couverts hermétiquement à l'aide de pellicule plastique, soyez prudent en retirant la pellicule et dirigez la vapeur loin des mains et du visage.
- Les essuie-tout, le papier ciré et la pellicule plastique peuvent être utilisés pour couvrir les plats afin de retenir l'humidité et d'empêcher les éclaboussures. Assurez-vous

d'aérer la pellicule plastique afin que la vapeur puisse s'échapper.

Comment déterminer si un plat convient au micro-ondes :

- 1) Placez le plat à vérifier et une tasse à mesurer de verre remplie d'une tasse d'eau dans le four.
- 2) Placez la tasse à mesurer dans le plat ou à côté.
- 3) Faites cuire aux micro-ondes pendant une minute à puissance élevée. Si le plat chauffe, il ne devrait pas être utilisé pour la cuisson aux micro-ondes. Si le plat demeure froid et que seule l'eau dans la tasse chauffe, le plat convient aux micro-ondes.

• N'utilisez le papier d'aluminium que de la façon décrite dans ce guide. Les plateaux télé peuvent être cuits au micro-ondes dans des plateaux d'aluminium de moins de 3/4 po. Retirez le couvercle supérieur et remettez le plateau dans la boîte. Lorsque vous utilisez du papier d'aluminium dans le four à micro-ondes, gardez une distance d'au moins 1 pouce entre le papier et les parois du four.

• Les ustensiles de cuisson de plastique conçus pour les micro-ondes sont très pratiques, mais doivent être utilisés avec prudence. Même les plastiques conçus pour les micro-ondes peuvent ne pas résister à la surcuisson aussi bien que le verre ou la céramique : ils peuvent ramollir ou carboniser lorsque soumis à de courtes périodes de surcuisson. Les aliments et l'ustensile peuvent même s'enflammer sur une longue période de surcuisson.

Suivez les lignes directrices suivantes:

- 1) Utilisez des ustensiles de plastique conçus pour les micro-ondes seulement et suivez attentivement les recommandations du fabricant.
- 2) **Ne cuisez pas** de contenant vide aux micro-ondes.
- 3) **Ne laissez pas** les enfants utiliser d'ustensile de plastique sans surveillance étroite.

INSTRUCTIONS DE MISE À LA TERRE

AVERTISSEMENT: Une utilisation inadéquate de la prise de mise à la terre peut causer des chocs électriques.

- Cet appareil doit être mis à la terre. Dans le cas d'un court-circuit électrique, la mise à la terre réduit le risque de choc électrique en offrant une sortie au courant électrique.
- Cet appareil est doté d'un cordon d'alimentation avec fiche bipolaire avec terre. La fiche doit être branchée dans une prise correctement installée et mise à la terre. Consultez un électricien qualifié ou un technicien d'entretien si les directives de mise à la terre ne sont pas entièrement comprises, ou si un doute subsiste quant à la mise à la terre appropriée de l'appareil.
- Si la prise est une prise standard à deux fiches, il est de votre responsabilité et devoir de la faire remplacer

par une prise à trois fentes avec terre.

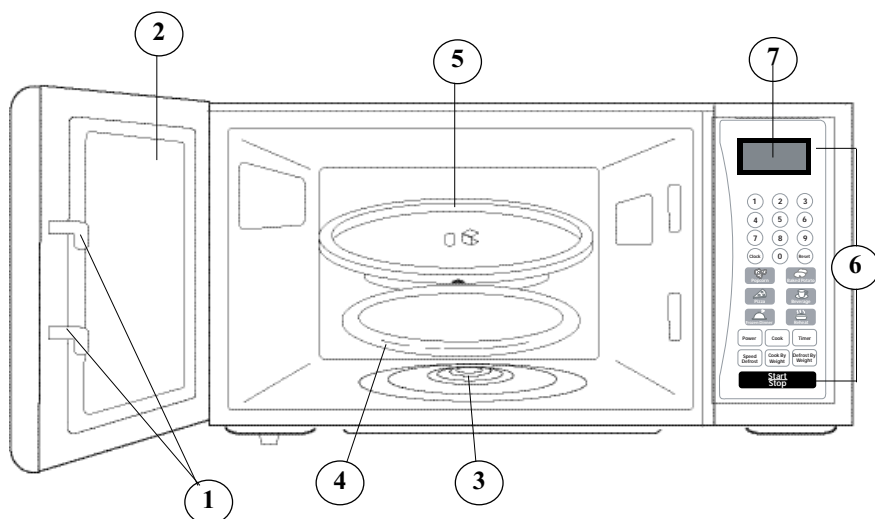
• Ne coupez pas et ne retirez pas la troisième lame (mise à la terre) du cordon d'alimentation, peu importe les circonstances. N'utilisez pas d'adaptateur de fiche avec cet appareil.

• N'utilisez pas de rallonge avec cet appareil. Si le cordon d'alimentation est trop court, faites installer une prise près de l'appareil par un électricien qualifié ou un technicien d'entretien. Pour un meilleur fonctionnement, branchez cet appareil dans une prise à lui seul afin d'éviter le scintillement des lumières, le grillage d'un fusible ou un arrêt du disjoncteur.

OPÉRATION

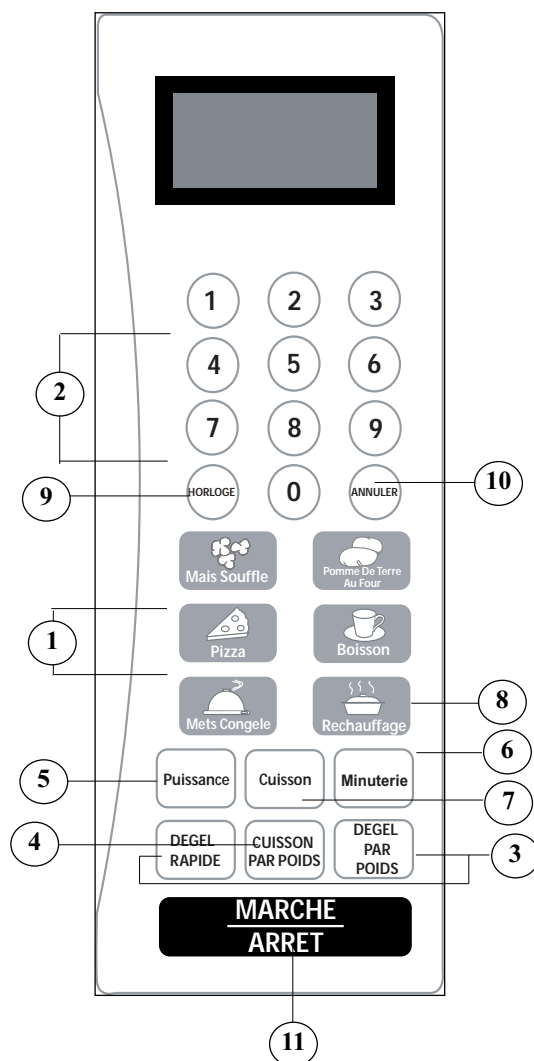
CARACTERISTIQUES

- 1) **Système de verrouillage de la porte**
- 2) **Fenêtre du four:** La fenêtre vous permet de voir la cuisson tout en conservant l'énergie micro-onde à l'intérieur du four.
- 3) **Plate-forme tournante**
- 4) **Anneau tournant**
- 5) **Plateau tournant de verre amovible:** Le plateau tournant et l'anneau doivent être en place lorsque vous utilisez le four. Le plateau tournant peut être retiré pour le nettoyage.
- 6) **Panneau de commande**
- 7) **Affichage Électronique**



COMMANDES

- 1) **Touches de CUISSON RAPIDE:** Paramètres instantanés pour la cuisson des aliments habituels.
- 2) **Bloc de touches numériques (de 0 à 9):** Appuyez sur les touches pour régler les heures ou le poids.
- 3) **Touches de DÉCONGÉLATION:**
 - a) **DÉCONGÉLATION EN FONCTION DU POIDS:** Décongélation programmée en fonction du poids des aliments à décongeler.
 - b) **DÉCONGÉLATION RAPIDE:** la fonction de décongélation rapide permet de décongeler rapidement et efficacement les aliments grâce aux périodes de décongélation et de repos en alternance.
- 4) **CUISSON SELON LE POIDS:** Cuisson programmée en fonction du poids des aliments à faire cuire.
- 5) **PUISSANCE:** sert à régler le niveau de puissance. Pour vérifier le niveau de puissance pendant la cuisson, appuyez sur la touche NIVEAU DE PUISSANCE.
- 6) **MINUTERIE:** la minuterie fonctionne indépendamment, même lorsqu'un programme de cuisson est activé.
- 7) **CUISSON:** sert à la cuisson en plusieurs étapes. Permet la cuisson automatique selon des réglages multiples de durée et de puissance.
- 8) **RÉCHAUFFAGE:** Programme automatiquement le four pour qu'il réchauffe uniformément une assiette de nourriture. Appuyez sur la touche REHEAT, puis START/STOP.
- 9) **HORLOGE:** sert à régler ou à rappeler l'heure du jour.
- 10) **ANNULER:** supprime tous les réglages antérieurs.
- 11) **MARCHE/ARRÊT:** appuyez sur la touche pour démarrer ou arrêter la cuisson.



CONSIGNES D'UTILISATION

VERROUILLAGE EN PROVISION POUR ENFANTS

Le verrou de sécurité empêche les enfants de faire fonctionner l'appareil sans la supervision des parents. Pour le régler, appuyez sur la touche ANNULER et maintenez-la pendant 3 secondes. «LOCK» (VERROUILLAGE) apparaît sur l'écran. Pour annuler, appuyez sur la touche ANNULER et maintenez-la pendant 3 secondes. «LOCK» (VERROUILLAGE) disparaît de l'écran.

REGLAGE LE HORLOGE

- 1) Appuyez sur le bloc de touches numériques de l'HORLOGE.
- 2) Servez-vous du bloc de touches numériques pour saisir l'heure. Vous devez appuyer sur au moins trois chiffres pour régler l'horloge (un pour l'heure et deux pour les minutes).
- 3) Appuyez encore sur le bloc de touches numériques de l'HORLOGE.

REMARQUES: L'horloge est réglée selon un cycle de 12 heures. Lorsque le four est branché pour la première fois ou lorsque le courant est rétabli après une panne de courant, «ENTER CLOCK TIME» (SAISIR L'HEURE) apparaît sur l'écran. Si vous ne voulez pas que l'heure soit affichée, appuyez sur ANNULER. Vous pouvez vérifier l'heure pendant la cuisson en appuyant sur le bloc de touches numériques de l'HORLOGE.

REGLAGE LE MINUTERIE

- 1) Appuyez sur MINUTERIE.
- 2) Indiquez la durée en vous servant du bloc de touches numériques. La durée indiquée figure en minutes et en secondes, de gauche à droite. Appuyez sur un seul chiffre (un 5 indique 5 secondes) ou sur quatre chiffres au maximum (2405 indique 24 minutes, 5 secondes).

- 3) Appuyez sur la touche MARCHE/ARRÊT.

REMARQUES: Le compte à rebours est affiché pendant 3 secondes avant que l'heure ou la durée de cuisson soit de nouveau affichée. Appuyez sur MINUTERIE, puis sur ANNULER pour annuler la MINUTERIE au cours de l'opération.

PROGRAMMES DE CUISSON

A) CUISSON EN UNE SEULE ÉTAPE

- 1) Servez-vous du bloc de touches numériques pour régler la durée de cuisson. Vous pouvez régler la durée de cuisson entre une seconde et 99 minutes et 99 secondes.
- 2) Si vous désirez régler un niveau de puissance différent de 100%, appuyez sur la touche PUISSANCE, puis...
- 3) Servez-vous du bloc de touches numériques pour régler le niveau de puissance. Vous pouvez régler le niveau de puissance entre 1 et 9.
- 4) Appuyez sur la touche MARCHE/ARRÊT pour démarrer la cuisson. Servez-vous des chiffres d'un à neuf pour régler un niveau de puissance pour la cuisson:

Chiffre du bloc	% de Puissance
1	10%
2	20%
3	30%
4	40%
5	50%
6	60%
7	70%
8	80%
9	90%
10	100%

B) CUISSON EN DEUX ÉTAPES

Certaines recettes nécessitent l'utilisation de différentes températures selon l'étape de cuisson.

- 1) **RÉGLAGE DE L'ÉTAPE 1:** Suivez les étapes 1 et 2 figurant dans «Cuisson en une seule étape». **N'APPUYEZ PAS SUR DEMARRAGE**

- 2) **RÉGLAGE DE L'ÉTAPE 2:** Appuyez sur CUISSON, puis indiquez le temps de cuisson approprié et le (plus bas) niveau de puissance. La plupart des recettes à 2 étapes utilisent un niveau de puissance plus bas pour la deuxième étape.

- 3) Appuyez sur la touche MARCHE/ARRÊT.

REMARQUES: Une fois la durée de la première étape écoulée, un signal sonore est émis indiquant le début de la deuxième étape. Une fois la durée totale écoulée, quatre signaux sonores sont émis et «END» (FIN) apparaît sur l'écran. Appuyez sur ANNULER ou ouvrez la porte du four pour effacer la mention «END» (FIN) avant d'utiliser une autre fonction de cuisson.

CONSIGNES D'UTILISATION (suite)

DÉCONGÉLATION RAPIDE

1) Appuyez sur la touche DÉCONGÉLATION RAPIDE.

2) Indiquez la durée de décongélation désirée en appuyant sur les touches correspondantes du bloc numérique. La minuterie numérique règle les minutes et les secondes de gauche à droite de sorte qu'un seul chiffre (un 5 indique 5 secondes) ou sur quatre chiffres au maximum (2405 indique 24 minutes, 5 secondes) peuvent être indiqués.

3) Appuyez sur la touche MARCHE/ARRÊT.

REMARQUES: Une fois la durée écoulée, quatre signaux sonores sont émis et «END» (FIN) apparaît sur l'écran. Appuyez sur la touche ANNULER ou

ouvrez la porte pour effacer la mention «END» (FIN) avant de vous servir d'une autre fonction de cuisson. Après avoir réglé le four à DÉCONGÉLATION RAPIDE, celui-ci peut être programmé pour se régler lui-même automatiquement à la cuisson en une seule étape ou en deux étapes. Pour la décongélation rapide et la cuisson en une seule étape, suivez les étapes susmentionnées. Avant d'appuyer sur la touche MARCHE/ARRÊT, appuyez sur CUISSON, indiquez la durée et le niveau de puissance, puis appuyez sur MARCHE/ARRÊT. Pour la décongélation rapide et la cuisson en deux étapes, suivez les étapes susmentionnées. Avant d'appuyer sur la touche MARCHE/ARRÊT, choisissez «programmes de cuisson en deux étapes».

CUISSON SELON LE POIDS

1) Appuyez sur DÉCONGÉLATION SELON LE POIDS.

2) Indiquez le code à un chiffre en appuyant sur la touche correspondante du bloc numérique.

3) Saisissez le poids.

4) Appuyez sur la touche MARCHE/ARRÊT.

CODE	TYPE	POIDS MAX
1	Boeuf	5 lb. 16 oz.
2	Poulet	5 lb. 16 oz.
3	Porc	5 lb. 4 oz.

REMARQUES: La viande doit être décongelée et à la température de réfrigération. Le poids doit être exprimé en livres et en onces. Si le poids est inférieur à 10 onces, il doit être précédé d'un 0. Si le poids figurant sur l'étiquette est en livres seulement, convertissez une fraction en onces à l'aide du tableau de droite. Pendant la cuisson, le système se met en pause automatiquement et sonne afin de rappeler à l'utilisateur de tourner la viande de côté. Après cela, appuyez sur MARCHE/ARRÊT pour continuer la cuisson. Une fois la durée totale de cuisson écoulée, quatre signaux sonores sont émis et «END» (FIN) apparaît sur l'écran. Appuyez sur ANNULER ou ouvrez la porte du four pour effacer la mention «END» (FIN) avant de vous servir d'une autre fonction de cuisson. Laissez reposer la viande quel que quelques minutes avant de la découper.

Aliments (lb)	Oz.
moins de .03	0
de .03 à .09	1
de .10 à .15	2
de .16 à .21	3
de .22 à .27	4
de .29 à .34	5
de .35 à .40	6
de .41 à .46	7
de .47 à .53	8
de .54 à .59	9
de .60 à .65	10
de .66 à .71	11
de .72 à .77	12
de .78 à .83	13
de .84 à .90	14
de .91 à .97	15
de .98 à 1.0	16

DÉCONGÉLATION SELON LE POIDS

1) Appuyez sur la touche DÉCONGÉLATION SELON LE POIDS.

2) Saisissez le poids.

3) Appuyez sur la touche MARCHE/ARRÊT.

REMARQUES: Le poids doit être exprimé en livres et en onces. Si le poids est inférieur à 10 onces, il doit être précédé d'un 0. Si le poids figurant sur l'étiquette

est en livres seulement, convertissez une fraction en onces à l'aide du tableau ci-dessus. Retournez l'aliment lorsqu'un signal sonore est émis par le four. Appuyez sur la touche MARCHE/ARRÊT pour continuer la décongélation. Une fois la durée totale de décongélation écoulée, quatre signaux sonores sont émis et «END» (FIN) apparaît sur l'écran. Appuyez sur ANNULER ou ouvrez la porte du four pour effacer la mention «END» (FIN) avant de vous servir d'une autre fonction de cuisson.

CONSIGNES D'UTILISATION (suite)

PARAMÈTRES DE CUISSON RAPIDE

Les réglages de CUISSON RAPIDE vous permettent de faire cuire ou de réchauffer les aliments automatiquement sans avoir à indiquer le niveau de puissance ou la durée de cuisson. Pour de plus petites portions, il suffit d'appuyer sur la touche correspondante et sur la touche MARCHE/ARRÊT. Pour de plus grandes portions, appuyez deux fois sur la touche. REPAS CONGELÉ, POMMES DE TERRE AU FOUR et BOISSON vous permettent de faire cuire des quantités multiples des mêmes aliments. Il suffit d'appuyer une seule fois sur la touche, et «ENTER AMT» (SAISIR QTE) apparaît sur l'écran. Indiquez la quantité des portions et démarrez la cuisson.

RÉGLAGE POUR «MAÏS ÉCLATÉ»:

1) Appuyez sur la touche MAÏS ÉCLATÉ. La touche MAÏS ÉCLATÉ permet de régler automatiquement la durée de cuisson d'un sachet de maïs éclaté de 3 à 3,5 oz dans un four à micro-ondes.

2) Appuyez sur la touche MARCHE/ARRÊT.

REMARQUE: Pour réinitialiser la durée de cuisson du MAÏS ÉCLATÉ: Appuyez deux fois sur la touche MAÏS ÉCLATÉ. «ENTER TIME» (INDIQUER LA DURÉE) apparaît sur l'écran. Appuyez sur les touches numériques pour saisir les minutes et les secondes. Appuyez sur la touche MARCHE/ARRÊT. La nouvelle durée de cuisson sera celle utilisée dès que vous appuierez sur la touche MAÏS ÉCLATÉ tant que celle-ci ne sera pas réinitialisée.

RÉGLAGE POUR «POMMES DE TERRE AU FOUR»: Pour les pommes de terre (entre 4 et 6 oz pour chaque portion):

1) Appuyez une fois sur la touche POMME DE TERRE AU FOUR

2) Indiquez le nombre de pommes de terre en appuyant sur les touches numériques (de 1 à 4).

3) Appuyez sur la touche MARCHE/ARRÊT.

Pour les pommes de terre de plus grande dimension (entre 8 et 10 oz pour chaque portion):

1) Appuyez deux fois sur la touche POMMES DE TERRE AU FOUR.

2) Indiquez le nombre de pommes de terre en appuyant sur les touches numériques (de 1 à 4).

3) Appuyez sur la touche MARCHE/ARRÊT.

RÉGLAGE POUR «PIZZA»: Pour réchauffer des restes de pizza (un ou deux morceaux de faible épaisseur):

1) Appuyez une fois sur la touche PIZZA.

2) Appuyez sur la touche MARCHE/ARRÊT.

Pour réchauffer une pizza entière:

1) Appuyez deux fois sur la touche PIZZA.

2) Appuyez sur la touche MARCHE/ARRÊT.

RÉGLAGE POUR «BOISSON»: Pour des tasses à café (de 5 à 7 oz par portion):

1) Appuyez une fois sur la touche BOISSON.

2) Indiquez le nombre de tasses en appuyant sur les touches numériques (de 1 à 4).

3) Appuyez sur la touche MARCHE/ARRÊT.

Pour de plus grandes tasses à café (de 9 à 11 oz par portion):

1) Appuyez deux fois sur la touche BOISSON.

2) Indiquez le nombre de grandes tasses en appuyant sur les touches numériques (de 1 à 4).

3) Appuyez sur la touche MARCHE/ARRÊT.

RÉGLAGE POUR «REPAS CONGELÉ»: Pour faire cuire un ou deux petits repas congelés (entre 7 et 9 oz par portion) au four micro-ondes:

1) Appuyez une fois sur la touche REPAS CONGELÉ.

2) Appuyez sur «1» ou sur «2» pour sélectionner 1 ou 2 portions.

3) Appuyez sur la touche MARCHE/ARRÊT.

Pour faire cuire un repas congelé de grande dimension (entre 10 et 12 oz par portion) au four micro-ondes:

1) Appuyez deux fois sur la touche REPAS CONGELÉ.

2) Appuyez sur «1» ou sur «2» pour sélectionner 1 ou 2 portions.

3) Appuyez sur la touche MARCHE/ARRÊT.

POUR RÉCHAUFFER:

1) Appuyez sur la touche RÉCHAUFFER.

2) Appuyez sur la touche MARCHE/ARRÊT.

SOINS ET ENTRETIEN

- 1) Éteignez le four et retirez la fiche de courant de la prise murale avant de nettoyer celui-ci.
- 2) Maintenez l'intérieur du four propre. Lorsque des résidus alimentaires ou des liquides renversés collent aux parois du four, essuyez les parois à l'aide d'un chiffon humide. On peut utiliser un détergent doux si le four est très sale. Évitez d'utiliser des aérosols et d'autres nettoyants forts car ils sont susceptibles de détacher, de rayer ou de ternir la surface de la porte.
- 3) Les surfaces extérieures doivent être nettoyées à l'aide d'un chiffon humide. Pour empêcher que les pièces nécessaires au fonctionnement à l'intérieur du four ne subissent des dommages, il faut prévenir toute infiltration d'eau dans les prises d'air de ventilation.
- 4) Essuyez les deux faces du hublot à l'aide d'un chiffon humide pour éliminer tout liquide déversé ou toute éclaboussure.
- 5) Évitez d'asperger d'eau le panneau de commande. Essuyez-le à l'aide d'un chiffon humide et doux. Lors du nettoyage du panneau de commande, laissez la porte du four ouverte pour éviter de le mettre en marche accidentellement.
- 6) Lorsque la vapeur s'accumule à l'intérieur de la porte du four ou sur le pourtour extérieur, essuyez celle-ci à l'aide d'un chiffon doux. Cela peut se produire lorsque le four à micro-ondes fonctionne par temps très humide; c'est normal.
- 7) Il est à l'occasion nécessaire de retirer le plateau tournant en verre pour le nettoyer. Lavez le plateau à l'eau chaude savonneuse ou dans un lave-vaisselle.
- 8) L'anneau qui assure la rotation du plateau et la partie inférieure du four devraient être nettoyés régulièrement afin d'éviter qu'ils fassent trop de bruit. Il suffit d'essuyer la surface inférieure du four avec un détergent doux. On peut laver l'anneau à l'eau tiède savonneuse ou dans un lave-vaisselle. Veillez à remettre l'anneau à sa place lorsque vous le retirez du four pour le nettoyer.
- 9) Éliminez les odeurs de votre four en ajoutant le jus et l'écorce d'un citron à une tasse d'eau dans un bol profond et mettez celui-ci au four à micro-ondes pendant 5 minutes. Essuyez-le à fond et séchez à l'aide d'un chiffon doux.
- 10) S'il vous faut remplacer l'ampoule du four, consultez un distributeur qui effectuera la tâche.
- 11) Le four devrait être nettoyé de manière régulière et débarrassé de tout résidu alimentaire. Le fait de ne pas nettoyer le four régulièrement peut entraîner la détérioration de sa surface, ce qui risquerait d'abrèger la durée de vie de l'appareil et d'entraîner une situation dangereuse.
- 12) Nous vous prions de jeter cet appareil conformément à la réglementation et aux règlements locaux. Par exemple, il est suggéré de l'apporter à un centre d'élimination spécial prévu par votre municipalité.

LES CHOSES NORMALES

- De la vapeur s'échappant autour de la porte.
- Une légère réflexion autour de la porte et du boîtier extérieur.
- Une atténuation de la lumière du four et un changement du son de ventilation, à des puissances de cuisson autres que la puissance maximale.
- Bruit sourd pendant le fonctionnement du four.
- Vous remarquerez peut-être une interférence avec les signaux télévisuels et radiophoniques. Semblable à l'interférence causée par d'autres petits appareils électriques, elle ne signifie pas qu'il y ait un problème avec le four à micro-ondes. Branchez le four à micro-ondes dans un autre circuit électrique, déplacez la radio ou la télévision le plus loin possible du four ou vérifiez la position et le signal.



GARANTIE LIMITÉE SUR APPAREIL ÉLECTROMÉNAGER

Cet appareil de qualité est garanti exempt de tout vice de matière première et de fabrication, s'il est utilisé dans les conditions normales recommandées par le fabricant.

Cette garantie n'est offerte qu'à l'acheteur initial de l'appareil vendu par Danby Products Limited (Canada) ou Danby Products Inc. (E.- U. d'A) (ci-après "Danby") ou par l'un des ses distributeurs agréés et elle ne peut être transférée.

CONDITIONS

Les pièces en plastique sont garanties pour trente (30) jours seulement à partir de la date de l'achat, sans aucune prolongation prévue.

Première 12 mois Pendant les douze (12) mois, toutes pièces fonctionnelles de ce produit s'avèrent défectueuses, seront réparées ou remplacées, selon le choix du garant, sans frais à l'acheteur INITIAL.

Pour bénéficiaire du Service Le client sera responsable pour le transport et tous les frais d'expédition de tout appareil exigeant le service au dépôt de service autorisé le plus proche. S'adresser au détaillant qui a vendu l'appareil, ou à la station technique agréée de service la plus proche, où les réparations doivent être effectuées par un technicien qualifié. Si les réparations sont effectuées par quiconque autre que la station de service agréée ou à des fins commerciales, toutes les obligations de Danby en vertu de cette garantie seront annulées.

Cette garantie indique en aucun temps la responsabilité de Danby de l'avarie ou dommage de la vin ou autre contenu, soit par les vices de l'appareil, ou soit par l'utilisation convenable ou inexacte.

EXCLUSIONS

En vertu de la présente, il n'existe aucune autre garantie, condition ou représentation, qu'elle soit exprimée ou tacite, de façon manifeste ou intentionnelle, par Danby ou ses distributeurs agréés. De même, sont exclues toutes les autres garanties, conditions ou représentations, y compris les garanties, conditions ou représentations en vertu de toute loi régissant la vente de produits ou de toute autre législation ou règlement semblables.

En vertu de la présente, Danby ne peut être tenue responsable en cas de blessures corporelles ou des dégâts matériels, y compris à l'appareil, quelle qu'en soit les causes. Danby ne peut pas être tenue responsable des dommages indirects dus au fonctionnement défectueux de l'appareil. En achetant l'appareil, l'acheteur accepte de mettre à couvert et de dégager Danby de toute responsabilité en cas de réclamation pour toute blessure corporelle ou tout dégât matériel causé par cet appareil.

CONDITIONS GÉNÉRALES

La garantie ou assurance ci-dessus ne s'applique pas si les dégâts ou réparations sont dus aux cas suivants:

- 1) Panne de courant.
- 2) Dommages subis pendant le transport ou le déplacement de l'appareil.
- 3) Alimentation électrique incorrecte (tension faible, câblage défectueux, fusibles incorrects).
- 4) Accident, modification, emploi abusif ou incorrect de l'appareil tel qu'une circulation d'air inadéquate dans la pièce ou des conditions de fonctionnement anormales (température extrêmement élevée ou basse).
- 5) Utilisation dans un but commercial ou industriel (à savoir, si l'appareil n'est pas installé dans un domicile résidentiel).
- 6) Incendie, dommages causés par l'eau, vol, guerre, émeute, hostilités, cas de force majeure (ouragan, inondation, etc.).
- 7) Visites d'un technicien pour expliquer le fonctionnement de l'appareil au propriétaire.
- 8) Installation inappropriée (par exemple, encastrement d'un appareil autoportant, ou utilisation extérieure d'un appareil non conçu à cet effet).

Une preuve d'achat doit être présentée pour toute demande de réparation sous garantie. Prière de garder le reçu. Pour faire honorer la garantie, présenter ce document à la station technique agréée ou s'adresser à:

Danby Products Limited
PO Box 1778, Guelph, Ontario, Canada N1H 6Z9
Telephone: (519) 837-0920 FAX: (519) 837-0449

1-866-726-1150

DNB052809
04/09

Danby Products Inc.
PO Box 669, Findlay, Ohio, U.S.A. 45840
Telephone: (419) 425-8627 FAX: (419) 425-8629



Model • Modèle
SBMW1109W/BL

For service, contact your
nearest service depot

or call:

1-866-726-1150

to recommend a depot in
your area.

Pour le service après-vente,
contactez votre centre de
service le plus près ou
téléphonez au :

1-866-726-1150

afin de connaître l'atelier
le plus près de chez vous.

Microwave Oven

The model number can be found on the serial plate located on the back panel of the unit.

All repair parts are available for purchase or special order when you visit your nearest service depot. To request service and/or the location of the service depot nearest you, call the TOLL FREE NUMBER.

When requesting service or ordering parts, always provide the following information:

- **Product Type**
- **Model Number**
- **Part Description**

Four à micro-ondes

Le numéro du modèle se trouve sur la plaque de série, sur le panneau arrière de l'appareil.

Toutes les pièces de réparation sont disponibles à l'achat ou sur commande spéciale lorsque vous visiterez votre atelier de service. Afin de demander une réparation ou de connaître l'atelier de réparation le plus près de chez vous, appelez au NUMÉRO SANS FRAIS.

Afin de demander une réparation ou de commander des pièces, soyez toujours prêt à fournir les renseignements suivants :

- **Type de produit**
- **Numéro de modèle**
- **Description de la pièce**

Sunbeam[®] is a registered trademark of Sunbeam Products, Inc. used under license.
Sunbeam[®] est une marque déposée de Sunbeam Products, Inc. utilisée sous licence.

Danby Products Limited, Guelph, Ontario Canada N1H 6Z9
Danby Products Inc., Findlay, Ohio USA 45840