



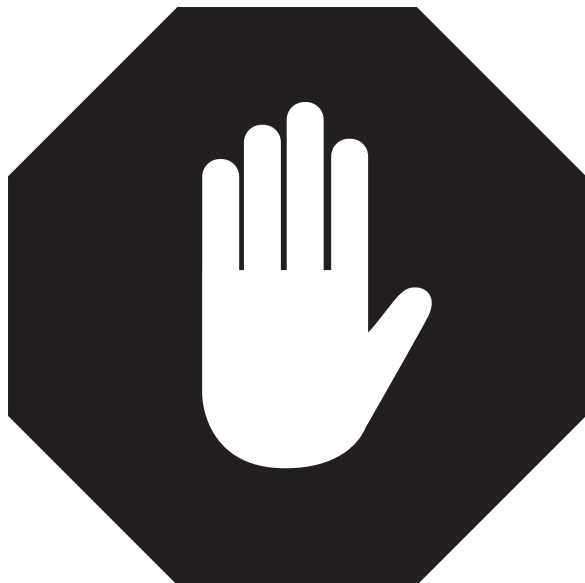
Danby

OWNER'S USE AND CARE GUIDE
GUIDE D'UTILISATION ET D'ENTRETIEN

**AIR CONDITIONER
CLIMATISEUR**

**MODEL • MODÈLE
DAC150ECB1GDB / DAC150EUB1GDB
DAC180ECB1GDB / DAC180EUB1GDB
DAC250ECB1GDB / DAC250EUB1GDB**





**1-800-263-2629
(1-800-26-DANBY)**

**DO NOT RETURN THIS UNIT TO THE RETAILER
WITHOUT FURTHER INSTRUCTIONS**

Dear valued customer, we hope your Danby product purchase fulfills all your requirements. Your satisfaction is our priority!
Please contact us at our toll free consumer service number for any inquiries you may have about your new unit.

**NE PAS RETOURNER CET APPAREIL CHEZ LE
DÉTAILLANT SANS CONSIGNES SUPPLÉMENTAIRES**

Cher(ère) client(e) important(e), nous espérons que votre produit Danby répond à tous vos besoins. Votre satisfaction est notre priorité!
Veuillez nous contacter au numéro gratuit de service après-vente, si vous avez des questions quelconques à propos de votre nouvel appareil.



TO OBTAIN WARRANTY SERVICE YOU MUST PROVIDE A VALID PROOF OF PURCHASE. PLEASE STAPLE YOUR RECEIPT TO THIS PAGE FOR FUTURE REFERENCE.

POUR OBTENIR LE SERVICE SUR GARANTIE, VOUS DEVEZ FOURNIR UNE PREUVE D'ACHAT VALIDE. VEUILLEZ AGRAFER VOTRE REÇU À CETTE PAGE POUR RÉFÉRENCE FUTURE.

IMPORTANT - GROUNDING METHOD

This product is factory equipped with a power supply cord that has a three-pronged grounded plug. It must be plugged into a mating grounding type receptacle in accordance with the National Electrical Code and applicable local codes and ordinances. If the circuit does not have a grounding type receptacle, it is the responsibility and obligation of the customer to exchange the existing receptacle in accordance with the National Electrical Code and applicable local codes and ordinances. The third ground prong should not, under any circumstances, be cut or removed. Never use the cord, the plug or the appliance when they show any sign of damage. Do not use your appliance with an extension cord unless it has been checked and tested by a qualified electrician or electrical supplier.

IMPORTANT - MÉTHODE POUR LA MISE À LA TERRE

Ce produit arrive d'origine avec un cordon d'alimentation équipé d'une prise à trois fiches. Il doit être branché dans une prise avec une fiche de mise à la terre en conformité avec le Code national de l'électricité et les codes et règles locaux applicables. Si la prise murale n'a pas de mise à la terre, il est de la responsabilité et l'obligation du client de changer la prise existante pour la rendre conforme au Code national de l'électricité et aux codes et règles locaux applicables. La fiche de mise à la terre ne doit pas, en aucune circonstance, être coupée ou retirée. Si vous apercevez des signes de dommage, n'utilisez jamais le cordon d'alimentation, la prise ou l'appareil. N'utilisez jamais l'appareil avec une rallonge sauf si elle a été vérifiée et testée par un électricien qualifié ou un fournisseur de matériel électrique.

CONTENTS

TABLE DES MATIÈRES

AIR CONDITIONER

Owner's Use and Care Guide 1-20

- Welcome
- Important Safety Information
- Features
- Installation Instructions
- Operation Instructions
- Care and Maintenance
- Troubleshooting
- Warranty

CLIMATISEUR

Guide d'utilisation et d'entretien..... 21-41

- Bienvenue
- Consignes de sécurité importantes
- Caractéristiques
- Consignes d'installation
- Consignes d'utilisation
- Soins et entretien
- Dépannage
- Garantie

CAUTION:

Read and follow all safety rules and operating instructions before first use of this product.

AVERTISSEMENT :

Veillez lire attentivement les consignes de sécurité et les instructions d'utilisation avant l'utilisation initiale de ce produit.

Model • Modèle

DAC150ECB1GDB / DAC150EUB1GDB / DAC180ECB1GDB / DAC180EUB1GDB
DAC250ECB1GDB / DAC250EUB1GDB

WELCOME

Welcome to the Danby family. We are proud of our quality products, and we believe in dependable service, like you will find in this Owner's Use and Care Guide, and like you will receive from our friendly customer service department. Best of all, you will experience these values each and every time you use your Danby appliance. That is important, because your new appliance will be a part of your family for a long time.

For easy reference, we suggest you attach a copy of your sales slip/receipt to this page, along with the following information, located on the manufacturer's nameplate on the right side of the unit above the powercord.

Note the information below; you will need this information to obtain service under warranty. To receive service, you must provide the original receipt.

NOTE: THIS UNIT IS NOT DESIGNED FOR "THROUGH-THE-WALL" INSTALLATION.

Model No: _____

Serial No: _____

Date Purchased: _____

NEED HELP?

Before you call for service, here are a few things you can do to help us serve you better:

Read this Owner's Use and Care Guide:

It contains instructions to help you use and maintain your appliance properly.

If you received a damaged appliance:

Immediately contact the retailer (or builder) that sold you the appliance.

Save time and money:

Check the Troubleshooting section at the end of the guide before calling. This section helps you solve common problems that may occur.

If you do need service, you can relax, knowing help is only a phone call away.



1-800-26-**Danby**
(1-800-263-2629)



WARNING

Improper connection of the grounding plug can result in risk of fire, electric shock and/or injury to persons associated with the appliance. Check with a qualified service representative if in doubt that the appliance is properly grounded.



Important Safety Information

READ AND FOLLOW ALL SAFETY INSTRUCTIONS

FOR YOUR SAFETY: Read these instructions carefully before operating the unit.



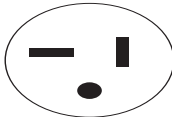
ELECTRICAL SPECIFICATIONS

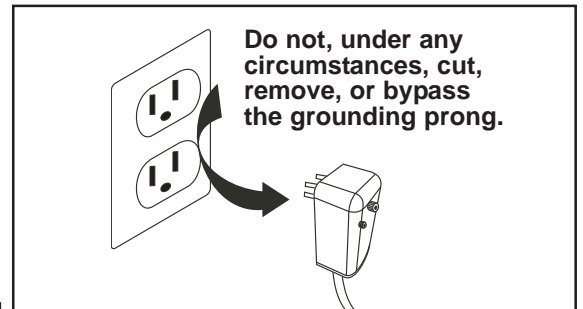
1. All wiring must comply with local and national electrical codes and must be installed by a qualified electrician. If you have any questions regarding the following instructions, contact a qualified electrician.
2. Check available power supply and resolve any wiring problems BEFORE installing and operating this unit.
3. This 115V or 230/208V air conditioner uses 11.7 or less nameplate amps and may be used in any properly wired, general purpose household receptacle. See **Table 1** for specifications for individual branch circuit.
4. For your safety and protection, this unit is grounded through the powercord plug when plugged into a matching wall outlet. If you are not sure whether your wall outlet is properly grounded, please consult a qualified electrician.
5. The wall outlet must match the 3-prong plug on the service cord supplied with the unit. **DO NOT** use plug adapters. See **Table 2** for receptacle and fuse information.
6. The rating plate on the unit contains electrical and other technical data. The rating plate is located on the right side of the unit, above the powercord.

TABLE 1

Suggested Individual Branch Circuit	
Nameplate Amps	*AWG Wire Size
11.7 or less	14
AWG- American Wire Gauge	
*Based on copper wire at 105°C (221°F) temperature rating.	

TABLE 2

Recept and Fuse Types			
Model	DAC150EC/UB1GDB	DAC180EC/UB1GDB	DAC250EC/UB1GDB
Rated Volts	125	240	250
Amps	15	15	30
Wall Outlet			
Fuse Size	15	15	20
Time Delay Fuse (or Circuit Breaker)	Plug Type		





Important Safety Information

READ AND FOLLOW ALL SAFETY INSTRUCTIONS

FOR YOUR SAFETY: Read these instructions carefully before operating the unit.

ENERGY SAVING TIPS

Your appliance is designed to be highly efficient in energy savings. Follow these recommendations for greater efficiency.

1. Select a thermostat setting that suits your comfort needs and leave at that chosen setting.
2. The air filter is very efficient in removing airborne particles. Keep the air filter clean at all times (usually cleaned every 2 weeks depending on indoor air quality).
3. Use drapes, curtains or shades to keep direct sunlight from penetrating and heating the room, but do not allow drapes or curtains to obstruct the air flow around the unit.
4. Start your air conditioner before the outdoor air becomes hot, to avoid an initial period of discomfort while the unit is cooling the room.
5. When outdoor temperatures are cool enough, use the **FAN MODE** only, on **HIGH, MEDIUM, or LOW** setting. This circulates indoor air, providing some cooling comfort, and utilizes less electricity than when operating on a cooling setting.

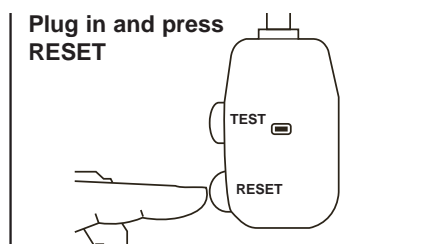
POWER SUPPLY CORD

The power cord supplied with this air conditioner contains a device that senses damage to the power cord. To test if your power cord is working properly, you must do the following:

1. Connect the power supply cord to an electrical outlet.
2. The power supply cord has two buttons located on the head of the plug. One button is marked "TEST", and the other is marked "RESET". Press the "TEST" button; you will hear a click as the "RESET" button pops out.
3. Press the "RESET" button; you will hear a click as the button engages.
4. The power supply cord is now energized and supplying electricity to the air conditioner (on some products this is also indicated by a light on the plug head).

NOTE: The power cord supplied with this air conditioner contains a current leakage detection device designed to reduce the risk of fire. In the event the power supply cord is damaged, it cannot be repaired and must be replaced with a new cord from the product manufacturer.

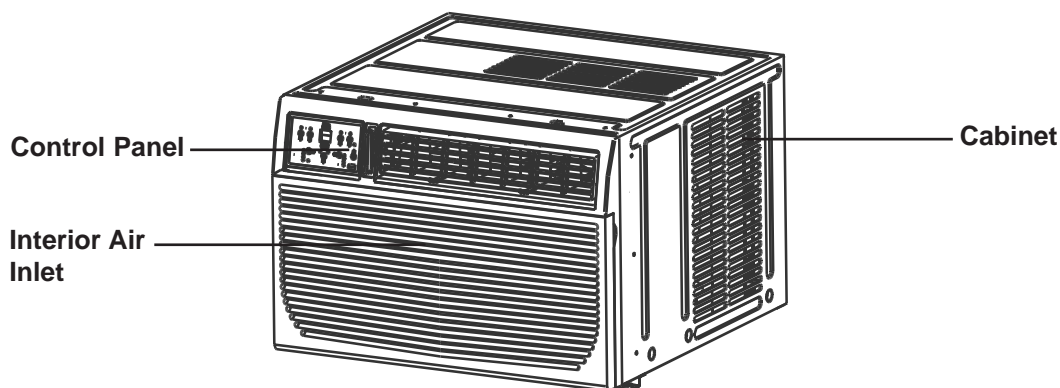
- Under no circumstances should this device be used to turn the unit on or off.
- The "RESET" button must always be pushed in (engaged) for correct operation.
- The power supply cord must be replaced if it fails to reset when the "TEST" button is pushed in.



NOTE: Some plugs have buttons on the top.



FEATURES



UNIT CONTROL PANEL

1. **ON/OFF Button:** Press to turn the unit on/off. NOTE: The unit will automatically launch the Energy Saver function when it is in Cool, Dry and Auto modes.
2. **Temperature UP/DOWN Buttons:** To change the temperature setting, press or hold either the UP (▲) or DOWN (▼) button, until the desired temperature is seen on the display. This temperature will be automatically maintained anywhere between 17°C (62°F) and 30°C (86°F). In Cooling mode, the display reads the set temperature, while in Fan mode, the current room temperature is displayed.
3. **Fan Speed Button:** Select from four different fan settings: Auto, Low, Med or High. Each time the button is pressed, the fan speed is shifted.
4. **Mode Button:** Allows you to scroll through and select the desired operating mode: Auto, Cool, Dry and Fan. The selected mode will be denoted by the adjacent indicator light.

Operation in Auto Mode:

- Auto is a pre-set factory program that automatically defines the mode and fan speed, based on the set temperature you have chosen. An example of Auto operation is as follows:
- If you would like to cool down your room, your desired / set temperature will be below the room temperature, and your air conditioner will go into cooling mode. Once the room has reached your desired temperature, the air conditioner will switch to Fan mode, and circulate the cooled air around the room. When the temperature in the room goes up, the unit will switch back to cooling mode, and the Auto cycle will start again.

Operation in Dry Mode:

- Please note that in this mode you cannot set the desired humidity level, it is automatically pre-set. The fan speed in this setting is defaulted to "low". Since the compressor is operating in order to remove moisture from the air, you will experience a degree of cooling as a by-product.

Operation in Fan Only Mode:

- Use this function, when cooling is not desired, such as for room air circulation, or to exhaust stale air. Remember to open the vent during this function, but keep it closed during cooling, for maximum cooling efficiency. In this mode you can choose any fan speed you prefer. In Fan mode, the temperature cannot be set, and the display will read the current room temperature.

5. **Energy Saver:** This is the default setting on this model. The unit will automatically cycle the fan on and off while the compressor is not in use. The fan will continue to run for 3 minutes after the compressor shuts off. The fan then cycles on for 2 minutes at 10 minute intervals, until the room temperature is above the set temperature. At this point, the compressor turns back on and cooling re-starts. When the unit is in Energy Saver mode, the indicator light above the Energy Saver button will be illuminated. You can take the unit out of Energy Saver mode by pressing the Energy Saver button - the indicator light about the button will turn off. If you choose the non-Energy Saver option, the fan will run continuously when the compressor is not in use.



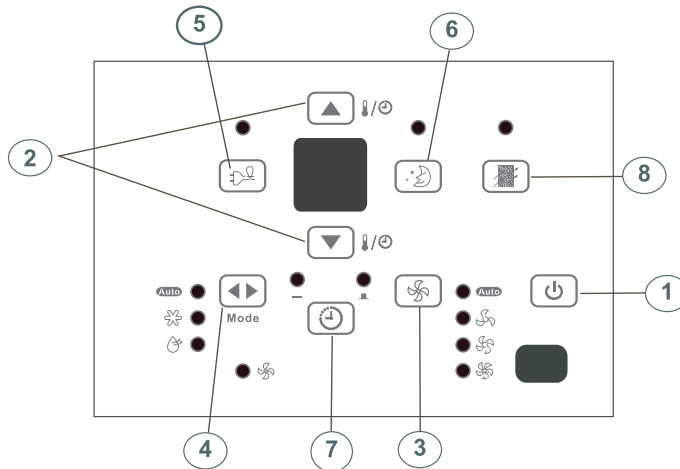
FEATURES

UNIT CONTROL PANEL

6. **Sleep Button:** Press the Sleep button to initiate the Sleep mode. In this mode, the selected temperature will increase (when in cooling mode) by 1°C (2°F) one half-hour after Sleep mode has been selected. The temperature will then increase by another 1°C (2°F) after an additional half-hour. This new temperature will be maintained for 6 hours before returning to the originally selected temperature. This ends the Sleep mode and the unit will continue to operate as originally programmed. The Sleep mode program can be cancelled at any time during operation by pressing the Sleep button again.
7. **Timer (Auto Start / Stop Feature) Button:** Pressing the Timer button will illuminate the indicator beside the word "On". This indicates that the Auto Start program has been initiated. Press or hold the Up (▲) or Down (▼) buttons to change the Auto time by 0.5 hour increments, up to 10 hours, then at 1 hour increments up to 24 hours. The control will count down the time remaining until the start of the program. The selected time will register in 5 seconds and the system will automatically revert back to displaying the previous temperature setting. Turning the unit ON or OFF at any time will cancel the Auto Start/Stop function.
8. **Check Filter Button:** This feature is a reminder to clean the air filter for more efficient operation. The LED (light) illuminates after 250 hours of operation. To reset after cleaning the filter, press the check filter button and the light will go off.

ADDITIONAL FEATURES:

- The Cool circuit has an automatic 3 minute time delayed start if the unit is turned off and on quickly. This prevents overheating of the compressor and possible circuit breaker tripping. The fan will continue to run during this time.
- The control will maintain any set temperature within 2°, between 15°C-32°C (60°F - 90°F).
- The control is capable of displaying temperature in Celsius (°C) or Fahrenheit (°F). To convert from one to the other, press and hold the UP and DOWN Temp./Timer buttons at the same time for 3 seconds.



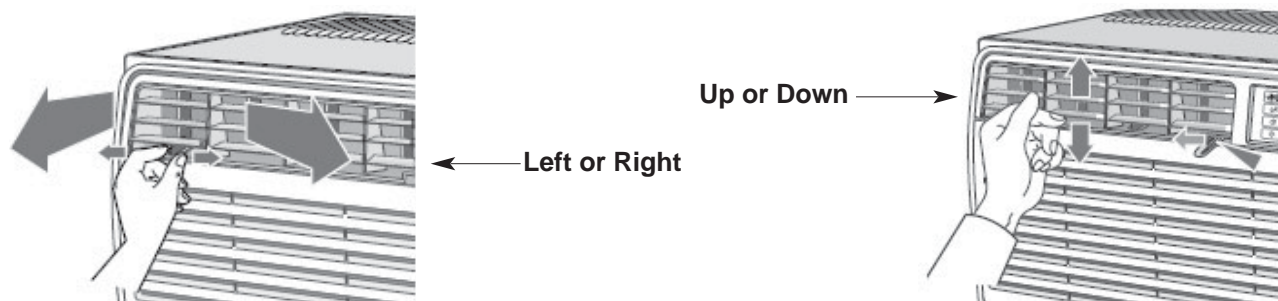


FEATURES

ADJUSTING AIR FLOW

The 4-way air directional louvers allow you to direct the air flow up or down and left or right throughout the room as needed.

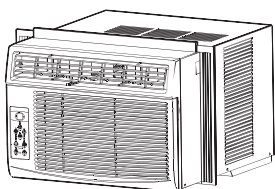
RECOMMENDATION: When cooling, adjust blades to face upward. If you orient the air flow blades downward and the unit operates in cool mode for long periods of time, dew may form and drip from the surface of the blades.



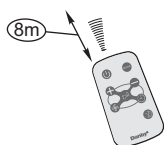
OPERATING INSTRUCTIONS

USING THE REMOTE CONTROL

Location of the remote controller



- Use the remote controller within a distance of 8 meters from the appliance, pointing it towards the receiver. Reception is confirmed by a beep.



CAUTION

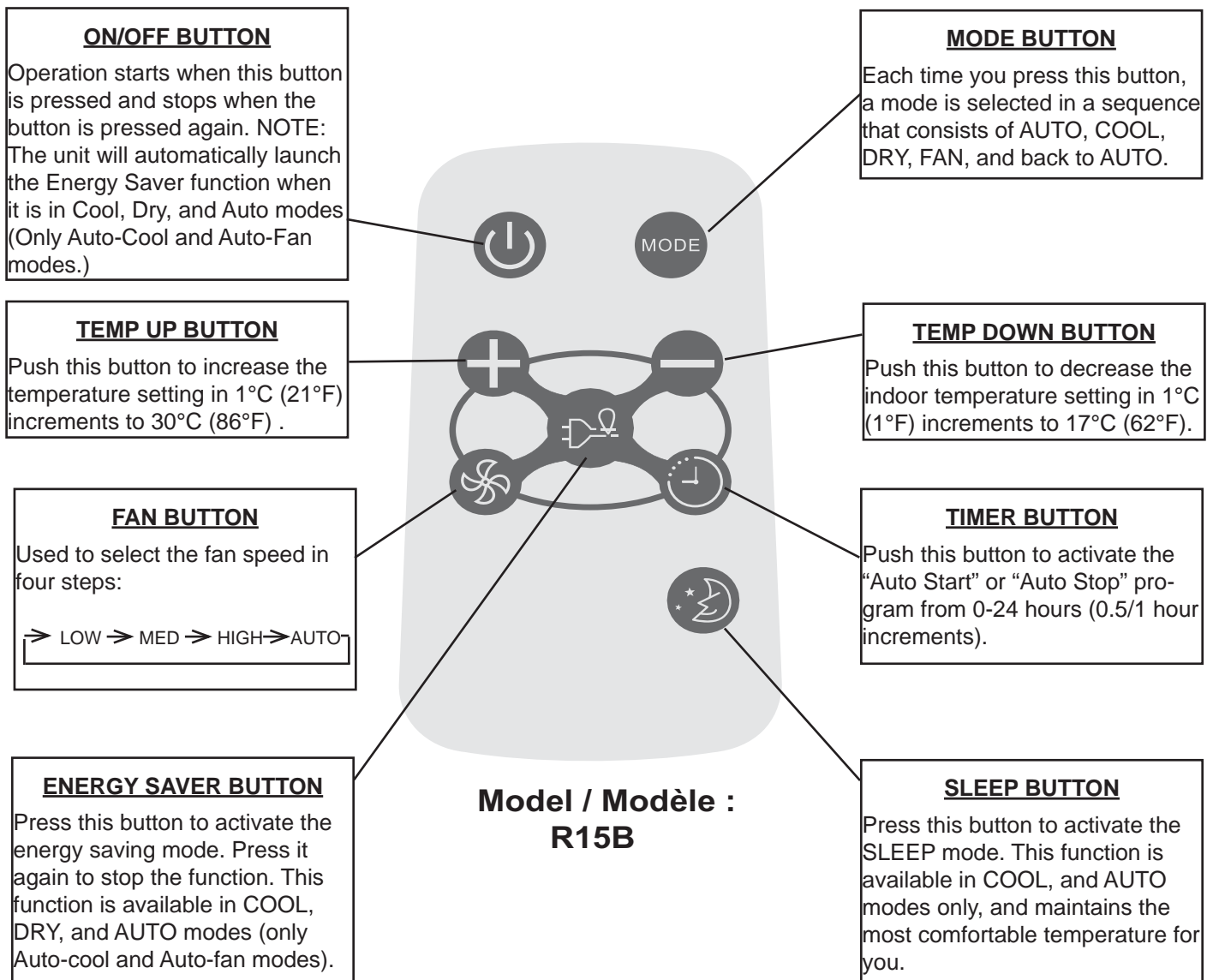
- The air conditioner will not operate if curtains, doors or other materials block the signals from the remote controller to the indoor unit.
- Prevent any liquid from falling into the remote controller. Do not expose the remote controller to direct sunlight or heat.
- If the infrared signal receiver on the indoor unit is exposed to direct sunlight, the air conditioner may not function properly. Use curtains to prevent the sunlight from falling on the receiver.
- If other electrical appliances react to the remote controller, either move these appliances or call the service depot.



OPERATING INSTRUCTIONS

REMOTE CONTROLLER SPECIFICATIONS

Model	R15B
Rated Voltage	3.0V
Battery Type	Button cell: CR2025
Battery Quantity	1pcs
Lowest Voltage of CPU Emitting Signal	2.0V
Signal Receiving Range	8m
Environment	-8°C to 60°C (18°F to 140°F)

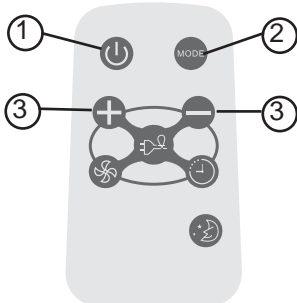




OPERATING INSTRUCTIONS

USING THE REMOTE CONTROLLER BUTTONS

AUTO OPERATION



Model / Modèle :
R15B

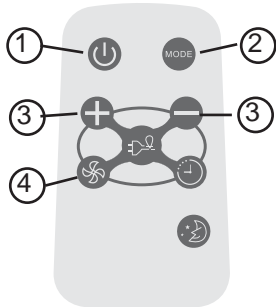
Ensure the unit is plugged in and power is available.

1. Press the ON/OFF button to start the air conditioner.
2. Press the mode button and select AUTO.
3. Press the TEMP + / - button to set the desired temperature. The temperature can be set within a range of 17°C (62°F) to 30°C (86°F) in 1°C (1°F) increments.

NOTE:

1. In the auto mode, the air conditioner can logically choose the mode of Cool, Fan, Dehumidifying by sensing the difference between the actual ambient room temperature and the set temperature on the remote controller.
2. In Auto mode, you cannot change the fan speed. It has already been automatically controlled.
3. If the Auto mode is not comfortable for you, the desired mode can be selected manually.

COOLING / FAN OPERATION



Model / Modèle :
R15B

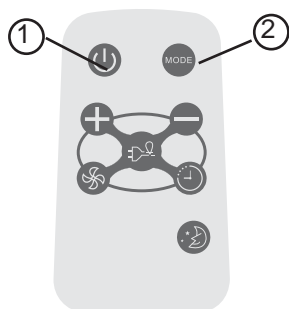
Ensure the unit is plugged in and power is available.

1. Press the ON/OFF button to start the air conditioner.
2. Press the MODE button to select Cool mode.
3. Press the TEMP +/- button to set the desired temperature. The temperature can be set within a range of 17°C (62°F) to 30°C (86°F) in 1°C (1°F) increments.
4. Press the FAN button to select the fan speed in four-steps, LOW, MED, HIGH or AUTO.

NOTE:

In the FAN mode, the setting temperature is not displayed in the remote controller and you are not able to control the room temperature either. In this case, only step 1, 2 and 4 may be performed.

DEHUMIDIFYING OPERATION



Model / Modèle :
R15B

Ensure the unit is plugged in and power is available.

1. Press the ON/OFF button to start the air conditioner.
2. Press the MODE button to select Dehumidifying mode.

NOTE:

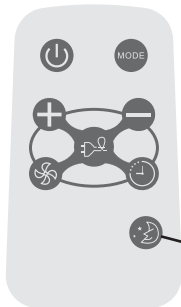
In the Dehumidifying mode, you cannot change the fan speed. It has already been automatically controlled.



OPERATING INSTRUCTIONS

USING THE REMOTE CONTROLLER BUTTONS

SLEEP OPERATION

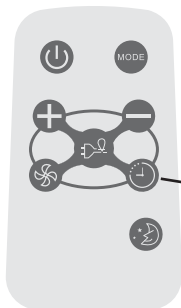


Model / Modèle :
R15B

- In this mode, the selected temperature will increase (when in cooling mode) by 1°C (2°F) one half-hour after sleep mode has been selected.
- The temperature will increase by another 1°C (2°F) after an additional half-hour.
- This new temperature will be maintained for 6 hours before returning to the originally selected temperature. This ends the Sleep mode and the unit will continue to operate as originally programmed.
- The Sleep mode program can be cancelled at any time during operation by pressing the Sleep button again.

TIMER OPERATION

Pressing the TIMER button can set the Auto-start and Auto-stop time of the unit.



Model / Modèle :
R15B

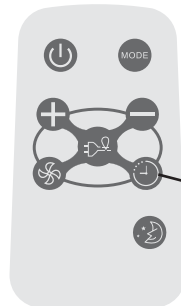
NOTE:

- To set Auto-start time, the unit must be in the OFF position.
- To set Auto-stop time, the unit must be in the ON position.

To set the Auto-start time

1. Push the TIMER button when the unit is off; only the Auto-start feature can be set.
2. Keep pressing the TIMER button. Each time pressed, will increase the selected time by 0.5 hour increments. When the selected time has added up to 10 hours, each time pressed will increase the selected time by 1 hour increments, up to 24 hours.
3. The time can be set in the range of 0-24 hours.
4. After the desired time has been selected, wait for about 10 seconds, until the setting temperature reappears in the display window of the air conditioner. This indicates that the program has been set.

TIMER OPERATION



Model / Modèle :
R15B

To set the Auto-stop time

1. Push the TIMER button when the unit is operational; only the Auto-stop feature can be set.
2. Keep pressing the TIMER button. Each time pressed will increase the selected time by 1 hour increments, up to 24 hours.
3. The time can be set in a range of 0-24 hours.
4. After the desired time has been selected, wait for about 10 seconds, until the setting temperature reappears in the display window of the air conditioner. This indicates that the program has been set.

NOTE:

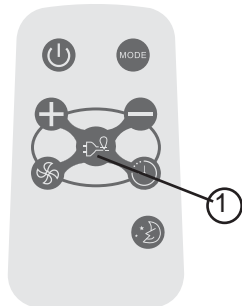
To cancel the TIMER setting, push the TIMER button until "0 hours" is displayed on the LCD window of the air conditioner.



OPERATING INSTRUCTIONS

USING THE REMOTE CONTROLLER BUTTONS

ENERGY SAVER OPERATION



Model / Modèle :
R15B

This function is available in Cool, Dry, and Auto modes (only Auto-Cool and Auto-Fan modes). The fan will continue to run for 3 minutes after the compressor has shut off. The fan then cycles on for 2 minutes at 10 minute intervals, until the room temperature is above the set temperature. At this point, the compressor turns back on and cooling starts.

- Protect the remote control from high temperatures, and keep it away from radiation exposure.
- Keep the control panel receiver out of direct sunlight.
- If the remote control will not be used for extended periods of time (vacations etc.), the battery should be removed.
- This Class B digital apparatus complies with the Canadian ICES-003 standard.
- The remote operates within a range of 8 meters (26 ft.) from the receiver located inside the main unit. Any obstruction between the receiver and remote may cause signal interference, limiting the ability to program the main unit.

Note: This equipment has been tested and found to comply with the limits for a Class B digital device, pursuant to Part 15 of the FCC Rules. These limits are designed to provide reasonable protection against harmful interference in a residential installation. This equipment generates, uses and can radiate radio frequency energy and, if not installed and used in accordance with the instructions, may cause harmful interference to radio communications. However, there is no guarantee that interference will not occur in a particular installation. If this equipment does cause harmful interference to radio or television reception, which can be determined by turning the equipment off and on, the user is encouraged to try to correct the interference by one or more of the following measures:

1. Reorient or relocate the receiving antenna.
2. Increase the separation between the equipment and receiver.
3. Connect the equipment into an outlet on a circuit different from that to which the receiver is connected.
4. Consult the dealer or an experienced radio/TV technician for help. Changes or modifications not approved by the party responsible for FCC compliance could void the user's authority to operate the equipment.

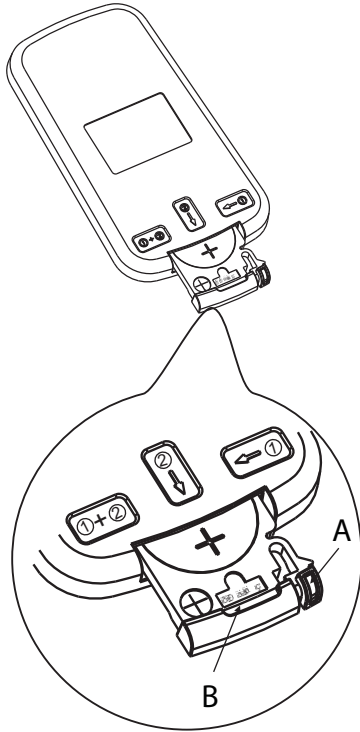
This appliance complies with Part 15 of the FCC Rules. Operation is subject to the following two conditions:

1. This device may not cause harmful interference.
2. This device must accept any interference received, including interference that may cause undesired operation.

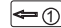

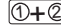


OPERATING INSTRUCTIONS

CHANGING THE BATTERY ON THE REMOTE



The remote controller is powered by one button cell housed in the rear part and protected by a cover. Remove the button cell according to the arrow marked at the back of the remote controller.

-  1. Slightly press "A" position according to the number 1 arrow direction by your forefinger.
-  2. Press "B" position and pull it according to the number 2 arrow direction by your thumb.
-  3. The above step 1 and 2 should be done simultaneously to slide the button cell out.



INSTALLATION INSTRUCTIONS



ELECTRIC SHOCK HAZARD

To avoid the possibility of personal injury, disconnect power to the unit before installing or servicing.

NOTE: Your Room Air Conditioner is designed for easy installation in a single or double-hung window. This unit is NOT designed for vertical (slider type) windows and/or through-the-wall applications.

TOOLS NEEDED FOR INSTALLATION:

- Screwdrivers: Phillips and flat head.
- Power Drill: 1/8in. (3.2mm) diameter drill bit
- Pencil
- Measuring Tape
- Scissors
- Carpenter's Level



INSTALLATION INSTRUCTIONS

BEFORE INSTALLING

- Check window opening size against dimensions of your unit.
- Check condition of window; all wood parts of the window must be in good shape and able to firmly hold the needed screws. If not, make repairs before installing unit.
- Check for anything that could block airflow; check area outside window for things such as shrubs, trees, or awnings. Inside, be sure furniture, drapes or blinds will not stop proper air flow.
- Carefully unpack air conditioner. Remove all packing material, and check for all included installation hardware.

Model type:	DAC250EC/UB1GDB	DAC150EC/UB1GDB DAC180EC/UB1GDB
Unit height:	18 5/8"	17 5/8"
Unit width:	26 1/2"	23 5/8"
Min. window opening:	19 1/2"	18 1/2"
Min. window width:	31"	26 1/2"
Max. window width:	42"	40 1/2"

Fig. 1 INSTALLATION HARDWARE		
	7/16" locking screw & flat washer for window panels	2 each
	1/2in.(13mm) long Hex-head screw	4
	Safety Lock	1
	1/2in.(12.7mm) long Hex-head screw and locknut	4 each
	3/4" long flat head bolt and locknut	2 each
	Sill Angle Bracket	2
	5/16in. long Hex-head locking screw for top angle side retainer.	10
	13/16in. (20mm) screw	2
	Frame lock	2
	Foam insert	2
	Window sash seal foam	1



INSTALLATION INSTRUCTIONS

LOCATION

1. This room air conditioner is designed to fit easily into a single or double hung window. However, since window designs vary, it may be necessary to make some modifications for safe, proper installation.
2. Make sure window and frame are structurally sound and free from dry and rotted wood.
3. For maximum efficiency, install the air conditioner on a side of the house or building which favours more shade than sunlight. If the unit is in direct sunlight, it is advisable to provide an awning over the unit.
4. Provide sufficient clearance around the cabinet to allow for ample air circulation through the unit (**See Fig. 2**). The rear of the unit should be outdoors. It should not be in a garage, or inside a building. Keep unit as far away as possible from obstacles/obstructions and at least 30 in. (76 cm) above the floor or ground. Curtains and other objects within the room should be prevented from blocking the air flow.
5. Be certain that the proper electrical outlet is within reach of the installation. Use only a single outlet circuit rated at 15 amps. All wiring should be in accordance with local and national electrical codes.
6. DO NOT install unit where leakage of combustible gas is suspected. Your air conditioner may fail to operate in air containing oils (including machine oils), sulfide gas, near hot springs, etc.

NOTE: Your unit is designed to evaporate condensation under normal conditions. However, under extreme humidity conditions, excess condensation may cause basepan to overflow to the outside. The unit should be installed where condensation run-off cannot drip on pedestrians or neighbouring properties.

NOTE: It is normal for your unit to drip a small amount of water, especially on excessively humid days.

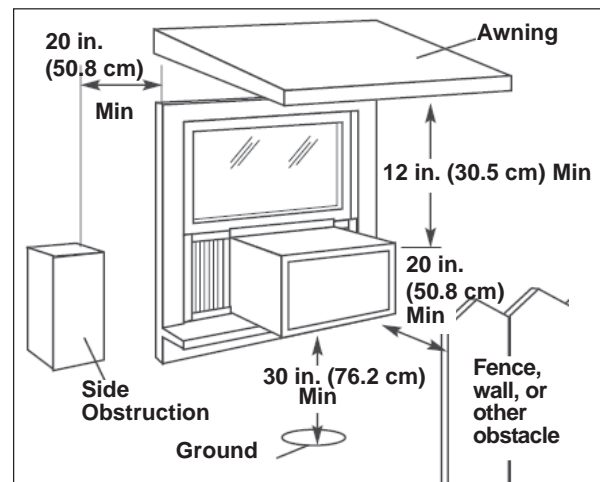
NOTE: Save the shipping carton and packing materials for future storage or transportation. From the carton, remove the plastic bag containing the installation hardware kit necessary for the installation of your air conditioner. Please check the contents of the hardware kit against the corresponding model check list, prior to installation.

NOTE: Your Room Air Conditioner is designed for easy installation in a single or double-hung window. This unit is NOT designed for vertical (slider type) windows and/or through-the-wall applications.

CAUTION

Because the compressor is located on the controls side of the unit (left side), this side will be heavier and more awkward to manipulate. Inadequate support on control side of the unit and property. Therefore, it is recommended that you have someone assist you during the installation of this unit.

Fig. 2





INSTALLATION INSTRUCTIONS

WINDOW MOUNTING

1 Remove Chassis:

1. Pull down front panel and remove filter (See Fig. A).
2. Lift front panel upwards and place to one side.
3. Locate the four (4) front screws and remove (Fig. B). These screws will be needed to re-install the front later.
4. Pry away the front panel from the cabinet sides as shown in Fig. C.

Fig. A

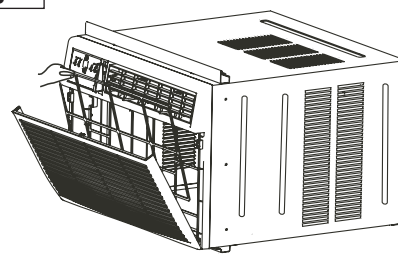


Fig. C

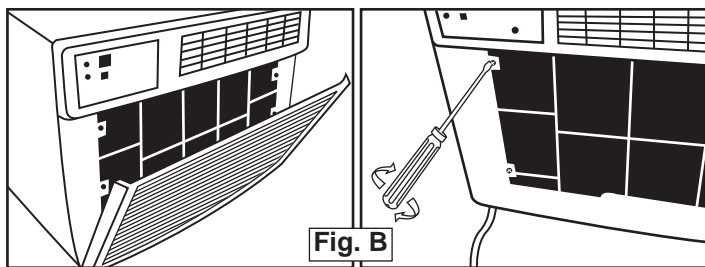
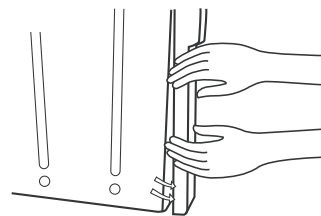


Fig. B

5. Gently lift front off unit and place to one side (See fig. D)
6. Remove shipping screw from top of unit and also on the side by the base if installed.
7. Hold the cabinet while pulling on the base handle, and carefully remove the chassis from the cabinet.
8. Add two foam inserts to holes in top of cabinet where shipping screws were removed from (See fig. E).
9. Your unit may come with internal packaging. This packaging must be removed prior to installing the air conditioner back into the cabinet.

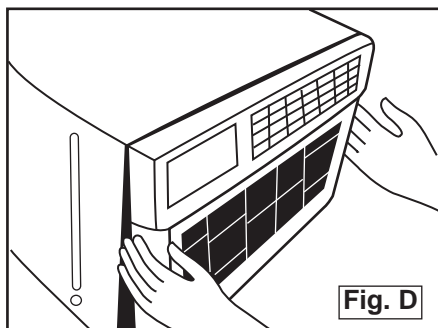


Fig. D

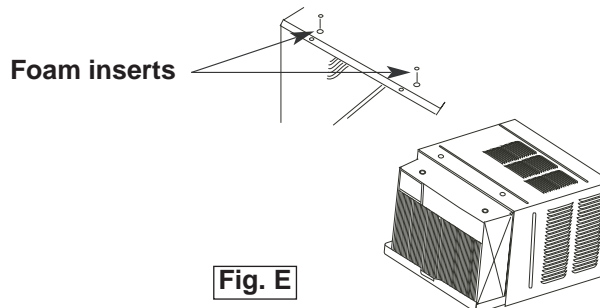


Fig. E



INSTALLATION INSTRUCTIONS

2 Install Top Angle and Side Bracket:

1. Attach foam gasket to top angle above holes as shown in Fig. F.
2. Install top angle and side retainers to cabinet as shown in Fig. F.

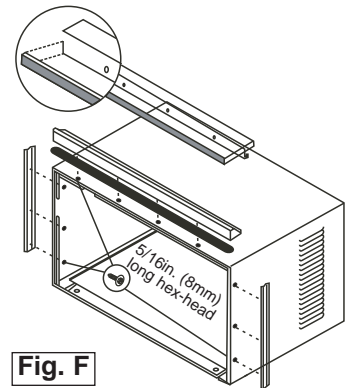
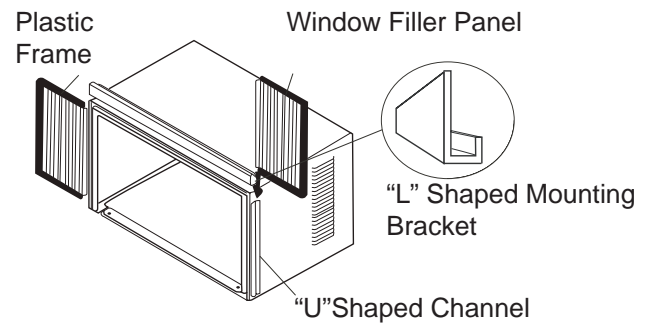


Fig. F

3 Assemble Window Filler Panels (see Fig. G):

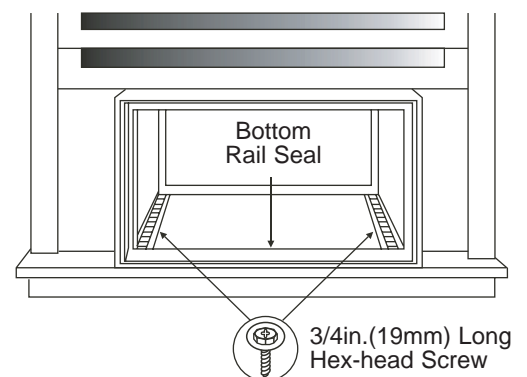
1. Place cabinet on floor, a bench, or table.
2. Slide the window filler panel frame into the top (L shaped) and bottom (U shaped) channels. The shutters are identified (on the frame) as left and right.
3. Insert washer head locking screws (2) into holes in top leg of filler panel frame. Do not totally tighten. Allow left to slide freely. Screws will be tightened later.



4 Install Top Angle and Side Bracket:

1. Open window and mark center of window sill.
2. Place cabinet in window with lower "U" channel of cabinet firmly seated over window sill. Bring window down temporarily behind top "L" bracket to hold cabinet in place.
3. Shift cabinet left or right as needed to line up center of cabinet on centre line marked on window sill.
4. Fasten cabinet to window sill with 2 screws (you may want to pre-drill holes).
5. Add bottom rail seal over screws to window sill. See Fig. H.

Fig. H

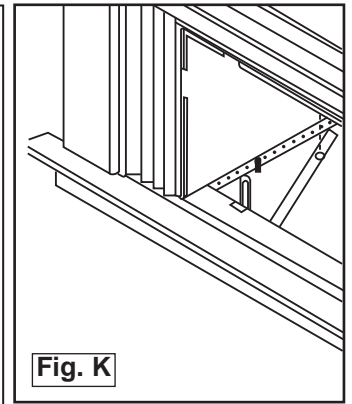
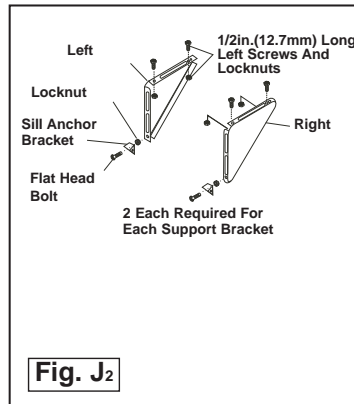
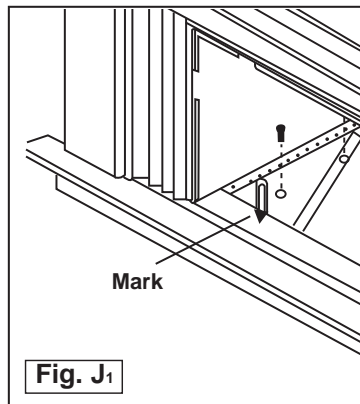
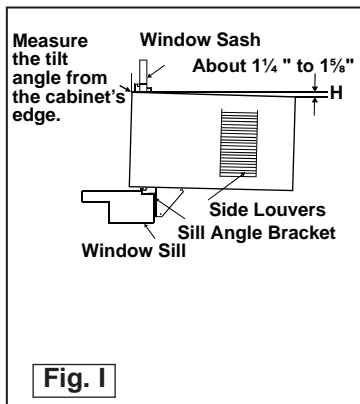




INSTALLATION INSTRUCTIONS

5 Install Support Bracket:

1. Hold each support bracket flush against outside of sill, and tighten to bottom of cabinet as shown in Fig. J₁. Mark brackets at top level of sill, and remove.
2. Assemble sill anchor bracket to outside support legs at the market position, as seen in Fig. J₂ · Hand tighten, but allow for any changes later. NOTE: Check that air conditioner is tilted downwards to the outside, about 3° to 4°, as shown in Fig. I. After installation, condensed water should not drain from the overflow drain hole during normal use. If you notice water leaking out, check the angle of tilt, and make any necessary adjustments. However, on a very humid day, water leakage can occur- this is normal. Measure the tilt angle from the cabinet's edge . The distance H should be approximately 1 1/4" to 1 5/8".
3. Install support brackets (with sill anchor brackets attached) to correct hole in bottom of cabinet as shown in Fig. K.
4. Tighten all 6 bolts securely.



6 Extend Window Filler Panels

1. Extend panels to fill window opening completely. Secure the shutter clamp on each side of the (upper) shutter and secure to window sill using one 7/16in. (12mm) locking screw and flat washer on each side. (Fig. L).
2. Attach frame lock to window sill using one 13/16in. (20mm) screw on each side as shown in Fig. L.
3. Close window behind "L" bracket as seen in Fig. L.

7 Install Window Lock and Sash Seal

1. Trim sash seal to fit window width. Insert into space between upper and lower sashes (Fig. M).
2. Attach right angle safety lock as shown in Fig. M.

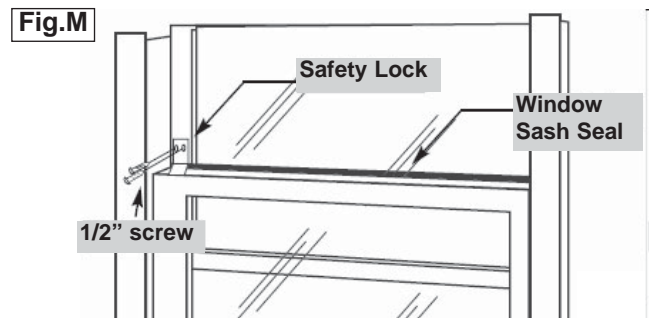
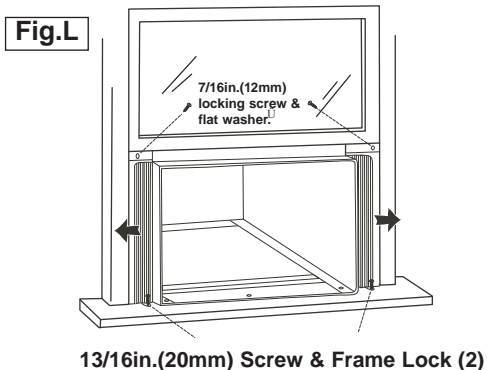


INSTALLATION INSTRUCTIONS

8

Install Chassis into Cabinet and Install:

1. Lift chassis and carefully slide into cabinet, leaving 6 inches protruding.
2. DO NOT push on controls or coils.
3. Be sure the chassis is firmly seated towards rear of cabinet.
4. Installation of front is the reverse of removal, outlined in section 1 ("Remove Chassis")



CARE AND MAINTENANCE

CAUTION

Before cleaning or servicing this unit, disconnect from any electrical supply outlets to prevent possible shock or fire hazard.

- DO NOT use gasoline, benzene, thinner, or any other chemicals to clean this unit, as these substances may cause damage to the finish and deformation of plastic parts.
- Never use harsh cleaners, wax or polish on the cabinet front.

CLEANING THE AIR FILTER

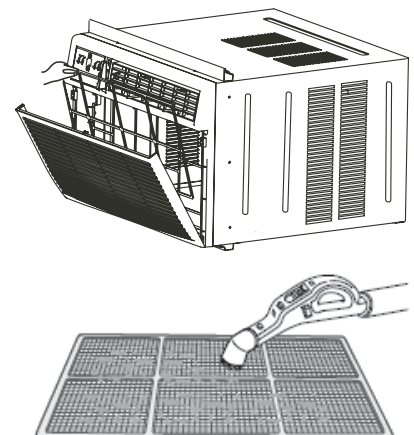
The air filter should be checked at least once a month to see if cleaning is necessary. Trapped particles in the filter can build up and cause accumulation of frost on the cooling coils.

- Push the vent handle to the vent closed position.
- Open the front panel.
- Grasp the filter, pull up and out.
- Wash the filter using liquid dishwashing detergent and warm water. Rinse filter thoroughly.
- Gently shake excess water from the filter. Be sure the filter is thoroughly dry before replacing.
- You may vacuum the filter to clean.

Note: Never use hot water over 40°C (104°F) to clean the air filter.

CAUTION

Never operate this unit without the air filter in place, as this may result in damage to the unit.





CARE AND MAINTENANCE

CLEANING THE CABINET

- Be sure to unplug the air conditioner to prevent shock or fire hazard. The cabinet and front may be dusted with an oil-free cloth or washed with a soft cloth dampened in a solution of warm water and mild liquid dishwashing detergent. Rinse thoroughly and wipe dry.
- Be sure to wring excess water from the cloth before wiping around the controls. Excess water in or around the controls may cause damage to the air conditioner.

WINTER STORAGE

If you plan to store the air conditioner during the winter, remove it carefully from the window according to the installation instructions. Cover it with plastic or return it to the original carton. Always store the unit in the upright position.

DISPOSAL

Check for local regulatory compliance regarding the approved and safe disposal of this appliance.



TROUBLESHOOTING

Occasionally a problem may arise that is minor in nature, and a service call may not be necessary. Use this troubleshooting guide for a possible solution. If the unit continues to operate improperly, call an authorized service depot or Danby's Toll Free Number **1-800-263-2629** for assistance.

PROBLEM	POSSIBLE CAUSE	SOLUTION
Unit does not work	<ul style="list-style-type: none"> • Power is out • The plug is not plugged in properly • Plug current device tripped • Control is off 	<ul style="list-style-type: none"> • Wait for power to return • Plug in properly • Press the reset button after resolving problem • Turn control ON and set to desired setting
Air from unit does not feel cold enough	<ul style="list-style-type: none"> • Room temp. below 17°C (62°F) • Temp. sensing element touching cold coil (behind air filter) • Temp. set too high • Compressor shut off by changing modes 	<ul style="list-style-type: none"> • Will not cool until room temp. rises above 17°C (62°F) • Straighten tube away from coil • Reset to a lower temp. • Wait approx. 3 minutes and listen for compressor to restart when in cool mode
Air conditioner cooling but room is too warm- ice forming on cooling coil behind decorative front	<ul style="list-style-type: none"> • Outdoor temp. below 17°C (62°F) • Air filter may be dirty • Thermostat too cold for night-time cooling 	<ul style="list-style-type: none"> • To defrost coil, set to FAN ONLY • Clean filter as per instructions • Set temp. to a higher setting
Air conditioner cooling but room is too warm- NO ice forming on cooling coil behind decorative front	<ul style="list-style-type: none"> • Dirty air filter - air restricted • Temp. is set too high • Air directional louvers positioned improperly • Front of unit blocked (i.e. by drapes), restricting air distribution • Doors, windows, registers etc. open, cold air escaping • Unit recently turned on in hot room 	<ul style="list-style-type: none"> • Clean air filter • Set to lower temp. • Position louvers for better air distribution • Clear blockage in front of unit • Close doors, windows, registers • allow additional time to remove "stored heat" from room
Air conditioner turns on and off rapidly	<ul style="list-style-type: none"> • Dirty air filter - air restricted • Outside temp. extremely hot 	<ul style="list-style-type: none"> • Clean air filter • Set fan speed to higher setting to bring air past cooling coils more frequently
Noise when unit is cooling	<ul style="list-style-type: none"> • Air movement sound • Window vibration 	<ul style="list-style-type: none"> • This is normal. If too loud, set to slower fan setting • Poor installation-refer to installation instructions or check with installer
Water dripping INSIDE when unit is cooling	<ul style="list-style-type: none"> • Improper installation 	<ul style="list-style-type: none"> • Tilt air conditioner slightly to the outside to allow water drainage
Water dripping OUTSIDE when unit is cooling	<ul style="list-style-type: none"> • Unit removing large quantity of moisture from humid room 	<ul style="list-style-type: none"> • This is normal during excessively humid days
Remote sensing deactivating prematurely	<ul style="list-style-type: none"> • Remote control not located within range • Remote control signal obstructed 	<ul style="list-style-type: none"> • Place remote control within 8 meters (20 Ft.) and 180° radius of front of the unit • Remove obstruction
Room too cold	<ul style="list-style-type: none"> • Set temperature too low 	<ul style="list-style-type: none"> • Increase set temperature

LIMITED IN-HOME APPLIANCE WARRANTY

This quality product is warranted to be free from manufacturer's defects in material and workmanship, provided that the unit is used under the normal operating conditions intended by the manufacturer.

This warranty is available only to the person to whom the unit was originally sold by Danby Products Limited (Canada) or Danby Products Inc. (U.S.A.) (hereafter "Danby") or by an authorized distributor of Danby, and is non-transferable.

TERMS OF WARRANTY

Plastic parts, are warranted for thirty (30) days only from purchase date, with no extensions provided.

First year During the first twelve (12) months, any functional parts of this product found to be defective, will be repaired or replaced, at warrantor's option, at no charge to the ORIGINAL purchaser.

To obtain service Danby reserves the right to limit the boundaries of "In Home Service" to the proximity of an Authorized Service Depot. Any appliance requiring service outside the limited boundaries of "In Home Service", it will be the consumer's responsibility to transport the appliance (at their own expense) to the original retailer (point of purchase) or a service depot for repair. See "Boundaries of In Home Service" below. Contact your dealer from whom your unit was purchased, or contact your nearest authorized Danby service depot, where service must be performed by a qualified service technician. If service is performed on the units by anyone other than an authorized service depot, or the unit is used for commercial application, all obligations of Danby under this warranty shall be void.

Boundaries of in-home service If the appliance is installed in a location that is 100 kilometres (62 miles) or more from the nearest service centre your unit must be delivered to the nearest authorized Danby Service Depot, as service must only be performed by a technician qualified and certified for warranty service by Danby. Transportation charges to and from the service location are not protected by this warranty and are the responsibility of the purchaser.

Nothing within this warranty shall imply that Danby will be responsible or liable for any spoilage or damage to food or other contents of this appliance, whether due to any defect of the appliance, or its use, whether proper or improper.

EXCLUSIONS

Save as herein provided, by Danby, there are no other warranties, conditions, representations or guarantees, express or implied, made or intended by Danby or its authorized distributors and all other warranties, conditions, representations or guarantees, including any warranties, conditions, representations or guarantees under any Sale of Goods Act or like legislation or statute is hereby expressly excluded. Save as herein provided, Danby shall not be responsible for any damages to persons or property, including the unit itself, howsoever caused or any consequential damages arising from the malfunction of the unit and by the purchase of the unit, the purchaser does hereby agree to indemnify and hold harmless Danby from any claim for damages to persons or property caused by the unit.

GENERAL PROVISIONS

No warranty or insurance herein contained or set out shall apply when damage or repair is caused by any of the following:

- 1) Power failure.
- 2) Damage in transit or when moving the appliance.
- 3) Improper power supply such as low voltage, defective house wiring or inadequate fuses.
- 4) Accident, alteration, abuse or misuse of the appliance such as inadequate air circulation in the room or abnormal operating conditions (extremely high or low room temperature).
- 5) Use for commercial or industrial purposes (i.e., If the appliance is not installed in a domestic residence).
- 6) Fire, water damage, theft, war, riot, hostility, acts of God such as hurricanes, floods etc.
- 7) Service calls resulting in customer education.
- 8) Improper Installation (i.e., building-in of a free standing appliance or using an appliance outdoors that is not approved for outdoor application). Proof of purchase date will be required for warranty claims; so, please retain bills of sale. In the event warranty service is required, present this document to our AUTHORIZED SERVICE DEPOT.

Warranty Service
In-home

Danby Products Limited
PO Box 1778, Guelph, Ontario, Canada N1H 6Z9
Telephone: (519) 837-0920 FAX: (519) 837-0449

1-800-263-2629
07/14

Danby Products Inc.
PO Box 669, Findlay, Ohio, U.S.A. 45840
Telephone: (419) 425-8627 FAX: (419) 425-8629

BIENVENUE

Bienvenue dans la famille Danby. Nous sommes fiers de la qualité de nos produits et nous croyons fermement au service par une assistance fiable. Vous le découvrirez à la lecture de ce guide facile d'utilisation et vous en aurez la confirmation par notre service d'assistance à la clientèle. Mais ce qui est encore mieux, vous pourrez bénéficier de ces avantages à chaque utilisation de votre appareil. Ceci est important parce que votre nouvel appareil fera partie de votre famille pour longtemps.

À titre de référence, vous pouvez agraffer à cette page une copie de votre fiche d'achat de l'appareil. Inscrivez les renseignements suivants fournis (sur la plaque signalétique du fabricant sur le côté droit de l'appareil au-dessus du cordon d'alimentation).

Veillez noter les informations ci-dessous; ces renseignements seront nécessaires si votre appareil a besoin d'entretien ou pour les demandes de renseignements généraux. Pour bénéficier d'une opération de maintenance ou de dépannage, le reçu original sera exigé.

REMARQUE : CET APPAREIL N'A PAS ÉTÉ CONÇU POUR UNE INSTALLATION À TRAVERS UNE PAROI MURALE.

Numéro de modèle : _____

Numéro de série : _____

Date d'achat : _____

BESOIN D'ASSISTANCE ?

Veillez trouver quelques conseils avant de faire appel à nos services, cela nous aidera à mieux vous servir :

Lisez ce guide :

Il comprend des instructions pour l'utilisation et l'entretien adapté de votre appareil.

Si votre nouvel appareil est endommagé :

Contactez immédiatement le revendeur (ou le fabricant).

Gagnez du temps et de l'argent :

Avant de faire appel à nos services, consultez à nouveau la section « Dépannage ». Cette section vous aidera à résoudre des problèmes courants.

Si une réparation est nécessaire, ne vous inquiétez pas, la solution est au bout du fil.



1-800-26-**Danby**
(1-800-263-2629)



AVERTISSEMENT :

Une fiche de mise à la terre mal branchée peut entraîner un risque d'incendie, de choc électrique ou de blessures aux personnes qui utilisent l'appareil. Si vous n'êtes pas certain que l'appareil est correctement mis à la terre, consultez un préposé du service qualifié.



Consignes de sécurité importantes

LISEZ TOUTE L'INFORMATION DE SÉCURITÉ AVANT UTILISATION

POUR VOTRE SÉCURITÉ : Lire attentivement ces instructions avant d'utiliser l'appareil.

SPÉCIFICATIONS ÉLECTRIQUES

1. Tous les câblages doivent être conformes aux codes électriques locaux et nationaux et doivent être installés par un électricien qualifié. Si vous avez la moindre question au sujet des instructions ci-dessous, contactez un électricien qualifié.
2. Vérifiez la fourniture d'alimentation électrique disponible et résolvez tout problème de câblage AVANT d'installer et de faire fonctionner cet appareil.
3. Ce climatiseur à 115V ou 230/208V utilise 11,7 ampères ou moins de puissance nominale et peut être utilisé dans toute prise de courant domestique de but général adéquatement câblée. Voir le Tableau 1 pour les spécifications pour le circuit de dérivation individuel.
4. Pour votre sécurité et votre protection, cet appareil est mis à la terre par la fiche du cordon d'alimentation lorsqu'elle est branchée dans une prise murale qui lui correspond. Si vous n'êtes pas certain que votre prise de courant murale est mise à la terre adéquatement, veuillez consulter un électricien qualifié.
5. La prise murale doit correspondre à la fiche à 3 broches sur le cordon de service fourni avec l'appareil. N'utilisez PAS de fiches d'adaptation. Voir le **Tableau 2** pour les renseignements sur les prises de courant et les fusibles.
6. La plaque signalétique sur l'appareil contient des données électriques et techniques; elle se trouve sur le côté droit de l'appareil, au-dessus du cordon d'alimentation.

TABLEAU 1

Circuit de distribution individuel suggéré

Ampères de plaque d'identification	Calibre de fil AWG*
11,7 ou moins	14

AWG- American Wire Gauge (Calibre de fil américain)

*Basé sur le fil en cuivre à une température nominale de 105°C (221°F)

TABLEAU 2

Types de fusibles et de réceptacles

Modèle	DAC150EC/UB1GDB	DAC180EC/UB1GDB	DAC250EC/UB1GDB
--------	-----------------	-----------------	-----------------

Tension nominale	125	240	250
------------------	-----	-----	-----

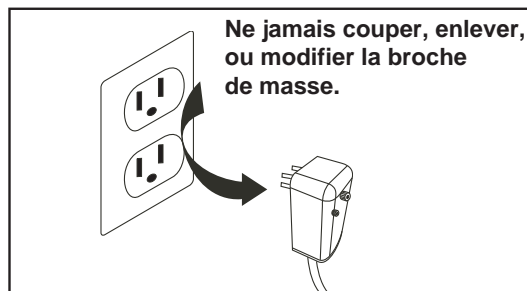
Ampères	15	15	30
---------	----	----	----

Prise de courant



Intensité de fusible	15	15	20
----------------------	----	----	----

Fusible temporisé (ou disjoncteur de circuit)			Type fiche
---	--	--	------------





Consignes de sécurité importantes

LISEZ TOUTE L'INFORMATION DE SÉCURITÉ AVANT UTILISATION

POUR VOTRE SÉCURITÉ : Lire attentivement ces instructions avant d'utiliser l'appareil.

L'ÉCONOMIE DE L'ÉNERGIE

Votre appareil ménager est conçu pour l'efficacité en économie de l'énergie. Pour le rendement maximal, observer les recommandations qui suivent.

1. Choisir un réglage du thermostat qui répond à vos besoins de confort et laisser au réglage choisi.
2. Le filtre à air est très efficace pour éliminer les particules qui flottent dans l'air. Conserver le filtre à air propre en tout temps. (Habituellement, il faut nettoyer tous les 2 semaines. Cela peut varier selon la qualité d'air.)
3. Utiliser des draperies, des rideaux ou des stores pour prévenir la pénétration et le réchauffement de la pièce par les rayons directs du soleil, mais ne pas permettre la restriction de la circulation d'air autour de l'unité par les draperies ou les rideaux.
4. Activer votre climatiseur avant que la température de l'air extérieur ne soit très chaude et inconfortable. Ceci préviendra une période initiale d'inconfort avant que l'unité ne puisse refroidir la pièce. L'usage de la caractéristique de MINUTERIE programmable d'arrêt et de mise en marche automatique représente un important avantage à cet effet si elle est utilisée à pleine capacité.
5. Quand températures externes sont suffisamment froides, placer le climatiseur hors de service et utiliser le MODE DE VENTILATEUR à la position HAUTE, MOYENNE ou BASSE. Ceci fait circuler l'air à l'intérieur de la pièce pour fournir un certain confort de climatisation en utilisant moins d'électricité.

CONTRÔLE DE L'APPAREIL

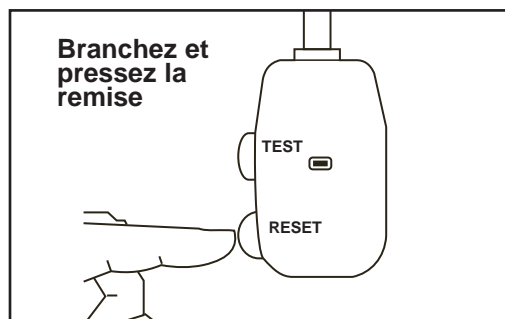
Le cordon d'alimentation fourni avec cet air conditionné contient un dispositif qui détecte les dommages au cordon. Pour tester si votre cordon d'alimentation fonctionne adéquatement, vous devez faire ce qui suit :

1. Branchez le cordon d'alimentation à prise d'alimentation électrique.
2. Le cordon d'alimentation possède deux boutons situés sur la tête de la fiche. L'un des boutons est identifié par « TEST » et l'autre bouton par « RESET ». Appuyez sur le bouton « TEST » et vous entendrez un déclic puisque le bouton « RESET » sera ressorti.
3. Appuyez sur le bouton « RESET » et vous entendrez un déclic lorsque le bouton sera enfoncé.
4. Le cordon d'alimentation est maintenant alimenté et il fournit de l'électricité à l'air conditionné. (Sur certains produits, ceci sera aussi indiqué par une lumière sur la tête de la fiche).

REMARQUE : Le cordon d'alimentation fourni avec ce climatiseur contient un dispositif de détection de fuite de courant conçu pour réduire les risques d'incendie. Advenant le cas que le cordon d'alimentation soit endommagé, il ne peut être réparé et doit être remplacé avec un nouveau cordon provenant du fabricant.

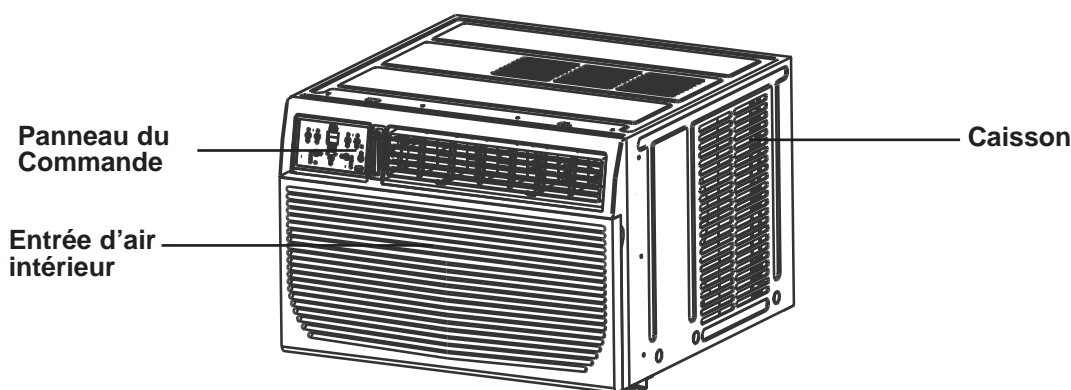
- Ce dispositif ne devrait être utilisé sous aucune circonstance pour mettre en marche ou arrêter l'unité.
- Le bouton de « RESET » doit toujours être enfoncé pour un fonctionnement normal.
- Le cordon d'alimentation doit être remplacé s'il ne se réinitialise pas lorsque le bouton « TEST » est enfoncé.

REMARQUE : Sur certaines fiches, les boutons se trouvent en haut.





CARACTÉRISTIQUES



CONTRÔLE DE L'APPAREIL

1. **Bouton MARCHÉ/ARRÊT (ON/OFF)** : Appuyez sur ce bouton pour allumer l'appareil ou l'éteindre. REMARQUE : L'appareil initiera la fonction d'Économiseur d'Énergie automatiquement, lorsque l'appareil est en modes Frais (Cool), Sec (Dry), et Auto.
2. **Boutons PLUS/MOINS (UP/DOWN) pour la température** : Pour régler la température, appuyez sur le bouton PLUS (▲) ou MOINS (▼|) ou maintenez-le enfoncé jusqu'à ce que la température voulue soit affichée. Cette température sera maintenue automatiquement entre 17°C (62°F) and 30°C (86°F). En mode Frais, la température réglée est affichée. En mode Ventilateur la température ambiante actuelle est affichée.
3. **Bouton Vitesse du ventilateur (Fan Speed)** : Choisissez entre quatre réglages de ventilateur différents : Auto, Bas, Moyen et Haut. La vitesse du ventilateur change chaque fois que vous appuyez sur le bouton.
4. **Bouton Mode** : Vous permet de choisir le mode d'opération désiré : Auto, Frais (Cool), Sec (Dry), Ventilateur (Fan). Le mode choisi sera dénoté par l'afficheur au-dessus du bouton.

Pour fonctionner en mode automatique :

- Le mode Auto est un programme pré-réglé qui choisit automatiquement le mode de fonctionnement et la vitesse du ventilateur, selon le réglage de la température. Un exemple de l'opération en mode Auto suit.
- Si vous voudriez refroidir la pièce, votre température désirée/réglée sera plus basse que la température ambiante, et le climatiseur initiera le mode de refroidissement (cool). Une fois que la température désirée de la pièce est atteinte, le climatiseur passera au mode Ventilateur (Fan), pour faire circuler l'air refroidi dans la pièce. Quand la température de la pièce augmente, l'appareil passera encore une fois dans le mode de refroidissement, et le cycle du mode Auto recommencera.

Pour fonctionner en mode sec (dry) :

- Dans ce mode, il n'est pas possible de régler le niveau d'humidité désiré; il est pré-réglé automatiquement. Le réglage par défaut de ventilateur dans le mode Sec est « bas ». Puisque le compresseur est en train de fonctionner pour enlever l'humidité de l'air, vous observez un degré de refroidissement, comme effet secondaire.

Pour fonctionner en mode Ventilateur seulement :

- Utilisez cette fonction lorsque vous n'avez pas besoin de la fonction de refroidissement, par exemple pour faire circuler l'air dans la pièce ou pour évacuer l'air vicié. N'oubliez pas d'ouvrir l'évent pendant cette fonction, mais gardez-le fermé pendant le refroidissement pour obtenir une efficacité maximale. Dans ce mode, vous pouvez choisir la vitesse du ventilateur que vous préférez. Dans le mode ventilateur, la température ne peut pas être réglée, donc l'appareil affichera la température ambiante.

5. **Économiseur d'énergie (Energy Saver)** : Cela est le réglage par défaut de ce modèle. L'appareil ajuste le ventilateur automatiquement (en marche et en arrêt) quand le compresseur n'est pas en service. Le ventilateur continuera à fonctionner pendant 3 minutes après que le compresseur s'est étendu. Après cela, le ventilateur se met en marche pendant 2 minutes, avec des intervalles de 10 minutes jusqu'à ce que la température ambiante de la chambre est plus élevée que la température choisie/réglée. À ce point-là, le compresseur se remet en marche et le refroidissement recommence. Lorsque l'appareil est en mode Economiseur d'énergie, l'afficheur au-dessus du bouton d'Économiseur d'énergie s'allumera. Pour sortir l'appareil du mode Économiseur d'énergie- l'afficheur au-dessus du bouton s'éteignera. Si vous choisissez de faire fonctionner l'appareil sans l'option d'Économiseur d'énergie, le ventilateur fonctionnera continuellement, lorsque le compresseur n'est pas en service.



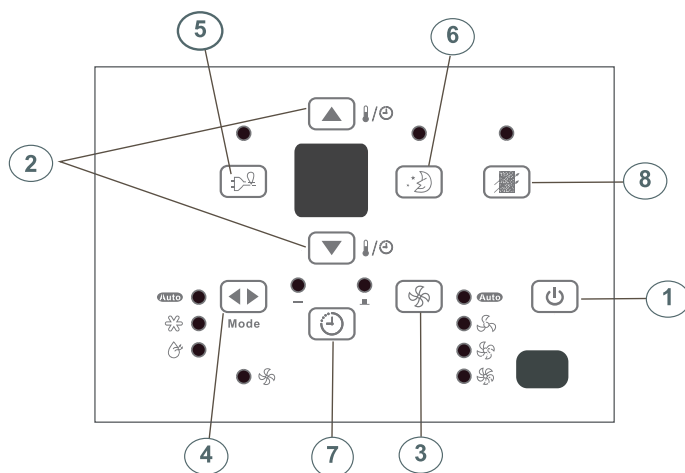
CARACTÉRISTIQUES

CONTRÔLE DE L'APPAREIL (suite)

6. **Bouton sommeil (Sleep)** : Appuyez sur ce bouton pour initier le mode Sommeil. Dans ce mode, la température sélectionnée augmente (en mode refroidissement) de 1°C (2°F) une demi-heure après la sélection du mode. La température augmentera ensuite de 1°C (2°F) supplémentaires au bout d'une autre demi-heure. Cette nouvelle température sera maintenue pendant 6 heures avant le retour à la température initialement sélectionnée. Cela met fin au mode Sommeil et l'appareil continuera de fonctionner conformément à sa programmation initiale. Le programme du mode Sommeil peut être annulé à tout moment pendant son fonctionnement en appuyant à nouveau sur le bouton Sommeil.
7. **Bouton Minuteur (Timer) (Marche/Arrêt automatique)** : Lorsque vous appuyez sur le bouton Minuteur (Timer), le voyant lumineux à côté du mot « ON » s'allume; cela indique que le programme de mise en marche automatique est amorcé. Appuyez sur les boutons PLUS (▲) ou MOINS (▼) ou maintenez-les enfoncés pour modifier l'heure automatique par intervalles de 0,5 heures jusqu'à 10 heures, puis par intervalles de 1 heure jusqu'à 24 heures. La commande effectue un compte à rebours jusqu'à l'heure du début. L'heure sélectionnée apparaît en 5 secondes et le système retourne automatiquement à l'affichage du réglage de température précédent. Le fait d'ALLUMER ou d'ÉTEINDRE l'appareil à n'importe quel moment annule la fonction de marche/arrêt automatique.
8. **Bouton Vérification du filtre (Check Filter)** : Cette fonction vous rappelle de nettoyer le filtre à air pour assurer un fonctionnement plus efficace. Le voyant DEL s'allume au bout de 250 heures de fonctionnement. Pour réinitialiser la fonction après le nettoyage du filtre, appuyez à nouveau sur le bouton Vérification du filtre (Check Filter) et le voyant s'éteindra.

FONCTIONS SUPPLÉMENTAIRES :

- Le circuit de refroidissement a un départ différé automatique de 3 minutes si l'appareil est éteint et rallumé rapidement. Cela empêche la surchauffe du compresseur et un déclenchement possible du coupe-circuit. Le ventilateur continue de fonctionner pendant cette période.
- La commande maintient la température réglée à 2° près entre 17°C et 30°C (62°F à 86°F)
- La commande peut afficher la température en degrés Celsius (°C) ou en degrés Fahrenheit (°F). Pour passer d'une échelle à l'autre, appuyez sur les boutons Plus ou Moins de la température et du minuteur (Up and Down Temp./Timer) au même moment et maintenez-les enfoncés pendant 3 secondes.



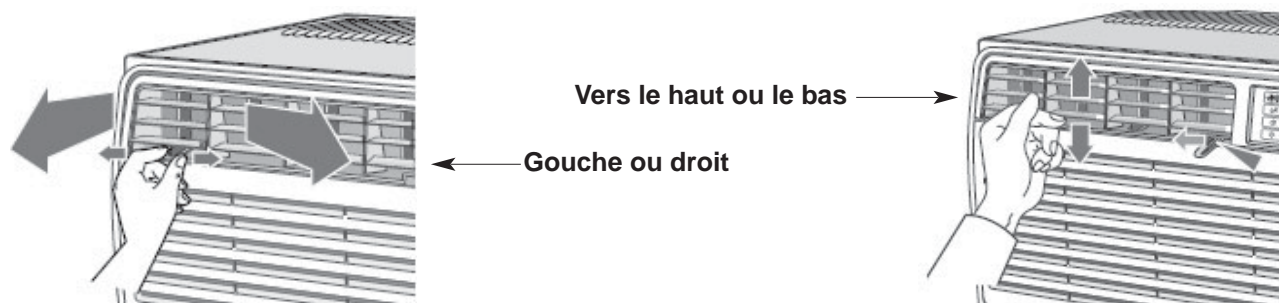


CARACTÉRISTIQUES

RÉGLAGE DU DÉBUT D'AIR

Le louveres orientables dans 4 directions vous permettent d'envoyer l'air vers le haut, le bas, la gauche ou la droite dans la pièce, au besoin.

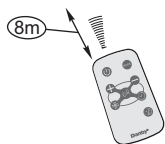
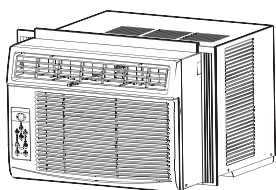
RECOMMANDATION : Pendant le refroidissement, orientez les pales vers le haut. Si vous orientez les pales vers le bas et si l'appareil fonctionne en mode Refroidissement pendant une période prolongée, il est possible que se forme de la condensation qui coulera de la surface des pales.



CONSIGNES D'UTILISATION

UTILISATION DE LA TÉLÉCOMMANDE

Emplacement de la télécommande



- Utilisez la télécommande à une distance maximale de 8 mètres de l'appareil, en l'orientant dans la direction du récepteur. La réception est confirmée par un bip sonore.

MISE EN GARDE

- Le climatiseur ne fonctionne pas si le signal envoyé par la télécommande à l'unité intérieure est bloqué par des rideaux, des portes ou d'autres matériaux.
- Ne laissez pas de liquides tomber sur la télécommande. N'exposez pas la télécommande à la chaleur ou à la lumière directe du soleil.
- Si le récepteur du signal infrarouge, qui se trouve sur l'unité intérieure est exposé à la lumière directe du soleil, il est possible que le climatiseur ne fonctionne pas correctement. Tirez les rideaux pour empêcher que la lumière ne tombe sur le récepteur.
- Si d'autres appareils électriques réagissent à la télécommande, déplacez-les ou communiquez avec l'atelier de réparation.



CONSIGNES D'UTILISATION

CARACTÉRISTIQUES DE LA TÉLÉCOMMANDE

Modèle	R15B
Tension nominale	3V (pile bouton : CR2025)
Tension la moins élevée du CPU émetteur de signal	2V
Portée de réception du signal	8 m
Environnement	De -8°C à 60°C (18°F à 140°F)

UTILISATION DE LA TÉLÉCOMMANDE

BOUTON MARCHÉ/ARRÊT

Appuyez sur ce bouton pour mettre en marche le climatiseur. Appuyer encore une fois pour arrêter l'appareil. REMARQUE : L'appareil initiera la fonction d'Économiseur d'Énergie automatiquement, lorsque l'appareil est en modes Frais, Sec, Auto (Auto-Frais et Auto Ventilateur modes seulement).

BOUTON AUGMENTER LA TEMPÉRATURE

Appuyez sur ce bouton pour augmenter le réglage de la température par intervalles de 1°C (1°F) jusqu'à 30°C (86°F).

BOUTON VENTILATEUR

Utilisé pour sélectionner la vitesse du ventilateur en quatre étapes :

⇒ BASSE ⇒ MOY ⇒ ÉLEVÉE ⇒ AUTO

BOUTON ÉCONOMISEUR D'ÉNERGIE

Appuyez sur ce bouton pour activer le mode Économiseur d'énergie. Appuyez-le encore une fois pour désactiver la fonction. Cette fonction est disponible lorsque l'appareil est en modes Frais, Sec, et Auto (Auto-Frais et Auto-Ventilateur modes seulement).

BOUTON MODE

Chaque fois que vous appuyez sur ce bouton, un mode est sélectionné dans la séquence Automatique. Refroidissement, Déhumidification et Ventilateur, pour ensuite revenir à AUTO.

BOUTON BAISSER LA TEMPÉRATURE

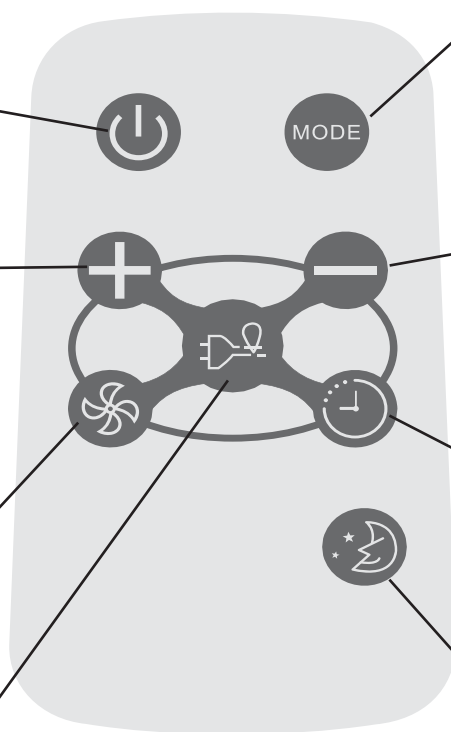
Appuyez sur ce bouton pour baisser la température intérieure par intervalles de 1°C (1°F), jusqu'à 17°C (62°F).

BOUTON MINUTERIE

Appuyez sur ce bouton pour activer les programmes « mise en marche automatique » ou « arrêt automatique » dans 0 à 24 heures (intervalles 0/5-1 heure).

BOUTON SOMMEIL

Appuyez sur ce bouton pour activer le mode SOMMEIL. Cette fonction est disponible en modes FRAIS et AUTO seulement et maintient la température la plus agréable pour vous.



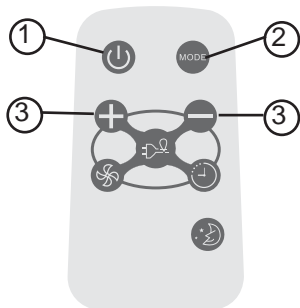
Model / Modèle :
R15B



CONSIGNES D'UTILISATION

UTILISATION DES BOUTONS DE LA TÉLÉCOMMANDE

FUNCTIONNEMENT AUTOMATIQUE



Model / Modèle :
R15B

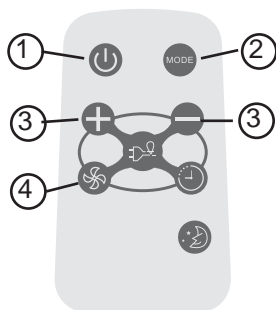
Assurez-vous que l'appareil est branché et sous tension.

1. Appuyez sur le bouton MARCHÉ/ARRÊT pour mettre le climatiseur en marche.
2. Appuyez sur le bouton Mode et sélectionnez AUTO.
3. Appuyez sur les boutons TEMP +/- pour régler la température peut être réglée entre 17°C (62°F) et 30°C (86°F), par intervalles de 1°C (1°F).

REMARQUE :

1. En mode Auto, le climatiseur peut choisir de façon logique le mode Refroidissement, Ventilateur, Chauffage et Déshumidification en détectant la différence entre la température réelle de la pièce et la température réglée au moyen de la télécommande.
2. En mode Auto, vous ne pouvez pas changer la vitesse du ventilateur. Elle est déjà contrôlée automatiquement.
3. Si le mode Auto ne vous convient pas, vous pouvez choisir manuellement le mode souhaité.

FUNCTIONNEMENT DU REFROIDISSEMENT/VENTILATEUR



Model / Modèle :
R15B

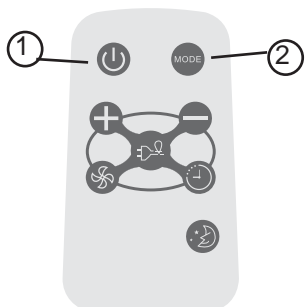
Assurez-vous que l'appareil est branché et sous tension.

1. Appuyez sur le bouton MARCHÉ/ARRÊT pour mettre le climatiseur en marche.
2. Appuyez sur le bouton MODE pour choisir le mode Refroidissement.
3. Appuyez sur les boutons TEMP +/- pour régler la température au niveau souhaité. La température peut être réglée entre 17°C (62°F) et 30°C (86°F), par intervalles de 1°C.
4. Appuyez sur le bouton VENTILATEUR pour choisir la vitesse du ventilateur en trois étapes : BASSE, MOYENNE et ÉLEVÉE.

REMARQUE :

En mode Ventilateur, la température réglée ne s'affiche pas sur la télécommande et il n'est pas non plus possible de contrôler la température de la pièce. Dans ce cas, seules les étapes 1, 2 et 4 peuvent être effectuées.

DÉSHUMIDIFICATION



Model / Modèle :
R15B

Assurez-vous que l'appareil est branché et sous tension.

1. Appuyez sur le bouton MARCHÉ/ARRÊT pour mettre le climatiseur en marche.
2. Appuyez sur le bouton Mode et sélectionnez Déshumidification.

REMARQUE :

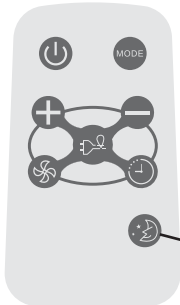
En mode Déshumidification, vous ne pouvez pas changer la vitesse du ventilateur. Elle est déjà contrôlée automatiquement.



CONSIGNES D'UTILISATION

UTILISATION DES BOUTONS DE LA TÉLÉCOMMANDE

MODE SOMMEIL

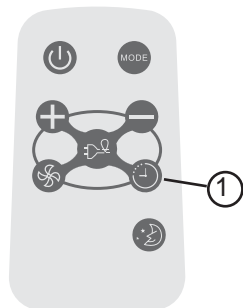


Model / Modèle :
R15B

- Dans ce mode, la température sélectionnée augmente (en mode refroidissement) de 1°C (2°F) une demi-heure après la sélection du mode.
- La température augmentera ensuite de 1°C (2°F) supplémentaires au bout d'une autre demi-heure.
- Cette nouvelle température sera maintenue pendant 6 heures avant le retour à la température initialement sélectionnée. Cela met fin au mode Sommeil et l'appareil continuera de fonctionner conformément à sa programmation initiale. Le programme du mode Sommeil peut être annulé à tout moment pendant son fonctionnement en appuyant à nouveau sur le bouton Sommeil.

MINUTERIE

Appuyez sur le bouton MINUTERIE pour régler l'heure de mise en marche automatique et d'arrêt automatique de l'appareil.



Model / Modèle :
R15B

REMARQUE :

- Pour régler l'heure de mise en marche automatique, l'appareil doit être sur la position OFF (ARRÊT).
- Pour régler l'heure d'arrêt automatique, l'appareil doit être sur la position ON (MISE EN MARCHÉ).

Pour régler l'heure de mise en marche automatique

1. Appuyez sur le bouton MINUTERIE lorsque l'appareil est éteint; seule la fonction de mise en marche automatique peut être réglée.
2. Continuez à appuyer sur le bouton MINUTERIE; chaque pression fait augmenter l'heure sélectionnée d'une heure à la fois, jusqu'à un maximum de 24 heures.
3. L'heure sélectionnée peut aller de 0 à 24.
4. Après la sélection de l'heure souhaitée, attendez environ 10 secondes, jusqu'à ce que la température réglée réapparaisse sur l'afficheur du climatiseur. Cela indique que le programme est réglé.

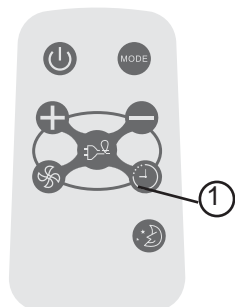
MINUTERIE

Pour régler l'heure d'arrêt automatique

1. Appuyez sur le bouton MINUTERIE lorsque l'appareil est en marche; seule la fonction d'arrêt automatique peut être réglée.
2. Continuez à appuyer sur le bouton MINUTERIE; chaque pression fait augmenter l'heure sélectionnée d'une heure à la fois, jusqu'à un maximum de 24 heures.
3. L'heure sélectionnée peut aller de 0 à 24.
4. Après la sélection de l'heure souhaitée, attendez environ 10 secondes, jusqu'à ce que la température réglée réapparaisse sur l'afficheur du climatiseur. Cela indique que le programme est réglé.

REMARQUE :

Pour annuler le réglage du minuteur, appuyez sur le bouton MINUTERIE jusqu'à ce que « 0 heure » apparaisse sur l'afficheur ACL du climatiseur.



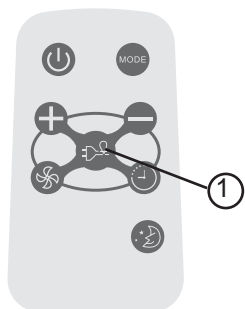
Model / Modèle :
R15B



CONSIGNES D'UTILISATION

UTILISATION DES BOUTONS DE LA TÉLÉCOMMANDE

ÉCONOMISEUR D'ÉNERGIE



Model / Modèle :
R15B

Cette fonction est disponible lorsque l'appareil est en modes Frais, Sec, et Auto (Auto-Frais et Auto-Ventilateur modes seulement). Le ventilateur continuera à fonctionner pendant 3 minutes après que le compresseur s'est étendu. Après cela, le ventilateur se met en marche pendant 2 minutes, avec des intervalles de 10 minutes jusqu'à ce que la température ambiante de la chambre est plus élevée que la température choisie/réglée. À ce point-là le compresseur se remet en marche et le refroidissement recommence.

- Protéger la télécommande contre les températures élevées et éviter l'exposition à la radiation.
- Protéger le récepteur du panneau de contrôle contre les rayons directs du soleil.
- Si la télécommande ne sera pas utilisée pour des périodes prolongées (vacances, etc.), les piles devraient être retirées de la télécommande.
- La télécommande fonctionnera en dedans d'une distance de 8 mètres (26 pi.) du récepteur situé à l'intérieur de l'unité principale. Toute obstruction entre le récepteur et la télécommande pourrait causer une interférence au signal, ce qui limiterait la capacité de programmation de l'unité principale.
- Cet appareil numérique de la classe B est conforme à la

Remarque : Cet appareil a été testé et déclaré conforme aux limites imposées aux appareils numériques de classe B, en vertu de l'alinéa 15 du règlement de la FCC. Ces limites sont destinées à assurer une gêne, utilise et peut émettre de l'énergie radiofréquence et, s'il n'est pas installée utilisé conformément aux instructions, risque de provoquer des interférences nuisibles lors de la réception d'émissions de radio ou de télévision (il suffit, pour le vérifier, d'allumer et d'éteindre successivement l'appareil); s'il constate de telles interférences, l'utilisateur devra prendre les mesures nécessaires pour les éliminer. À cette fin, il devra :

1. Réorienter ou déplacer l'antenne réceptrice.
2. Accroître la distance entre l'appareil et le récepteur.
3. Brancher l'appareil sur une prise de courant appartenant à un autre circuit que celui du récepteur.
4. Chercher de l'aide auprès du détaillant ou d'un technicien en radio ou en télévision expérimenté.

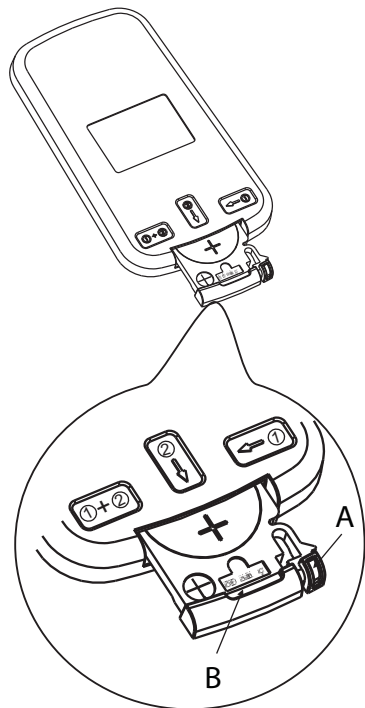
Des changements ou modifications non approuvés par l'autorité ayant confirmé la conformité de l'appareil aux règlements de la FCC pourraient faire retirer l'autorisation d'utilisation de l'appareil. Cet appareil est conforme à la Section 15 des réglementations de la FCC. Son utilisation est soumise aux deux conditions suivantes:

1. Cet appareil ne doit pas causer d'interférences nuisibles, et
2. Cet appareil doit accepter toute interférence reçue, y compris les interférences qui pourraient causer un fonctionnement non souhaité.

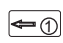

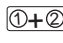


CONSIGNES D'UTILISATION

CHANGEMENT DE PILE DE LA TÉLÉCOMMANDE



La télécommande est alimentée par une pile bouton installée dans la partie arrière et protégée par un couvercle. Enlevez la pile bouton dans la direction indiquée par les flèches sur l'arrière de la télécommande.

-  1. Appuyez légèrement la position « A » avec l'index, dans la direction indiquée par la flèche 1.
-  2. Appuyez sur la position « B » avec le pouce et tirez dessus dans la direction indiquée par la flèche 2.
-  3. Les étapes 1 et 2 doivent être effectuées simultanément afin de pouvoir glisser la pile bouton hors du compartiment.



INSTRUCTIONS D'INSTALLATION



RISQUE DE CHOC ÉLECTRIQUE

Pour éviter la possibilité de blessures corporelles, débrancher l'alimentation de courant à l'unité avant d'entreprendre l'installation ou le service.

OUTILS NECESSAIRE POUR INSTALLATION

- Gros tournevis à tête plate
- Crayon
- Clés à douilles
- Niveau
- Clé ajustable ou pinces
- Ruban à mesure
- Tournevis cruciforme

REMARQUE :

Votre climatiseur de chambre a été conçu pour une installation facile dans une fenêtre à châssis à guillotine simple ou double. Cet appareil n'a pas été conçu pour des fenêtres verticales (de type coulissant) ou pour être installé à travers une paroi.




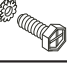
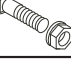
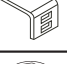
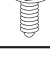
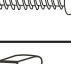





INSTRUCTIONS D'INSTALLATION

AVANT L'INSTALLATION

- Comparez les dimensions de la fenêtre ouverte aux dimensions de votre appareil.
- Vérifiez l'état de la fenêtre; toutes les parties en bois de la fenêtre doivent être en bon état et en mesure de retenir soildement toutes les vis nécessaires. Si cela n'est pas le cas, effectuez les réparations nécessaires avant d'installer l'appareil.
- Vérifiez l'absence de tout élément pouvant bloquer la circulation de l'air, par exemple, à l'extérieur, des buissons, des arbres ou des auvents. À l'intérieur, assurez-vous que le mobilier, les rideaux ou les stores ne bloquent pas la circulation de l'air.
- Déballez soigneusement le climatiseur. Enlevez tous les matériaux d'emballage et vérifiez que toutes les ferrures fournies pour l'installation sont présentes.

Type de modèle :	DAC250EC/UB1GDB	DAC150EC/UB1GDB DAC180EC/UB1GDB
Hauteur de l'unité :	18 5/8"	17 5/8"
Largeur de l'unité :	26 1/2"	23 5/8"
Ouverte de fenêtre minimale :	19 1/2"	18 1/2"
Largeur de fenêtre minimale :	31"	26 1/2"
Largeur de fenêtre maximale :	42"	40 1/2"

	Vis de blocage de et rondelle platé 7/16po (11.1mm) pour les panneaux de la fenêtre	2 chacun
	Vis à tête hexagonale de 1/2po (13mm) de longueur	4
	Loquet de sécurité	1
	Vis de 1/2po(12.7mm) longueur et contre-écrou	4 chacun
	Boulon à tête plate de 3/4 po de longueur et contre-écrou	2 chacun
	Support d'angle pour appui de fenêtre	2
	Vis de blocage à tête hexagonale de 5/6 po de longueur pour le dispositif de retenue latéral d'angle supérieur.	10
	Vis de 13/16po(20mm)	2
	Bloque-cadre	2
	Encart de mousse	2
	Isolant de mousse pour fenêtre	1



CONSIGNES D'INSTALLATION

EMPLACEMENT

1. Ce climatiseur pour chambre a été conçu pour être installé facilement dans une fenêtre à châssis à guillotine simple ou double. Cependant, comme le modèle de la fenêtre peut varier, il peut être nécessaire d'y faire quelques modifications pour une installation sécuritaire et appropriée.
2. Assurez-vous que la fenêtre et son châssis sont structurellement solides et exempts de bois sec et pourri.
3. Pour un maximum d'efficacité, installez le climatiseur sur le côté de la maison ou de l'immeuble qui se trouve plus souvent à l'ombre qu'au soleil. Si l'appareil est directement sous les rayons du soleil, installer un auvent pour protéger l'unité.
4. Laissez suffisamment d'espace libre autour du caisson pour permettre une ample circulation d'air à travers l'appareil. Voir Fig. 2. L'arrière de l'appareil doit donner sur l'extérieur de la maison et non pas dans un garage ou à l'intérieur d'un immeuble. Tenez l'appareil aussi loin que possible de tout obstacle ou obstruction et à au moins 30 po (76 cm) au-dessus du plancher ou du sol. Il ne faut pas que les rideaux ou d'autres objets à l'intérieur de la pièce puissent bloquer le flux d'air.
5. Assurez-vous que la prise électrique appropriée se trouve à la portée de l'installation. N'utilisez qu'un circuit à prise unique calculé à 15 ampères. Tout le câblage doit être conforme aux codes électriques locaux et nationaux.
6. N'installez PAS l'appareil à un endroit où on soupçonne une fuite de gaz combustibles. Votre climatiseur peut tomber en panne dans une atmosphère qui contient des huiles (y compris des huiles pour machines), des gaz sulfurés, ou s'il est près de sources d'eau chaude, etc.

REMARQUE : Votre appareil a été conçu pour que la condensation s'évapore dans des conditions normales. Cependant, en présence d'une humidité extrême, un surplus de condensation peut provoquer un débordement de la cuvette de base vers l'extérieur. L'appareil doit être installé de telle sorte que l'écoulement de la condensation ne se déverse pas sur des passants ou sur des propriétés avoisinantes.

REMARQUE : Il est normal que l'appareil coule légèrement, surtout lors des journées excessivement humides.

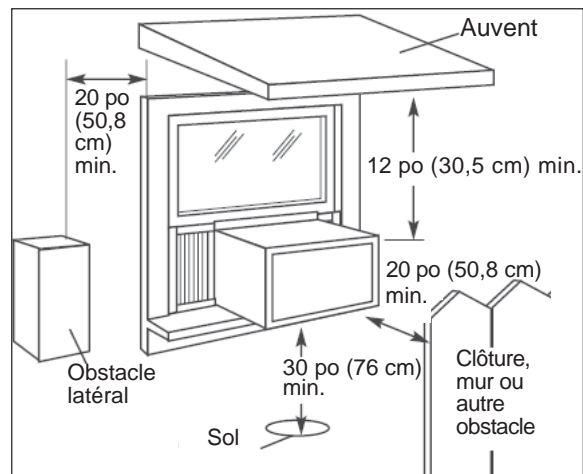
REMARQUE : Conservez le carton d'expédition et le matériel d'emballage pour futur entreposage ou transport de l'appareil. Ôtez l'appareil du carton, le sac en plastique qui contient la trousse de quincaillerie nécessaire pour l'installation de votre climatiseur. Veuillez vérifier le contenu de la trousse de quincaillerie d'installation en le comparant à la liste de vérification du modèle correspondant, et ce, avant l'installation de l'appareil. Voir Fig. 1.

REMARQUE : Votre climatiseur de chambre a été conçu pour une installation facile dans une fenêtre à châssis à guillotine simple ou double. Cet appareil n'a pas été conçu pour des fenêtres verticales (de type coulissant) ou pour être installé à travers une paroi.

MISE EN GARDE

Comme le compresseur se trouve du côté des commandes (côté gauche), ce côté est plus lourd et plus difficile à manipuler. Un soutien inapproprié du côté des commandes de l'appareil peut causer des blessures et endommager l'appareil et d'autres biens mobiliers. C'est pourquoi il est recommandé que quelqu'un vous aide au cours de l'installation de cet appareil.

Fig. 2





CONSIGNES D'INSTALLATION

FIXATION DANS LA FENÊTRE

1 Enlèvement du bâti :

1. Tirez le panneau avant vers le bas et enlevez le filtre (voir Fig. A).
2. Tirez vers le haut le panneau avant et mettez-le de côté.
3. Trouvez les quatre (4) vis avant et enlevez-les (Fig. B). Ces vis serviront à réinstaller le panneau avant plus tard.
4. Enlevez le panneau avant des parois du caisson en faisant levier Fig. C.

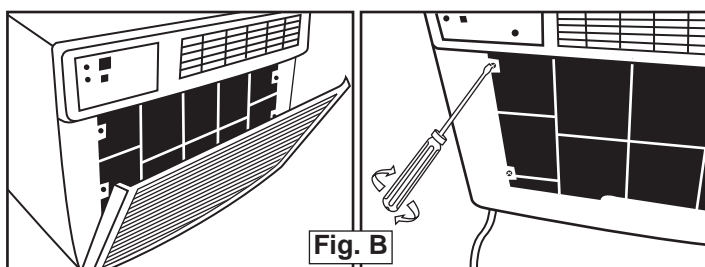


Fig. B

Fig. A

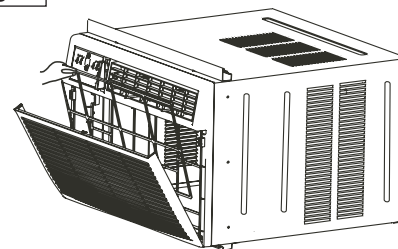
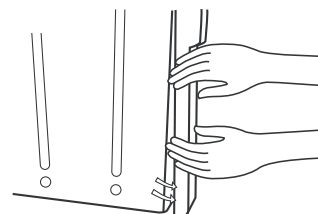


Fig. C



5. Soulevez doucement avant outre de l'unité et le placez à un côté (Voir Fig. D).
6. Enlevez les vis d'expédition du dessus de l'unité et également du côté par la base s'installé.
7. Tenez le bâti tout en tirant sur la poignée basse, et enlevez soigneusement le climatiseur de le bâti.
8. Ajoutez deux insertions de mousse aux trous dans le dessus de le bâti d'où des vis de expédition ont été enlevées (Fig. E).
9. Votre unité peut venir avec l'emballage interne. Cet emballage doit être enlevé avant d'installer le climatiseur de nouveau dans le bâti.

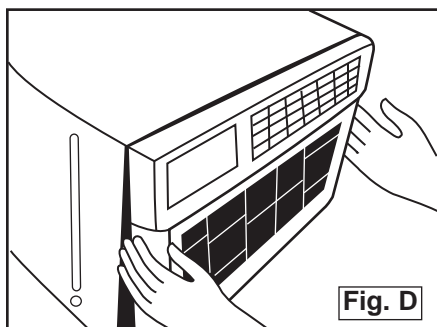


Fig. D

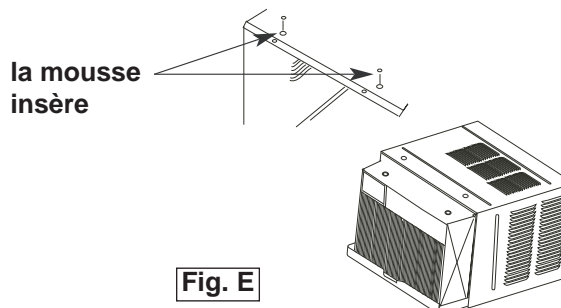


Fig. E



CONSIGNES D'INSTALLATION

2 Installer l'angle au-dessus et support côté

1. Attacher le joint de mousse pour dépasser l'angle au-dessus des trous selon Fig. F.)
2. Installer l'angle au-dessus et latéral de retenue au cabinet selon Fig. F.

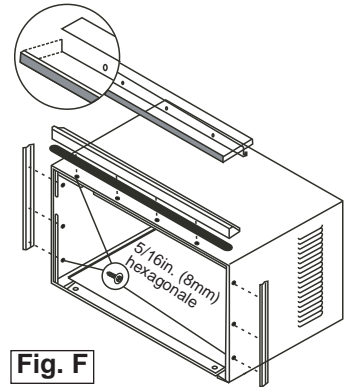


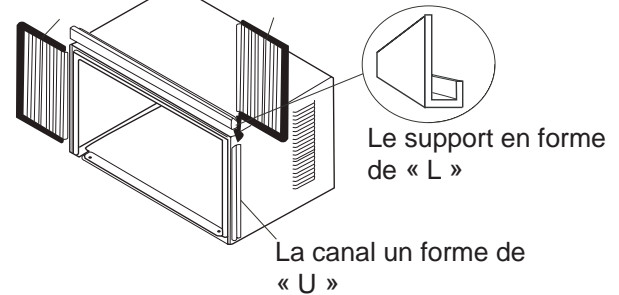
Fig. F

3 Assembler la fenêtre panneaux de remplissage (voir Fig. G) :

1. Placer le cabinet sur le plancher, un banc, ou une table.
2. Glisser la fenêtre le cadre de panneau de remplissage dans le sommet (en forme de L) et le fond (en forme d'U) les chaînes. Les volets sont identifiés (sur le cadre) comme gauche et la droite.
3. La tête de rondelle d'insertion verrouillant des vis (2) dans les trous
4. dans la première jambe de cadre de panneau de remplissage. Ne pas entièrement resserrer. Permettre à la jambe pour glisser librement. Les vis seront resserrées plus tard.

cadre en plastique

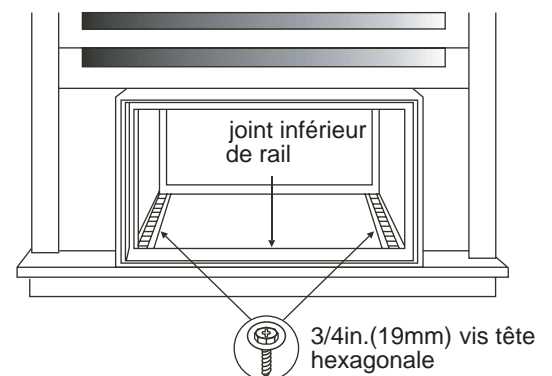
fenêtre panneaux de remplissage



4 Installez l'angle au-dessus et support côté

1. Ouvrez la fenêtre et marquez le centre du filon-couche de fenêtre.
2. Placez le cabinet dans la fenêtre avec le canal inférieur de « U » de le cabinet fermement posé audessus du filon-couche de fenêtre. Réduisez la fenêtre temporairement derrière le dessus « L » support pour tenir le cabinet en place.
3. Décalez le cabinet laissé ou droit en tant que nécessaire d'aligner le centre du cabinet sur la ligne centrale marquée sur le filon-couche de fenêtre.
4. Attachez le cabinet au filon-couche de fenêtre avec 2 vis (vous pouvez vouloir perforer des trous).
5. Ajoutez le joint inférieur de rail au-dessus des vis au filon-couche de fenêtre. See Fig. H.

Fig. H

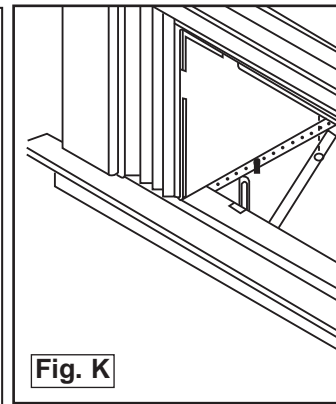
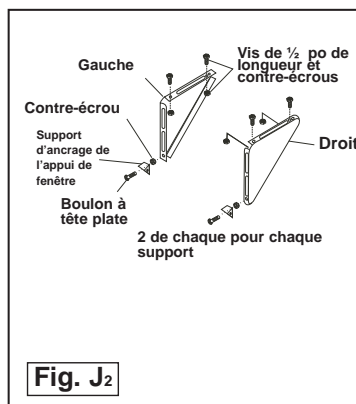
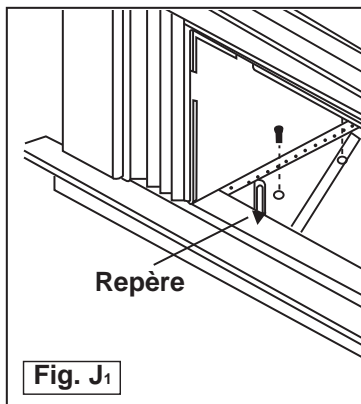
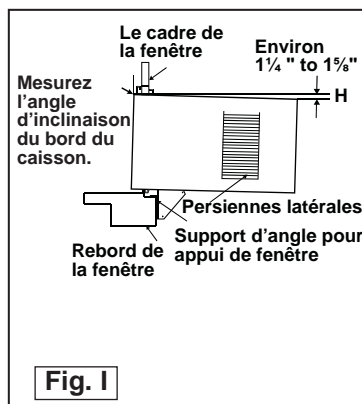




CONSIGNES D'INSTALLATION

5 Installation du support

1. Tenez chaque support au ras de l'extérieur de l'appui de fenêtre, et fixez-le contre le bas du caisson, tel qu'illustré dans la Fig. J₁. Tracez un repère pour les supports au niveau supérieur de l'appui de fenêtre, puis enlevez-les.
2. Assemblez le support d'ancrage de l'appui de fenêtre avec les pieds de support extérieurs sur la position marquée, tel qu'illustré dans la Fig. J₂. Serrez à la main, mais de manière à ce que des changements puissent être apportés ultérieurement. Assurez-vous que le climatiseur est incliné vers l'extérieur de 3 ou 4 degrés, tel que montré sur Fig. I. Lors de l'usage normal, il ne devrait jamais y avoir d'eau condensée qui s'échappe par le trou de drainage, si l'installation est bien faite. Si vous remarquez un égouttement d'eau, vérifiez l'angle d'inclinaison du climatiseur et faites les ajustements nécessaires. Par contre, il est normal d'avoir un égouttement d'eau pendant les journées très humides. Mesurez l'angle d'inclinaison du bord du caisson. L'intervalle H devrait être d'environ 1/4 à 1/8 pouce.
3. Installez les supports (sur lesquels les supports d'ancrage de l'appui de fenêtre sont fixés) dans le bon orifice dans le bas du caisson, tel qu'illustré dans la Fig. K.
4. Serrez à fond les 6 boulons.



6 Déployez les panneaux de calage de la fenêtre

1. Étendre des panneaux pour remplir l'ouverture de fenêtre complètement. Obtenir le serre-joint de volet sur chaque côté du (supérieur) le volet et obtient au rebord de fenêtre utilisant une 7/16in.(12mm) verrouillant & la rondelle plate sur chaque côté. (Fig.L)
2. Attacher la serrure de cadre au rebord de fenêtre utilisant une 13/16po.(20mm) vis sur chaque côté (Fig. L).
3. Fermez la fenêtre derrière le support en « L », tel qu'illustré dans la Fig. L.

7 Installation du loquet et du joint d'étanchéité du châssis de fenêtre

1. Coupez le joint d'étanchéité du châssis de fenêtre selon la largeur de la fenêtre. Insérez-le dans l'espace entre le châssis supérieur et le châssis inférieur (Fig. M).
2. Fixez le loquet de sécurité à angle droit tel qu'illustré dans la Fig. M.



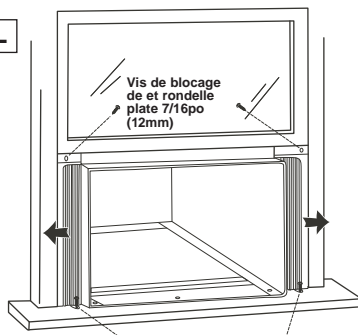
CONSIGNES D'INSTALLATION

8

Installez le bâti dans le caisson et posez le panneau avant sur l'appareil :

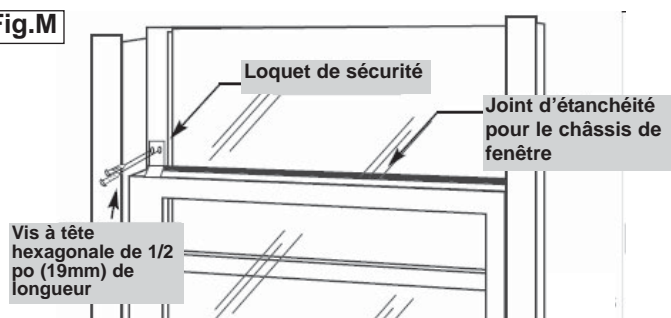
1. Soulevez le climatiseur et glissez-le avec précaution dans le caisson, en laissant dépasser 6 po.
2. N'APPUYEZ PAS sur les commandes ou les serpentins.
3. Assurez-vous que le bâti est bien logé vers l'arrière du caisson.
4. L'installation du panneau avant est l'inverse de son enlèvement, décrit dans la section 1 («Enlèvement du bâti»).

Fig.L



Vis de 13/16po(20mm) et serrure de cadre

Fig.M



SOINS ET ENTRETIEN

MISE EN GARDE

Avant de procéder à l'entretien du climatiseur, assurez-vous de débrancher le cordon d'alimentation de la prise électrique afin d'éliminer les risques de choc électrique ou d'incendie.

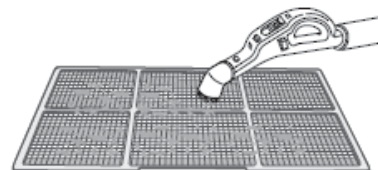
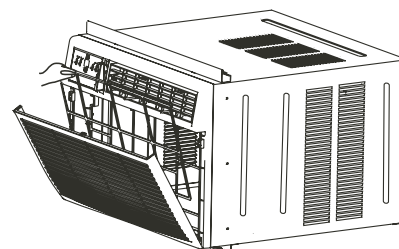
- N'utilisez PAS de l'essence, un produit chimique, diluant ou autre sur un climatiseur, car ces substances peuvent endommager la finition de la peinture et déformer des pièces en plastique.
- N'essayez jamais de verser de l'eau directement sur le climatiseur, car cela provoque une détérioration de l'isolation électrique.

LE NETTOYAGE DU FILTRE À AIR

Il faut vérifier le filtre à air au moins une fois par mois pour voir s'il est nécessaire de le nettoyer. Les particules piégées par le filtre peuvent s'accumuler et causer du givre sur les serpentins de refroidissement.

- Poussez sur la poignée de l'évent pour la mettre sur la position fermée.
- Ouvrez le panneau avant.
- Prenez le filtre et tirez vers le haut puis vers l'extérieur pour le sortir.
- Lavez le filtre au moyen d'un liquide à vaisselle et d'eau chaude. Rincez le filtre à fond.
- Secouez doucement le filtre pour enlever l'excès d'eau. Assurez-vous que le filtre est complètement sec avant de le remettre en place.
- Vous pouvez également utiliser un aspirateur pour nettoyer le filtre.

Remarque : n'utilisez jamais d'eau dont la température est supérieure à 40°C (104°F) pour nettoyer le filtre à air.



MISE EN GARDE

Ne jamais faire fonctionner cette unité sans le filtre à air à sa place, comme ceci peut avoir pour résultat des dommages à l'unité.



SOINS ET ENTRETIEN

NETTOYAGE DU CAISSON

- Assurez-vous de débrancher le climatiseur afin d'éliminer les risques de choc ou d'incendie. Le caisson et le devant peuvent être époussetés au moyen d'un chiffon sans huile ou lavés au moyen d'un chiffon doux trempé dans une solution d'eau chaude et de liquide à vaisselle doux. Rincez à fond et essuyez pour sécher.
- Assurez-vous d'essorer le chiffon avant d'essuyer autour des commandes. Un excédent d'eau dans les commandes ou autour de celles-ci peut endommager le climatiseur.

ENTREPOSAGE PENDANT L'HIVER

Si vous prévoyez d'entreposer le climatiseur pendant l'hiver, enlevez-le soigneusement de la fenêtre en suivant les instructions d'installation. Recouvrez-le d'une feuille de plastique ou remettez-le dans son carton d'origine. Rangez toujours l'appareil en position verticale.

MISE AU REBUT

Vérifiez le respect des réglementations locales concernant la mise au rebut approuvée et sécurisée de cet appareil.



DÉPANNAGE

De temps en temps, un problème mineur peut se poser et un appel de service peut ne pas être nécessaire. Employez ce guide de dépannage pour une solution possible. Si l'unité continue à fonctionner incorrectement, communiquez avec un dépôt autorisé de service ou appelez au numéro sans frais de Danby : **1-800-263-2629**.

PROBLEME	CAUSE PROBABLE	SOLUTION
L'appareil ne fonctionne pas	<ul style="list-style-type: none">• Panne de courant• L'appareil n'est pas branché correctement• Le coup-circuit est déclenché• La commande est sur arrêt (off)	<ul style="list-style-type: none">• Attendez que le courant soit rétabli• Branchez l'appareil correctement• Appuyez sur le bouton Réinitialisation (Reset) après avoir résolu le problème• Mettez la commande sur la position marche et réglez la valeur désirée
L'air sortant de l'appareil ne semble pas assez froid	<ul style="list-style-type: none">• Température de la pièce inférieure à 17°C (62°F)• Le capteur de température touche le serpentin de refroidissement (derrière le filtre à air)• La température est réglée à une valeur trop élevée• Le compresseur est arrêté lors du changement de modes	<ul style="list-style-type: none">• Ne refroidit pas tant que la température de la pièce n'est pas supérieure à 17°C (62°F)• Redressez le tube pour l'éloigner du serpentin• Réglez à une température inférieure• Attendez environ 3 minutes et écoutez afin de vous assurer que le compresseur redémarre en mode Refroidissement.
Le climatiseur refroidit la pièce, mais la pièce est trop chaude-formation de givre sur le serpentin de refroidissement, derrière le panneau avant décoratif	<ul style="list-style-type: none">• Température extérieure inférieure à 17°C (62°F)• Le filtre à air est peut-être sale• Le thermostat est réglée à une valeur trop basse pour refroidir pendant la nuit	<ul style="list-style-type: none">• Pour dégivrer le serpentin, mettez l'appareil en mode VENTILATION SEULEMENT• Nettoyez le filtre conformément aux instructions• Réglez la température à une valeur plus élevée
Le climatiseur refroidit la pièce, mais la pièce est trop chaude - AUCUN formation de givre sur le serpentin de refroidissement, derrière le panneau avant décoratif	<ul style="list-style-type: none">• La filtre à air est sale- la circulation de l'air est restreinte• La température est réglée à une valeur trop élevée• Les louveres d'air sont mal positionnés• Obstruction de l'avant de l'appareil (p. ex., par des rideaux), ce qui restreint la circulation de l'air• Les portes, les fenêtres ou les grilles à registre sont ouvertes, ce qui fait que l'air froid s'échappe• L'appareil vient d'être mis en marche dans une pièce chaude	<ul style="list-style-type: none">• Nettoyez le filtre à air• Réglez la température à une valeur plus basse• Orientez les louveres de manière à obtenir une meilleure répartition de l'air• Enlevez les obstructions devant l'appareil• Fermez les portes, les fenêtres et les grilles à registre• Laissez plus de temps pour l'élimination de la « chaleur emmagasinée » de la pièce



DÉPANNAGE (suite)

PROBLEME	CAUSE PROBABLE	SOLUTION
Le climatiseur se met en marche et s'arrête rapidement	<ul style="list-style-type: none">• La filtre à air est sale- la circulation de l'air est restreinte• La température extérieure est extrêmement chaude	<ul style="list-style-type: none">• Nettoyez le filtre à air• Réglez la vitesse du ventilateur à une valeur plus élevée afin que l'air passe entre les serpentins de refroidissement plus souvent
L'appareil est bruyant en mode Refroidissement	<ul style="list-style-type: none">• Sons causés par la circulation de l'air• Vibration des fenêtres	<ul style="list-style-type: none">• Cela est normal. Si le bruit est trop fort, réglez le ventilateur à une vitesse moins élevée• Mauvaise installation- consultez les instructions d'installation ou l'installateur
De l'eau dégoutte À L'INTÉRIEUR lorsque l'appareil refroidit	<ul style="list-style-type: none">• Installation incorrecte	<ul style="list-style-type: none">• Inclinez le climatiseur légèrement vers l'extérieur pour permettre à l'eau de s'écouler
De l'eau dégoutte À L'EXTÉRIEUR lorsque l'appareil refroidit	<ul style="list-style-type: none">• L'appareil élimine de grandes quantités d'humidité d'une pièce humide	<ul style="list-style-type: none">• C'est normal par temps très humide
Le capteur à distance se désactive trop rapidement	<ul style="list-style-type: none">• Le télécommande est hors de portée• Le signal de la télécommande est bloqué	<ul style="list-style-type: none">• Placez la télécommande dans un rayon de 20 pi et 180° de l'avant de l'appareil• Enlevez les obstructions
La pièce est trop froide	<ul style="list-style-type: none">• La température est réglée à une valeur trop basse	<ul style="list-style-type: none">• Augmentez la température pré-réglée

GARANTIE LIMITÉE SUR APPAREIL ÉLECTROMÉNAGER À DOMICILE

Cet appareil de qualité est garanti exempt de tout vice de matière première et de fabrication, s'il est utilisé dans les conditions normales recommandées par le fabricant.

Cette garantie n'est offerte qu'à l'acheteur initial de l'appareil vendu par Danby Products Limited (Canada) ou Danby Products Inc. (E.- U.A.) (ci-après « Danby ») ou par l'un des ses distributeurs agréés et elle ne peut être transférée.

CONDITIONS

Les pièces en plastique sont garanties pendant trente (30) jours seulement à partir de la date de l'achat, sans aucune prolongation prévue.

Premiers 12 mois Pendant les premiers douze (12) mois, toutes les pièces fonctionnelles de ce produit qui s'avèrent défectueuses seront réparées ou remplacées, selon le choix du garant, sans frais à l'acheteur INITIAL.

Pour bénéficier du service Le client sera responsable pour le transport et tous les frais d'expédition de tout appareil exigeant le service au dépôt de service autorisé le plus proche. S'adresser au détaillant qui a vendu l'appareil, ou à la station technique agréée de service la plus proche, où les réparations doivent être effectuées par un technicien qualifié. Si les réparations sont effectuées par quiconque autre que la station de service agréée où à des fins commerciales, toutes les obligations de Danby en vertu de cette garantie seront annulées.

Limites de l'entretien à domicile Si l'appareil est installé à plus de 100 kilomètres (62 milles) du centre de service le plus proche, il doit être livré à l'atelier de réparation autorisé par Danby le plus proche, car l'entretien doit uniquement être réalisé par un technicien qualifié et certifié pour effectuer un entretien couvert par la garantie de Danby. Les frais de transport entre votre domicile et le lieu de l'entretien ne sont pas couverts par la présente garantie et doivent être acquittés par l'acheteur.

Aucune partie de la garantie ne prévoit implicitement que le fabricant sera tenu responsable des dommages subis par les aliments ou d'autres types de contenu, qu'ils soient causés par la défectuosité de l'appareil ou par son usage adéquat ou inadéquat.

EXCLUSIONS

En vertu de la présente, il n'existe aucune autre garantie, condition ou représentation, qu'elle soit exprimée ou tacite, de façon manifeste ou intentionnelle, par Danby ou ses distributeurs agréés. De même, sont exclues toutes les autres garanties, conditions ou représentations, y compris les garanties, conditions ou représentations en vertu de toute loi régissant la vente de produits ou de toute autre législation ou règlement semblables. En vertu de la présente, Danby ne peut être tenue responsable en cas de blessures corporelles ou des dégâts matériels, y compris à l'appareil, quelle qu'en soit les causes. Danby ne peut pas être tenue responsable des dommages indirects dus au fonctionnement défectueux de l'appareil. En achetant l'appareil, l'acheteur accepte de mettre à couvert et de dégager Danby de toute responsabilité en cas de réclamation pour toute blessure corporelle ou tout dégât matériel causé par cet appareil.

CONDITIONS GÉNÉRALES

La garantie ou assurance ci-dessus ne s'applique pas si les dégâts ou réparations sont dus aux cas suivants :

- 1) Panne de courant.
- 2) Dommages subis pendant le transport ou le déplacement de l'appareil.
- 3) Alimentation électrique incorrecte (tension faible, câblage défectueux, fusibles incorrects).
- 4) Accident, modification, emploi abusif ou incorrect de l'appareil tel qu'une circulation d'air inadéquate dans la pièce ou des conditions de fonctionnement anormales (température extrêmement élevée ou basse).
- 5) Utilisation dans un but commercial ou industriel (à savoir, si l'appareil n'est pas installé dans un domicile résidentiel).
- 6) Incendie, dommages causés par l'eau, vol, guerre, émeute, hostilités, cas de force majeure (ouragan, inondation, etc.).
- 7) Visites d'un technicien pour expliquer le fonctionnement de l'appareil au propriétaire.
- 8) Installation inappropriée (par exemple, encastrement d'un appareil autoportant, ou utilisation extérieure d'un appareil non conçu à cet effet). Une preuve d'achat doit être présentée pour toute demande de réparation sous garantie. Prière de garder le reçu. Pour faire honorer la garantie, présenter ce document à la station technique agréée ou s'adresser à :

Service sous garantie
Service au domicile

Danby Products Limited
PO Box 1778, Guelph, Ontario, Canada N1H 6Z9
Téléphone : (519) 837-0920 Télécopieur: (519) 837-0449

1-800-263-2629
03/14

Danby Products Inc.
PO Box 669, Findlay, Ohio, U.S.A. 45840
Téléphone: (419) 425-8627 Télécopieur: (419) 425-8629



AIR CONDITIONER

All repair parts are available for purchase or special order when you visit your nearest service depot. To request service and/or the location of the service depot nearest you, call the TOLL FREE number.

When requesting service or ordering parts, always provide the following information:

- Product Type
- Model Number
- Part Number
- Part Description

CLIMATISEUR

Toutes les pièces de rechange ou commandes spéciales sont disponibles à votre centre de service régional autorisé. Pour obtenir le service et/ou la localité de votre centre de service régional, signalez le NUMÉRO D'APPEL SANS FRAIS.

Ayez les renseignements suivants à la portée de la main lors de la commande de pièce ou service:

- Type de produit
- Numéro de modèle
- Numéro de pièce
- Description de la pièce



MODEL • MODÈLE
DAC150ECB1GDB / DAC150EUB1GDB / DAC180ECB1GDB / DAC180EUB1GDB
DAC250ECB1GDB / DAC250EUB1GDB