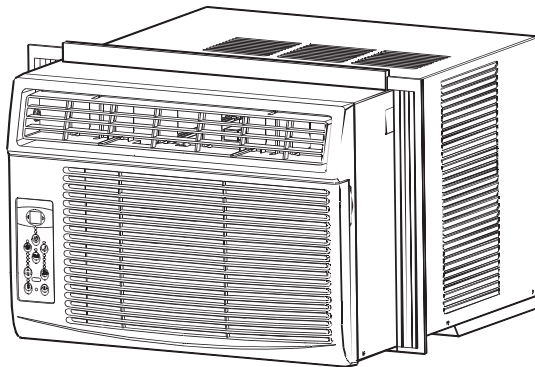




Owner's Use and Care Guide
Guide de soin d'utiliser-et
Model • Modèle
AAC080EB1G



AIR CONDITIONER • CLIMATISEUR

CAUTION: Read and follow all safety rules and operating instructions before first use of this product.

MISE EN GARDE : Veuillez lire attentivement les consignes de sécurité et les directives d'utilisation avant l'utilisation initiale de ce produit.

KEEP THESE INSTRUCTIONS FOR FUTURE REFERENCE: If the unit changes ownership, be sure this manual accompanies the unit.

CONSERVER CES INSTRUCTIONS POUR CONSULTATION ULTÉRIEURE: En cas de revente du l'unité, ce manuel doit être inclus avec l'appareil.

Contents

AIR CONDITIONER

Owner's Use and Care Guide 2-17

- Welcome
- Important Safety Information
- Features
- Installation
- Operation Instructions
- Care and Maintenance
- Troubleshooting
- Warranty

CLIMATISEUR

Guide d'utilisation et d'entretien 18-33

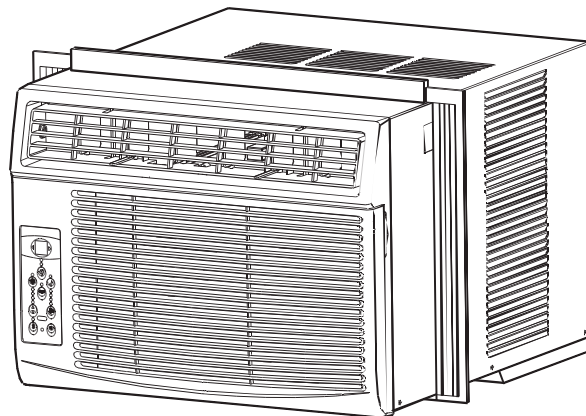
- Bienvenue
- Consignes de Sécurité Importantes
- Caractéristiques
- Installation
- Consignes d'utilisation
- Soins et Entretien
- Dépannage
- Garantie

CAUTION:

Read and follow all safety rules and operating instructions before first use of this product.

PRECAUTION:

Veillez lire attentivement les consignes de sécurité et les instructions d'utilisation avant l'utilisation initiale de ce produit.



Model • Modèle AAC080EB1G

Welcome

Thank you for choosing a Arcticaire appliance to provide you and your family with all of the “Home Comfort” requirements of your home, cottage, or office. This Owner’s Use and Care Guide will provide you with valuable information necessary for the proper care and maintenance of your new appliance. If properly maintained, your Arcticaire appliance will give you many years of trouble free operation. Please take a few moments to read the instructions thoroughly and familiarize yourself with all of the operational aspects of this appliance.

For easy reference, may we suggest you attach a copy of your sales slip/receipt to this page, along with the following information, located on the manufacturers nameplate on side of the unit. This information will be necessary if your unit requires servicing and/or for general inquiries. To contact a Customer Service Representative, call **TOLL FREE: 1-800-263-2629**

NOTE: THIS UNIT IS NOT DESIGNED FOR “THROUGH-THE-WALL” INSTALLATION.

Model Number:	_____
Serial Number:	_____
Date of Purchase:	_____

WARNING

Improper connection of the grounding plug can result in risk of Fire, Electric Shock and/or injury to Persons associated with the appliance. Check with a qualified service representative if in doubt that the appliance is properly grounded.



Important Safety Information

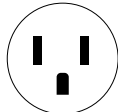
READ AND FOLLOW ALL SAFETY INSTRUCTIONS

FOR YOUR SAFETY: Read these instructions carefully before operating the unit.

ELECTRICAL SPECIFICATIONS

- 1) All wiring must comply with local and national electrical codes and must be installed by a qualified electrician. If you have any questions regarding the following instructions, contact a qualified electrician.
- 2) Check available power supply and resolve any wiring problems BEFORE installing and operating this unit.
- 3) This 115V air conditioner uses 7 or less nameplate amps and may be used in any properly wired, general purpose household receptacle. See **Table 1** for specifications for individual branch circuit.
- 4) For your safety and protection, this unit is grounded through the power cord plug when plugged into a matching wall outlet. If you are not sure whether your wall outlet is properly grounded, please consult a qualified electrician.
- 5) The wall outlet must match the 3-prong plug on the service cord supplied with the unit. **DO NOT** use plug adapters. See **Table 2** for receptacle and fuse information. If it is necessary to use an extension cord to connect your air conditioner, **use an approved “air conditioner” extension cord only** (available at most local hardware stores).
- 6) The rating plate on the unit contains electrical and other technical data. The rating plate is located on the right side of the unit, above the power cord.

TABLE 1	
Suggested Individual Branch Circuit	
Nameplate Amps	*AWG Wire Size
7	16
AWG- American Wire Gauge	
*Based on copper wire at 60°C temperature rating.	

TABLE 2	
Receptacle and Fuse Types	
Rated Volts	125
Amps	15
Wall Outlet	
Fuse Size	15
Time Delay Fuse (or Circuit Breaker)	Plug Type



Important Safety Information

READ AND FOLLOW ALL SAFETY INSTRUCTIONS

FOR YOUR SAFETY: Read these instructions carefully before operating the unit.

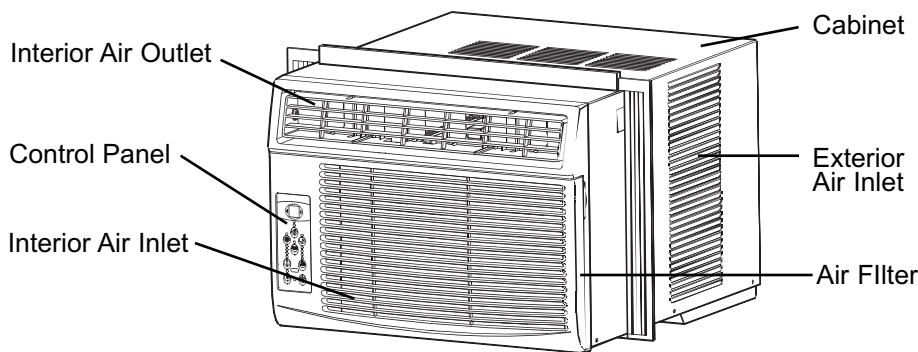
ENERGY SAVING TIPS

Your Danby appliance is designed to be highly efficient in energy savings. Follow these recommendations for greater efficiency.

- 1) Select a thermostat setting that suits your comfort needs and leave at that chosen setting.
- 2) The air filter is very efficient in removing airborne particles. Keep the air filter clean at all times. (usually cleaned every 2 weeks depending on indoor air quality).
- 3) Use drapes, curtains or shades to keep direct sunlight from penetrating and heating the room, but do not allow drapes or curtains to obstruct the air flow around the unit.
- 4) Start your air conditioner before the outdoor air becomes hot and uncomfortable, to avoid an initial period of discomfort while the unit is cooling off the room.
- 5) When outdoor temperatures are cool enough, use **HIGH** or **LOW FAN** only. This circulates indoor air, providing some cooling comfort, and utilizes less electricity than when operating on a cooling setting.



Features



Installation Instructions



ELECTRIC SHOCK HAZARD

To avoid the possibility of personal injury, disconnect power to the unit before installing or servicing.

NOTE: Your Room Air Conditioner is designed for easy installation in a single or double-hung window. This unit is NOT designed for vertical (slider type) windows and/or through-the-wall applications.

TOOLS NEEDED FOR INSTALLATION:

- **Screw Drivers:** Phillips and flat head.
- **Power Drill:** 1/8" (3.2mm) diameter drill bit.
- **Pencil**
- **Measuring Tape**
- **Scissors**
- **Carpenters Level**

NOTE: Save the shipping carton and packing materials for future storage or transportation. From carton, remove the plastic bag containing the installation hardware kit necessary for the installation of your air conditioner. Please check the contents of hardware kit against the corresponding model check list, prior to installation of the unit. See **Fig. 1**.

CAUTION

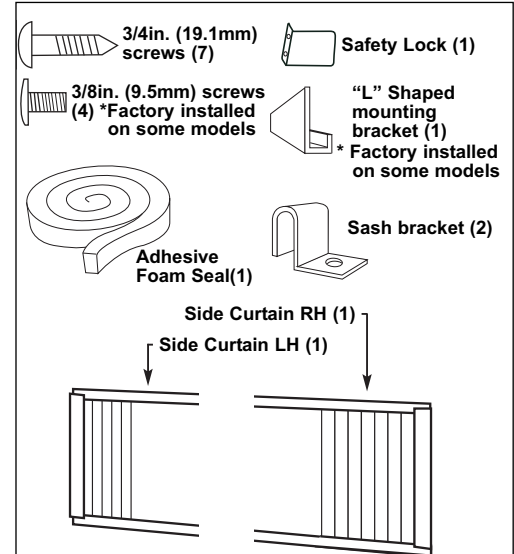
Because the compressor is located on the controls side of the unit (left side), this side will be heavier and more awkward to manipulate. Inadequate support on control side of the unit can result in personal injury and damage to your unit and property. Therefore, it is recommended that you have someone assist you during the installation of this unit.



Installation Instructions

INSTALLATION HARDWARE

Fig. 1



LOCATION

- A) This room air conditioner is designed to fit easily into a single or double hung window. However, since window designs vary, it may be necessary to make some modifications for safe, proper installation.
- B) Make sure window and frame are structurally sound and free from dry and rotted wood.
- C) For maximum efficiency, install the air conditioner on a side of the house or building which favours more shade than sunlight. If the unit is in direct sunlight, it is advisable to provide an awning over the unit.
- D) Provide sufficient clearance around the cabinet to allow for ample air circulation through the unit (**See Fig. 2**). The rear of the unit should be outdoors and not in a garage nor inside a building. Keep unit as far away as possible from obstacles/obstructions and at least 30" above the floor or ground. Curtains and other objects within a room should be prevented from blocking the air flow.
- E) Be certain the proper electrical outlet is within reach of the installation. Use only a single outlet circuit rated at 15 amps. All wiring should be in accordance with local and national electrical codes.
- F) **DO NOT** install unit where leakage of combustible gas is suspected. Your air conditioner may fail to operate in air containing oils (including machine oils), sulfide gas, near hot springs, etc.

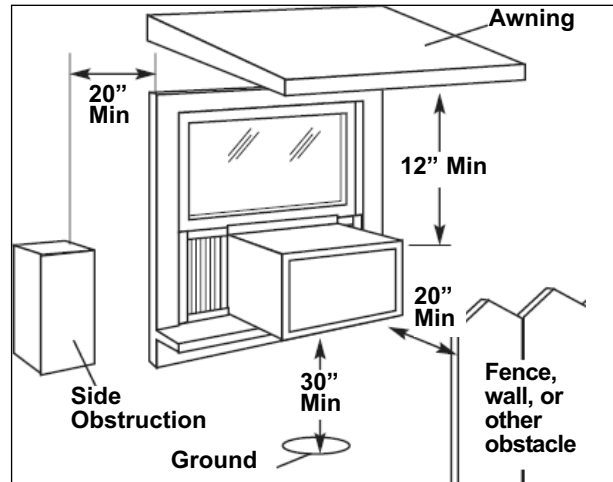
NOTE: Your unit is designed to evaporate condensation under normal conditions. However, under extreme humidity conditions, excess condensation may cause basepan to overflow to the outside. The unit should be installed where condensation run-off cannot drip on pedestrains or neighboring properties.



Installation Instructions

LOCATION

Fig. 2



1) Assembly of the Upper Channel to Cabinet. (Factory installed on some units)

- “L” Shaped Top Channel: Install the “L” shaped channel to the top of the cabinet as shown in Fig. 3, using four (4) 3/8” screws.

2) Assembly of the Side Curtains to Cabinet.

- Extend the shutter from the shutter frame and slide it into the shutter tabs on the side channel of the air conditioner, as shown in Fig. 4.
- Slide the shutters into the top (“L” Shaped) and bottom (“U” Shaped) channels. The shutters are identified (on frame) as left and right.

3) Completing the Installation

- Cut the foam (non adhesive) sealing strip to fit the area of the window sill that the air conditioner will rest on.

Fig. 3

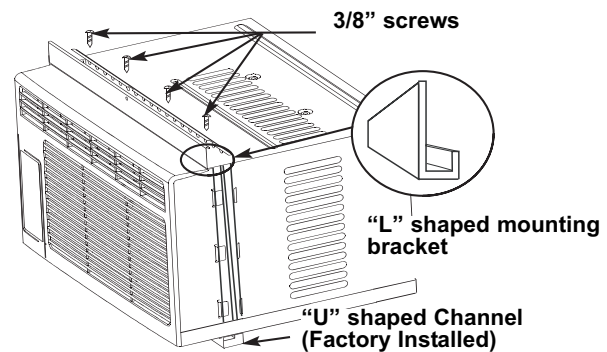
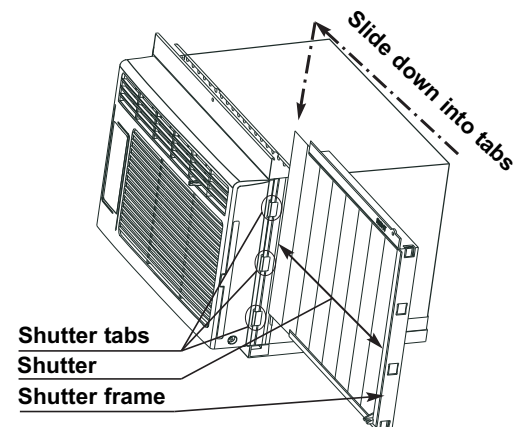


Fig. 4





Installation Instructions

3) Completing the Installation (cont)

- Carefully place the air conditioner into the window with the “L” shaped mounting bracket (on top) positioned in front of the upper window sash. The bottom of the cabinet should be positioned on the “recessed” portion of the window frame. Pull the window down until it rests just behind the front flange of the (top) “L” shaped mounting bracket (**See Fig. 5**).
- Expand the shutter frames (fully) on each side and secure the top of the frames to the window sash using one 3/4” screw on each side and one in the “L” shaped mounting bracket (**Fig. 5**).
- Secure the shutter clamp on each side of the (lower) shutter and secure to window sill using one 3/4” screw on each side (**Fig. 5**).
- Place the second foam sealing strip to fit the opening between the inside and outside windows, then attach the safety lock to the outside window frame using one 3/4” screw (**See Fig. 6**).

PLEASE NOTE: Window applications come in a variety of different styles. Therefore, it may be necessary to modify or improvise your particular installation.

Fig. 5

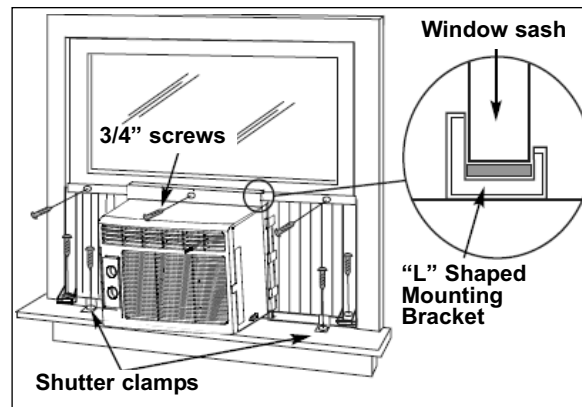
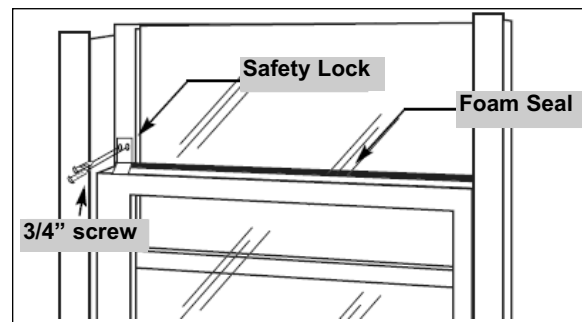


Fig. 6







Operating Instructions


KEY PAD FEATURES


LED DISPLAY: Displays the following information independently; Set Temperature, Ambient Room Temperature and Auto Timer On/Off settings.


 **POWER:** Turns unit On/Off.


 **MODE:** Allows you to scroll through and select the desired operating mode; Cool, Dry, Fan Only and *Auto. The selected mode will be denoted by the adjacent indicator light. *Auto is a pre-set factory program that automatically defines the mode (Cool or Dry) and fan speed based on the set temperature.

 **FAN SPEED:** Select from four different fan settings; Low, Medium, High and Auto during Cool and Fan Only mode. Please note: During 'Dry' mode the fan speed is automatically defined.

 **ENERGY SAVER:** Automatically cycles the fan on and off while the compressor is not in use.

 **TEMP / TIMER CONTROL:** Used to increase or decrease the Temperature setting in 1°C / °F increments, and Auto-Timer On/Off settings in 30min./1hr. increments. **Note:** This appliance allows you select the temperature scale to be displayed in either "Celsius" or Fahrenheit" according to your preference. To change the temperature scale displayed on the electronic display, press both the "Temp/Timer" adjust arrows simultaneously to alternate between "Celsius" & "Fahrenheit".

 **CHECK FILTER:** The adjacent indicator light will illuminate as a reminder to clean the air conditioner filter (see page 9) Once the filter has been cleaned and replaced, depress the Check Filter button in order to resume operation.

 **SLEEP MODE:** When activated, the current set temperature is gradually increased over a one (1) hour period then maintained for seven (7) hours. Once the program is complete, the air conditioner will resume to its previous set temperature (before sleep mode was activated). This feature is meant to be used during the night time hours to prevent the room from getting too cold (while you sleep) and results in less compressor running time and reduced energy consumption. Sleep mode may be cancelled by depressing the Sleep Mode button while the program is running.

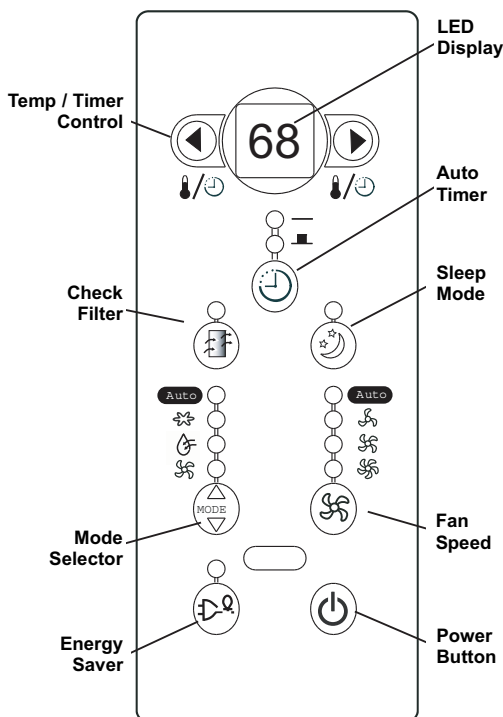
 **AUTO-TIMER:** Used to initiate the Auto On/ Auto Off timer.

While the Air Conditioner is off (Auto-On):

- 1) Press the Auto-Timer button once and the adjacent Auto-On indicator light will illuminate.
- 2) Use the Temp/Timer control cursors to select a delayed On time of up to 24 hours.
- 3) Select the appropriate mode under which you want the unit to operate (Auto-Cool-Dry-Fan Only)
- 4) Select the fan speed setting.
- 5) The time you selected will appear in the LED display.

While the Air Conditioner is on (Auto-Off):

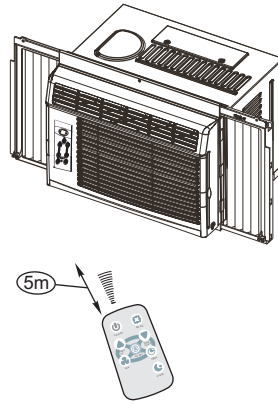
- 1) Press the Auto-Timer button twice and the adjacent Auto-Off indicator light will illuminate.
- 2) Use the Temp/Timer control cursors to select a delayed Off time of up to 24 hours.
- 3) The time you selected will appear in the LED display. The Auto On and Auto Off timer can operate during the same program by defining the Auto On parameters immediately after the Auto On parameters. The Auto-Timer may be cancelled at any time by turning the unit On/Off.





Operating Instructions

USING THE REMOTE CONTROL



Location of the remote controller.

- Use the remote controller within a distance of 5 meters from the appliance, pointing it towards the receiver. Reception is confirmed by a beep.

CAUTION

- The air conditioner will not operate if curtains, doors or other materials block the signals from the remote controller to the indoor unit.
- Prevent any liquid from falling into the remote controller. Do not expose the remote controller to direct sunlight or heat.
- If the infrared signal receiver on the indoor unit is exposed to direct sunlight, the air conditioner may not function properly. Use curtains to prevent the sunlight from falling on the receiver.
- If other electrical appliances react to the remote controller, either move these appliances or call the service depot.

REMOTE CONTROLLER SPECIFICATIONS

Model	R15A, R15B, R15C
Rated Voltage	3.0V(Button cell: CR2025)
Lowest Voltage of CPU Emitting Signal	2.0V
Signal Receiving Range	5m
Environment	-5°C ~ 60°C



Operating Instructions

REMOTE CONTROLLER BUTTONS

NOTE: Model R15B does not have CLEAN AIR feature.

ON/OFF button

Operation starts when this button is pressed and stops when the button is pressed again.

TEMP UP button

Push this button to increase the temperature setting in 1°C increments to 30°C.

FAN button

Used to select the fan speed in three steps:

→ LOW → MED → HIGH

CLEAN AIR button (on some models)

When this button is pressed, the ion generator is energized and will help remove pollen and impurities from the air.

ENERGY SAVER button

Press this button to activate the Energy saving mode. Press it again to stop the function.

MODE button

Each time you press this button, a mode is selected in a sequence that goes from AUTO, HEAT (cooling and heating models only) COOL, DRY, FAN and back to AUTO.

TEMP DOWN button

Push this button to decrease the indoor temperature setting in 1°C increments to 17°C.

TIMER button

Push this button to activate the "Auto Start" or "Auto Stop" program from 0-12 hours (1 hour increments)

SLEEP button

Press this button to activate the Sleep mode. This function is available on COOL, HEAT or AUTO mode only and maintain the most comfortable temperature for you.

**Models:
R15A
R15B**

ON/OFF button

Operation starts when this button is pressed and stops when the button is pressed again.

TEMP UP button

Push this button to increase the temperature setting in 1°C increments to 30°C.

FAN button

Used to select the fan speed in three steps:

→ LOW → MED → HIGH

SWING button

When this button is pressed, the vertical louvers will swing automatically from side to side. Press it again to deactivate the "SWING" feature.

MODE button

Each time you press the button, a mode is selected in a sequence that goes from AUTO, HEAT (cooling and heating models only) COOL, DRY, FAN and back to AUTO.

TEMP DOWN button

Push this button to decrease the indoor temperature setting in 1°C increments to 17°C.

TIMER button

Push this button to activate the "Auto Start" or "Auto Stop" program from 0-12 hours (1 hour increments)

SLEEP button

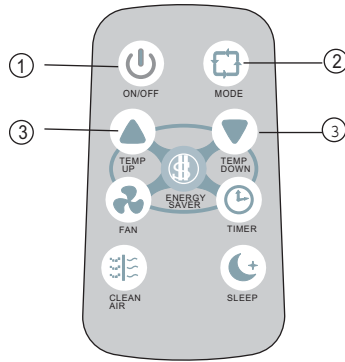
Press this button to activate the Sleep mode. Press again to stop the function. This function is available on COOL, HEAT or AUTO mode only and maintain the most comfortable temperature for you.

**Models:
R15C**



Operating Instructions

USING THE REMOTE CONTROLLER BUTTONS



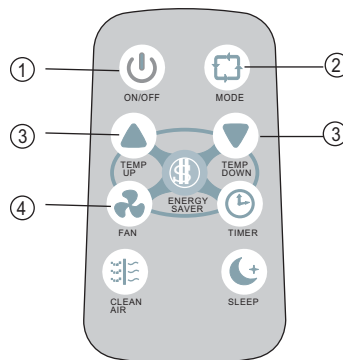
AUTO OPERATION

Ensure the unit is plugged in and power is available.

- 1) Press the ON/OFF button to start the air conditioner.
- 2) Press the mode button and select AUTO.
- 3) Press the TEMP UP / DOWN button to set the desired temperature. The temperature can be set within a range of 17°C~ 30°C in 1°C increments.

NOTE

1. In the Auto mode, the air conditioner can logically choose the mode of Cooling, Fan, Heating and Dehumidifying by sensing the difference between the actual ambient room temperature and the set temperature on the remote controller.
2. In the Auto mode, you can not switch the fan speed. It has already been automatically controlled.
3. If the Auto mode is not comfortable for you, the desired mode can be selected manually.



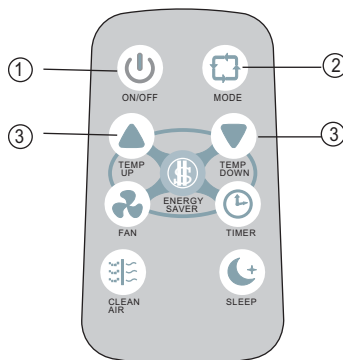
COOLING /HEATING/FAN OPERATION

Ensure the unit is plugged in and power is available.

- 1) Press the ON/OFF button to start the air conditioner.
- 2) Press the MODE button to cool, heat (cooling and heating models only) or fan mode.
- 3) Press the TEMP UP / DOWN button to set the desired temperature. The temperature can be set within a range of 17°C~ 30°C in 1°C increments.
- 4) Press the FAN button to select the fan speed in three steps- Low, Med, or High.

NOTE:

In the Fan mode, the setting temperature is not displayed in the remote controller and you are not able to control the room temperature either. In this case, only step 1, 3 and 4 may be performed.



DEHUMIDIFYING OPERATION

Ensure the unit is plugged in and power is available.

- 1) Press the ON/OFF button to start the air conditioner.
- 2) Press the MODE button to select auto.
- 3) Press the TEMP UP / DOWN button to set the desired temperature. The temperature can be set within a range of 17°C~ 30°C in 1°C increments.

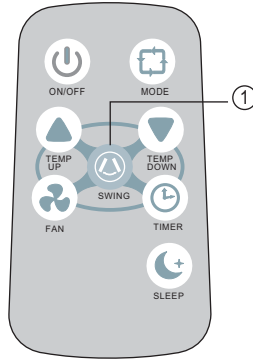
NOTE:

In the Dehumidifying mode, you can not switch the fan speed. It has already been automatically controlled.



Operating Instructions

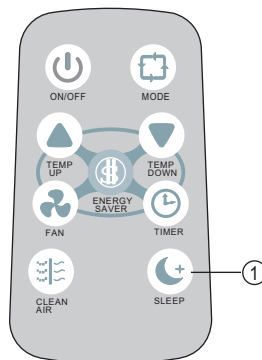
USING THE REMOTE CONTROLLER BUTTONS



SWING OPERATION

Use the SWING button to adjust the Left/Right airflow direction.

- 1) Press this button while the unit is operational, the vertical louvers automatically swing right and left sweeping the cold/hot air alternately to obtain comfortable cooling/heating.
- 2) Press the SWING button again to stop the swing operation.



SLEEP OPERATION

- In this mode, the selected temperature will increase(in cooling mode) / decrease (in heating mode) by 2°F 30 minutes after the mode is selected.
- The temperature will then increase by another 2°F after an additional 30 minutes.
- This new temperature will be maintained for 7 hours before it returns to the originally selected temperature. This ends the Sleep mode and the unit will continue to operate as originally programmed.
- The Sleep mode program can be cancelled at any time during operation by again pressing the Sleep button.

TIMER OPERATION

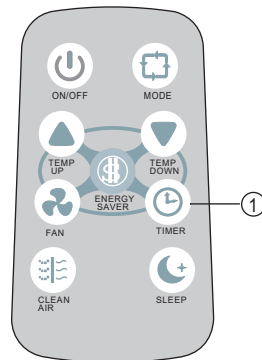
press the TIMER button can set the Auto-start and Auto-stop time of the unit.

NOTE:

- To set Auto-start time, the unit must be in the OFF position.
- To set Auto-stop time, the unit must be in the ON position.

To set the Auto-start time.

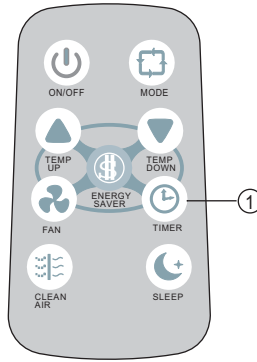
1. Push the TIMER button when the unit is off, only the Auto-start feature can be set.
2. Keep pressing the TIMER button, each press will increase the selected time by 1 hour increments, up to 12 hours.
3. The time can be set in a range of 0~12 hours.
4. After the desired time has established, wait for about 10 seconds until the setting temperature reverts back in the display window of the air conditioner. This indicates the program is set.





Operating Instructions

USING THE REMOTE CONTROLLER BUTTONS



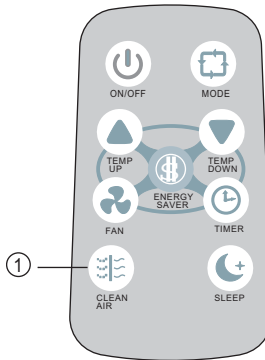
TIMER OPERATION

To set the Auto-start time.

- 1) Push the TIMER button when the unit is operational, only the Auto-stop feature can be set.
- 2) Keep pressing the TIMER button, each press will increase the selected time by 1 hour increments, up to 12 hours.
- 3) The time can be set in a range of 0~12 hours.
- 4) After the desired time has established, wait for about 10 seconds until the setting temperature reverts back in the display window of the air conditioner. This indicates the program is set.

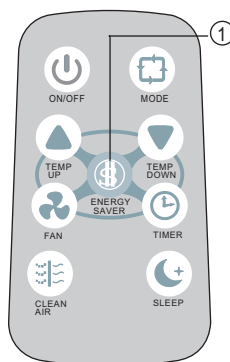
NOTE:

To cancel the TIMER setting, push the TIMER button until 0 hour is displayed on the LCD window of the air conditioner.



CLEAN AIR OPERATION

When this button is pushed, the ion generator is energized and will help remove pollen and impurities from the air. Press it again to stop the operation.



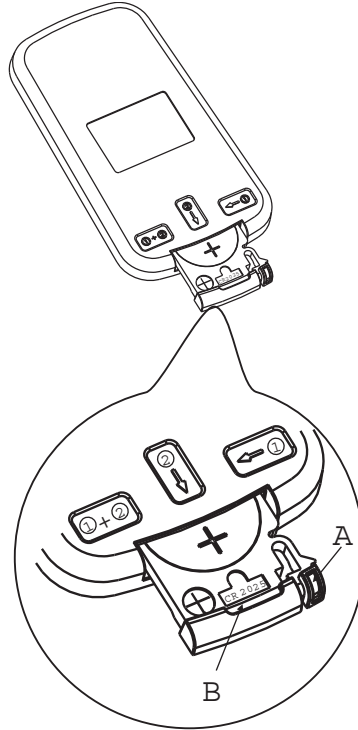
ENERGY SAVER OPERATION

In this mode, the fan will continue to run for 3 minutes after the compressor shuts off. The fan then cycles on for 2 minutes at 10 minute intervals until the room temperature is above the set temperature, at which time the compressor turns back on and cooling starts.



Operating Instructions

CHANGING THE BATTERIES ON THE REMOTE



The remote controller is powered by one button cell housed in the rear part and protected by a cover. Remove the button cell according to the arrow marked at the back of the remote controller.

- ① Slightly press “A” position according to the number 1 arrow direction by your forefinger.
- ② Press “B” position and pull it according to the number 2 arrow direction by your thumb.
- ①+② 3. The above step 1 and 2 should be done simultaneously to slide the button cell out.



Care and Maintenance

CLEAING

When cleaning the air conditioner, be sure to turn the **SELECTOR** knob to the “**OFF**” position and **disconnect the power cord from the electrical outlet**.

- 1) **DO NOT** use gasoline, benzene, thinner, or any other chemicals to clean this unit, as these substances may cause damage to the finish and deformation of plastic parts.
- 2) Never attempt to clean the unit by pouring water directly over any of the surface areas, as this will cause deterioration of electrical components and wiring insulation.

AIR FILTER

If the air filter becomes clogged with dust, air flow is obstructed and reduces efficiency. The air filter should be cleaned every 2 weeks.

AIR FILTER REMOVAL:

The air filter is located behind the air intake front grill. To remove the air filter, grasp the filter handle on the front of the grill and slide it out to the right.

To reinstall the air filter, reverse the above procedures. The air filter must be vacuumed or washed by hand in warm water. Dry thoroughly before re-installing.

CLEANING AIR FILTER:

- 1) Use a vacuum cleaner with soft brush attachment
- 2) Wash the filter in lukewarm water below 40°C (104°F): To get best results, wash with soapy water or a neutral cleaning agent.
- 3) Rinse the filter with clean water and dry thoroughly before re-installing.

IMPORTANT

DO NOT forget to install the air filter. If the air conditioner is left to operate without the air filter, dust is not removed from the room air and may result in machine failure. When the air inlet grill and cabinet are dirty, wipe with lukewarm water (below 40°C). Use of a mild detergent is recommended.

END OF SEASON CARE

- 1) Operate the fan alone for half a day to dry out the inside of the unit.
- 2) Turn off power and remove plug from wall socket.
- 3) Clean filter.
- 4) Store (covered) air conditioner in a dry location.

CAUTION

When installing and/or removing the air conditioner from the window, ensure that caution is taken to prevent it from falling backward. It is recommended that installation or removal of the air conditioner is done with assistance to prevent injury to persons or damage to the unit or property.



Troubleshooting

Occasionally a problem may arise that is minor in nature, and a service call may not be necessary. Use this troubleshooting guide for a possible solution. If the unit continues to operate improperly, call an authorized service depot or Toll Free Number **1-800-263-2629** for assistance.

PROBLEM	POSSIBLE CAUSE	SOLUTION
1) Air conditioner will not operate.	<ul style="list-style-type: none"> No power to the unit. 	<ul style="list-style-type: none"> Check connection of power cord to power source. Check fuse or circuit breaker. Set SELECTOR SWITCH to position other than "OFF". The power cord "RESET" button must always be pushed in (engaged) for correct operation.
2) Inefficient or no cooling.	<ul style="list-style-type: none"> Dirty air filter. Unit size inappropriate for application. Blocked air flow. Power interruption, settings changed too quickly, or compressor overload tripped. 	<ul style="list-style-type: none"> Clean/replace air filter. Check with dealer to determine proper unit capacity for application. Remove obstruction from grill or outdoor louvres. Turn the unit off and wait 5 minutes before attempting to restart.
3) Noisy unit.	<ul style="list-style-type: none"> Loose parts. Inadequate support. 	<ul style="list-style-type: none"> Tighten loose parts. Provide additional support to unit.
4) Odors.	<ul style="list-style-type: none"> Formation of mold, mildew, or algae on wet surfaces. 	<ul style="list-style-type: none"> Clean unit thoroughly. Place algaecide tablet in base pan.
5) Water dripping outside.	<ul style="list-style-type: none"> Hot and humid weather. 	<ul style="list-style-type: none"> Condensation run-off is normal under these conditions.
6) Water dripping inside.	<ul style="list-style-type: none"> Unit is not properly angled to allow water to drain outside. 	<ul style="list-style-type: none"> Unit must be installed on an angle for proper condensation run-off. Check the unit and make any adjustments.
7) Ice or frost build-up	<ul style="list-style-type: none"> Low outside temperature. Unit air filter is dirty. 	<ul style="list-style-type: none"> When outdoor temperature is approximately 18.3°C (65°F) or below, frost may form when unit is in cooling mode. Switch unit to FAN (only) operation until frost melts. Remove and clean filter.

NOTES:

1) If circuit breaker is tripped repeatedly, or fuse is blown more than once, contact a qualified technician.

2) When unit is installed using proper installation steps, unit is properly tipped toward the outdoors to allow for condensation run-off.



LIMITED IN-HOME APPLIANCE WARRANTY

This quality product is warranted to be free from manufacturer's defects in material and workmanship, provided that the unit is used under the normal operating conditions intended by the manufacturer.

This warranty is available only to the person to whom the unit was originally sold by Danby Products Limited (Canada) or Danby Products Inc. (U.S.A.) (hereafter "Danby") or by an authorized distributor of Danby, and is non-transferable.

TERMS OF WARRANTY

Plastic parts, are warranted for thirty (30) days only from purchase date, with no extensions provided.

First Year During the first 2 years (24) months, any functional parts of this product found to be defective, will be repaired or replaced, at warrantor's option, at no charge to the ORIGINAL purchaser.

To obtain Service Danby reserves the right to limit the boundaries of "In Home Service" to the proximity of an Authorized Service Depot. Any appliance requiring service outside the limited boundaries of "In Home Service", it will be the consumer's responsibility to transport the appliance (at their own expense) to the original retailer (point of purchase) or a service depot for repair. See "Boundaries of In Home Service" below. Contact your dealer from whom your unit was purchased, or contact your nearest authorized Danby service depot, where service must be performed by a qualified service technician.

If service is performed on the units by anyone other than an authorized service depot, or the unit is used for commercial application, all obligations of Danby under this warranty shall be void.

Boundaries of In Home Service If the appliance is installed in a location that is 100 kilometers (62 miles) or more from the nearest service center your unit must be delivered to the nearest authorized Danby Service Depot, as service must only be performed by a technician qualified and certified for warranty service by Danby. Transportation charges to and from the service location are not protected by this warranty and are the responsibility of the purchaser.

Nothing within this warranty shall imply that Danby will be responsible or liable for any spoilage or damage to food or other contents of this appliance, whether due to any defect of the appliance, or its use, whether proper or improper.

EXCLUSIONS

Save as herein provided, Danby, there are no other warranties, conditions, representations or guarantees, express or implied, made or intended by Danby or its authorized distributors and all other warranties, conditions, representations or guarantees, including any warranties, conditions, representations or guarantees under any Sale of Goods Act or like legislation or statute is hereby expressly excluded. Save as herein provided, Danby shall not be responsible for any damages to persons or property, including the unit itself, howsoever caused or any consequential damages arising from the malfunction of the unit and by the purchase of the unit, the purchaser does hereby agree to indemnify and hold harmless Danby from any claim for damages to persons or property caused by the unit.

GENERAL PROVISIONS

No warranty or insurance herein contained or set out shall apply when damage or repair is caused by any of the following:

- 1) Power failure.
- 2) Damage in transit or when moving the appliance.
- 3) Improper power supply such as low voltage, defective house wiring or inadequate fuses.
- 4) Accident, alteration, abuse or misuse of the appliance such as inadequate air circulation in the room or abnormal operating conditions (extremely high or low room temperature).
- 5) Use for commercial or industrial purposes (ie. If the appliance is not installed in a domestic residence).
- 6) Fire, water damage, theft, war, riot, hostility, acts of God such as hurricanes, floods etc.
- 7) Service calls resulting in customer education.
- 8) Improper Installation (ie. Building-in of a free standing appliance or using an appliance outdoors that is not approved for outdoor application).

Proof of purchase date will be required for warranty claims; so, please retain bills of sale. In the event warranty service is required, present this document to our AUTHORIZED SERVICE DEPOT.

Warranty Service
In-home

Danby Products Limited
PO Box 1778, Guelph, Ontario, Canada N1H 6Z9
Telephone: (519) 837-0920 FAX: (519) 837-0449

1-800-263-2629

Danby Products Inc.
PO Box 669, Findlay, Ohio, U.S.A. 45840
Telephone: (419) 425-8627 FAX: (419) 425-8629

BIENVENUE

Nous vous remercions d'avoir choisi un climatiseur de chambre Arcticaire pour refroidir votre logement. Ce manuel d'utilisation et d'entretien fournit les renseignements nécessaires pour prendre soin et entretenir votre nouveau climatiseur de chambre. S'il est adéquatement entretenu, votre climatiseur vous donnera de nombreuses années d'utilisation sans problème. Pour éviter toute difficulté d'installation, veuillez lire les présentes instructions, complètement, avant d'installer et de faire fonctionner votre appareil.

À titre de référence, vous pouvez agraffer à cette page une copie de votre fiche d'achat de l'appareil. Inscrivez les renseignements suivants fournis (sur la plaque signalétique du fabricant sur le côté de l'unité). Vous aurez besoin de ces renseignements si vous contactez un représentant du Service à la clientèle. Ces renseignements seront requis si le service est demandé et/ou si vous désirez obtenir des renseignements supplémentaires. Pour consulter un Représentant du service à la clientèle, composez le NUMÉRO D'APPEL SANS FRAIS suivant: **(1-800-263-2629)**

REMARQUE: CET APPAREIL N'A PAS ÉTÉ CONÇU POUR UNE INSTALLATION À TRAVERS UNE PAROI.

Numéro de modèle : _____
Numéro de série : _____
Date d'achat : _____

MISE EN GARDE:

Ne laissez pas un climatiseur de chambre sans surveillance dans un espace où se trouvent des gens ou des animaux qui ne peuvent pas réagir à un appareil défaillant. Un appareil défaillant peut causer une surchauffe extrême ou entraîner la mort dans un tel espace confiné et sans surveillance.



Consignes de sécurité important

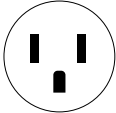
LISEZ TOUTE L'INFORMATION DE SÉCURITÉ AVANT UTILISATION

POUR VOTRE SÉCURITÉ: Lire attentivement ces instructions avant d'utiliser l'appareil.

SPECIFICATIONS ELECTRIQUE

- 1) Tous les câblages doivent être conformes aux codes électriques locaux et nationaux et doivent être installés par un électricien qualifié. Si vous avez la moindre question au sujet des instructions ci-dessous, contactez un électricien qualifié.
- 2) Vérifiez la fourniture d'alimentation électrique disponible et résolvez tout problème de câblage AVANT d'installer et de faire fonctionner cet appareil.
- 3) Ce climatiseur à 115V utilise 7 ampères ou moins de puissance nominale et peut être utilisé dans toute prise de courant domestique de but général adéquatement câblée. Voir le Tableau 1 pour les spécifications pour circuit de dérivation individuel.
- 4) Pour votre sécurité et votre protection, cet appareil est mis à la masse par la fiche du cordon d'alimentation lorsqu'elle est branchée dans une prise murale qui lui correspond. Si vous n'êtes pas certain que votre prise de courant murale est mise à la masse adéquatement, veuillez consulter un électricien qualifié.
- 5) La prise murale doit correspondre à la fiche à 3 broches sur le cordon de service fourni avec l'appareil. N'utilisez PAS de fiches d'adaptation. Voir Tableau 2 pour les renseignements sur les prises de courant et les fusibles. S'il est nécessaire d'utiliser une rallonge électrique pour brancher votre climatiseur, utilisez une rallonge électrique approuvée pour «climatiseur», exclusivement (disponible dans la plupart des magasins locaux de quincaillerie).
- 6) La plaque signalétique sur l'appareil contient des données électriques et techniques; elle se trouve sur le côté droit de l'appareil, au-dessus du cordon d'alimentation.

TABLEAU 1	
Circuit de distribution individuel suggéré	
Ampères de plaque d'identification 7	Calibre de fil AWG* 16
AWG – American Wire Gauge (Calibre de fil américain) *Basé sur le fil en cuivre à une température nominale de 60°C	

TABLEAU 2	
Types de fusibles et de réceptacles	
Tension nominale	125
Ampères	15
Prise de courant	
Intensité de fusible	15
Fusible temporisé (ou disjoncteur de circuit)	Type fiche



Consignes de sécurité important

LISEZ TOUTE L'INFORMATION DE SÉCURITÉ AVANT UTILISATION

POUR VOTRE SÉCURITÉ: Lire attentivement ces instructions avant d'utiliser l'appareil.

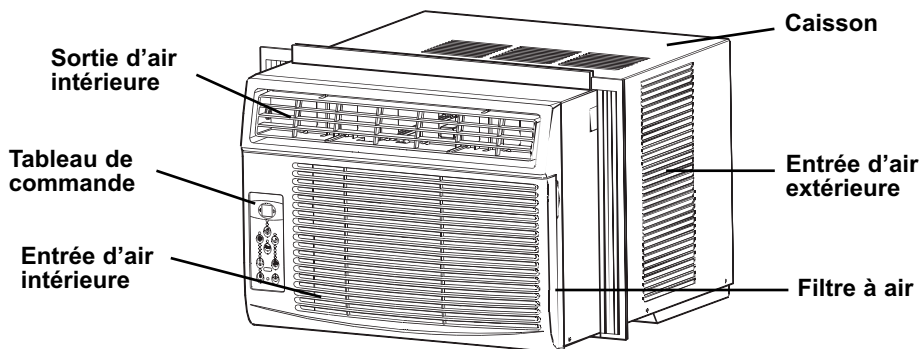
L'ÉCONOMIE DE L'ÉNERGIE

Votre appareil ménager Danby est conçu pour l'efficacité en économie de l'énergie. Pour le rendement maximal, observer les recommandations qui suivent.

- 1) Choisir un réglage du thermostat qui répond à vos besoins de confort et le laisser au réglage choisi.
- 2) Le filtre à air est très efficace pour éliminer les particules qui flottent dans l'air. Conserver le filtre à air propre en tout temps.
- 3) Utiliser des draperies, des rideaux ou des stores pour prévenir la pénétration et le réchauffement de la pièce par les rayons directs du soleil, mais ne pas permettre la restriction de la circulation d'air autour de l'unité par les draperies ou les rideaux.
- 4) Activer votre climatiseur avant que la température de l'air extérieur ne soit très chaude et inconfortable. Ceci préviendra une période initiale d'inconfort avant que l'unité ne puisse refroidir la pièce. L'usage de la caractéristique de **MINUTERIE** programmable d'arrêt et de mise en marche automatique représente un important avantage à cet effet si elle est utilisée à pleine capacité.
- 5) Quand les températures externes sont suffisamment froides, placer le climatiseur hors de service et utiliser le **MODE DE VENTILATEUR** à la position **HAUTE, MOYENNE ou BAS**. Ceci fait circuler l'air à l'intérieur de la pièce pour fournir un certain confort de climatisation en utilisant moins d'électricité.



Caractéristiques



Installation



RISQUE DE CHOC ÉLECTRIQUE

Pour éviter la possibilité de blessures corporelles, débrancher l'alimentation de courant à l'unité avant d'entreprendre l'installation ou le service.

REMARQUE: Votre climatiseur de chambre a été conçu pour une installation facile dans une fenêtre à châssis à guillotine simple ou double. Cet appareil n'a pas été conçu pour des fenêtres verticales (de type coulissant) ou pour être installé à travers une paroi.

OUTILS NÉCESSAIRES POUR INSTALLATION

- Tournevis à tête Phillips et plate
- Perceuse électrique Mèche de 1/8 po de diam.
- Crayon
- Ruban à mesure
- Ciseaux
- Clé réglable

REMARQUE: Conservez le carton d'expédition et le matériel d'emballage pour futur entreposage ou transport de l'appareil. Ôtez l'appareil du carton, le sac en plastique qui contient la trousse de quincaillerie nécessaire pour l'installation de votre climatiseur. Veuillez vérifier le contenu de la trousse de quincaillerie d'installation en le comparant à la liste de vérification du modèle correspondant, et ce, avant l'installation de l'appareil. Voir **Fig. 1**.



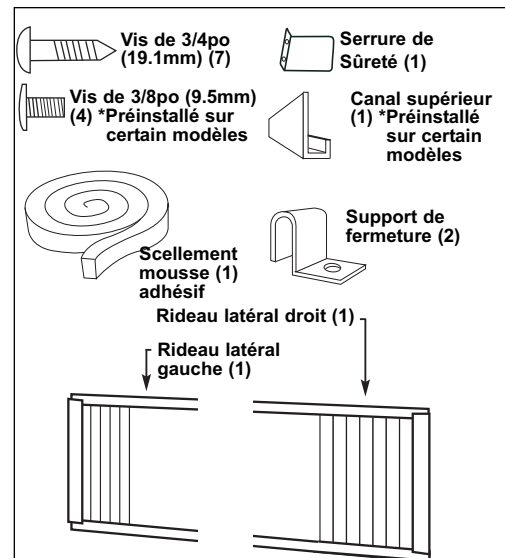
Installation

OUTILS NÉCESSAIRES POUR INSTALLATION

MISE EN GARDE

Comme compresseur se trouve du côté des commandes de l'unité (côté droit), ce côté est plus lourd et plus difficile à manipuler. Un soutien inapproprié du côté des commandes de l'appareil peut causer des blessures et endommager l'appareil et d'autres biens mobiliers. C'est pourquoi il est recommandé que quelqu'un vous aide au cours de l'installation de cet appareil.

Fig. 1

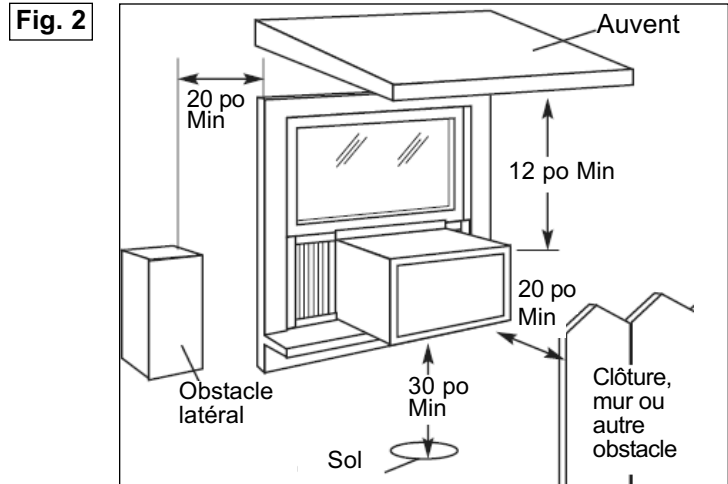


ENDROIT

- A) Ce climatiseur pour chambre a été conçu pour être installé facilement dans une fenêtre à châssis à guillotine simple ou double. Cependant, comme le design de la fenêtre peut varier, il peut être nécessaire d'y faire quelques modifications pour une installation sécuritaire et appropriée.
- B) Assurez-vous que la fenêtre et son châssis sont structurellement solides et exempts de bois sec et pourri.
- C) Pour un maximum d'efficacité, installez le climatiseur sur le côté de la maison ou de l'immeuble qui se trouve plus souvent à l'ombre qu'au soleil. Si l'appareil est directement sous les rayons du soleil, installer un auvent pour protéger l'unité.
- D) Laissez suffisamment d'espace libre autour du caisson pour permettre une ample circulation d'air à travers l'appareil. Voir **Fig. 2**. L'arrière de l'appareil doit donner sur l'extérieur de la maison et non pas dans un garage ou à l'intérieur d'un immeuble. Tenez l'appareil aussi loin que possible de tout obstacle ou obstruction et à au moins 30 po au-dessus du plancher ou du sol. Il ne faut pas que les rideaux ou d'autres objets à l'intérieur de la pièce puissent bloquer le flux d'air.
- E) Assurez-vous que la prise électrique appropriée se trouve à la portée de l'installation. N'utilisez qu'un circuit à prise unique calculé à 15 ampères. Tout le câblage doit être conforme aux codes électriques locaux et nationaux.
- F) N'installez PAS l'appareil à un endroit où on soupçonne une fuite de gaz combustibles. Votre climatiseur peut tomber en panne dans une atmosphère qui contient des huiles (y compris des huiles pour machines), des gaz sulfurés, ou s'il est près de sources d'eau chaude, etc.

ENDROIT

Votre appareil a été conçu pour que la condensation s'évapore dans des conditions normales. Cependant, en présence d'une humidité extrême, un surplus de condensation peut provoquer un débordement de la cuvette de base vers l'extérieur. L'appareil doit être installé de telle sorte que l'écoulement de la condensation ne se déverse pas sur des passants ou sur des propriétés avoisinantes.



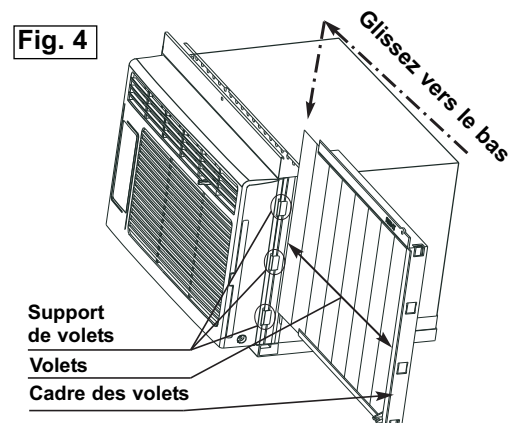
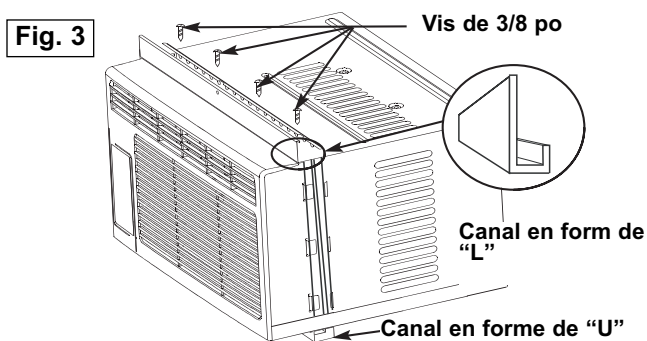
INSTRUCTIONS D'INSTALLATION

1) Montage de canaux supérieur sur le caisson. (Préinstallé sur certain modèles)

- Canal supérieur en forme de "L": Installez le canal en forme de "L" au-dessus du caisson tel que montré à la **Fig. 3**, un utilisant quatre (4) vis de 3/8 po.

2) Montage des rideaux latéraux au caisson.

- Étendez les volets et glissez-les dans les support de volets sur le canal latéral du climatiseur comme montré dans **Fig. 4**.
- Faites glisser les cadre des volets dans les canaux supérieur (en forme de "L") et inférieur (en forme de "U") Ces volets sont identifiés (sur le cadre) en tant que volets gauches et droits.

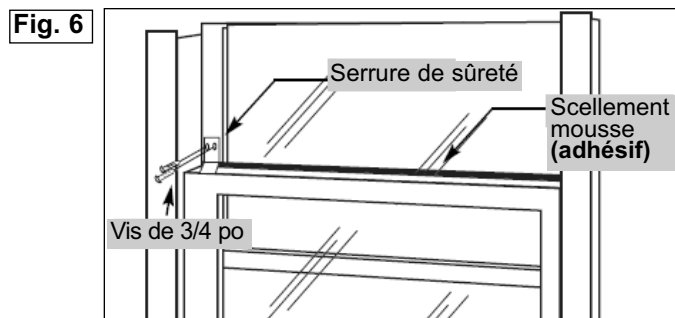
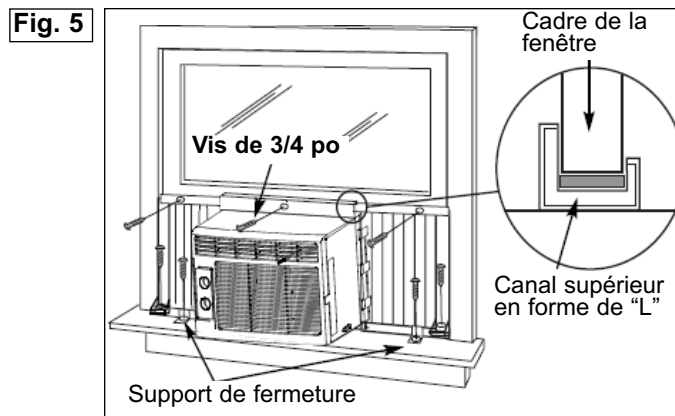


INSTRUCTIONS D'INSTALLATION

3) Pour compléter l'installation

- Coupez la lisière à calfeutrer en mousse (non adhésif) pour qu'elle se fixe adéquatement au dessous du bas du cadre de la fenêtre.
- Placez le climatiseur dans la fenêtre avec le canal de montage en forme de "L" (en haut) positionné à l'avant du cadre supérieur de la fenêtre. Le bas du caisson doit être positionné dans le bas du cadre de la fenêtre. Tirez la fenêtre vers le bas jusqu'à ce qu'elle repose juste derrière le rebord frontal du canal de montage en forme de "L" (supérieur). Voir **Fig. 5**.
- Étendez les cadres des volets (complètement) de chaque côté, et fixez le haut des structures au cadre de la fenêtre en utilisant une vis de 3/4 po et une rondelle de sécurité sur chaque côté. **Fig. 5**
- Coupez la bande mousse **adhésif** afin qu'elle s'ajuste adéquatement à l'ouverture entre le haut de l'intérieur de sûreté sure le cadre du fenêtre extérieur en utilisant une vis de 3/4 po. Voir **Fig. 6**.

REMARQUE SPÉCIALE: Les applications à une fenêtre présentent toute une variété de styles différents. C'est pourquoi il peut être nécessaire de modifier ou d'improviser votre installation particulière.





Consignes d'utilisation

FUNCTIONNEMENT

AFFICHAGE DEL: Affiche l'information suivante en dépendamment; Réglage de la température, température ambiante et le programme de minuterie.



Commutateur de courant: En Marche/Arrêt.



MODE: Vous permet de choisir le mode d'opération désiré; Frais, Sec, Ventilateur Seulement et Auto. Le mode choisi sera dénoté par l'afficheur au-dessus du bouton. *'Auto' est un programme pré-réglé qui choisit automatiquement le mode (Frais ou Sec) et la vitesse de ventilateur fondé sur la réglage de la température.



Ventilateur: Choisissez quatre réglage de ventilateur différentes; Bas, Moyenne, Haut et Auto, pendant les mode 'Frais' et 'Ventilateur'.

Note: Pendant le mode 'sec' il y a seulement une vitesse de ventilateur utilisée.



Économiseur d'Énergie: Ajuste le ventilateur automatiquement (en marche et en arrêt) quand le compresseur n'est pas en service.



Réglage du Température et Minuterie: Utilisée pour augmenter ou réduire la température par incréments de 10 et le minuterie en incréments de 0.5hr jusqu'à 10 heures et incréments de 1 hr jusqu'à 24 heures.

REMARQUE: Cet appareil ménager offre une caractéristique qui vous permettra l'option de régler les températures soit en degrés Celsius, soit Fahrenheit. Pour changer l'affichage de la température sur l'unité principale, appuyer sur les deux touches (Réglage de température / de minuterie) simultanément pour alterner entre l'échelle C et F.



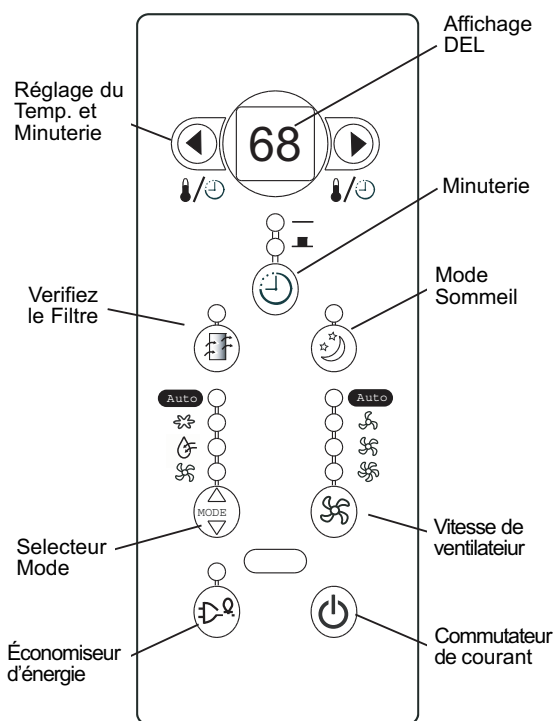
Vérifiez le Filtre: L'afficheur au-dessus du bouton s'allume pour indiquer le filtre à air doit être nettoyé (voir la page 20). Une fois que le filtre a été nettoyé et remplacé, enfoncez le bouton. Vérifiez le Filtre pour continuer l'opération normale.



Sommeil: Le mode de sommeil augmentera votre température de climatisation pré-réglée graduellement pendant une période de un (1) heures la nouvelle température est maintenue pendant sept (7) heures. Une fois que le programme est complet, le climatiseur reprendra la température de climatisation (votre pré-réglage avant que le mode de sommeil a été activé). Employé pendant les heures de nuit pour empêcher la salle de refroidir trop (quand vous dormez) ceci résulte en une réduction du temps de fonctionnement du compresseur et en une économie de consommation de l'énergie. Le mode de sommeil peut être annulé quand vous appuyez sur le bouton de sommeil durant la programme.



Minuterie: Utilisée pour activer le programme En March Auto et/ou Arrêt Auto.



Quand le Climatiseur est hors de service (En March Auto):

- 1) Appuyer sur la touche Minuterie une fois et l'afficheur du En March Auto s'allumera.
- 2) Appuyer sur les touches ou pour choisir l'heure de mise en service entre 0.5h et 24h
- 3) Choisir le MODE approprié de fonctionnement désiré de l'unité (Auto- Frais-Sec-Ventilateur).
- 4) Choisir le réglage de la Vitesse du ventilateur.
- 5) L'heure réglée apparaîtra sur l'affichage.

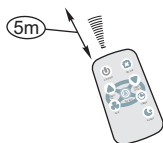
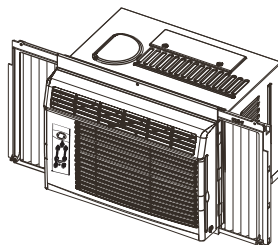
Quand le Climatiseur est en service (Arrêt Auto):

- 1) Appuyer sur la touche Minuterie deux fois et l'afficheur du Arrêt Auto s'allumera.
- 2) Appuyer sur les touches ou pour choisir l'heure de mise hors de service entre 0.5 h et 24 h.
- 3) L'heure réglée apparaîtra sur l'affichage y EN MARCHE AUTO et ARRÊT AUTO peut fonctionner durant le même programme par choisissez les paramètres ARRÊT AUTO juste après les paramètres EN MARCHE. Pour annuler le programme EN MARCHE AUTO ou ARRÊT AUTO appuyer sur la Commutateur de courant.



Consignes d'utilisation

UTILISATION DE LA TÉLÉCOMMANDE



Emplacement de la télécommande.

- Utilisez la télécommande à une distance maximale de 5 mètres de l'appareil, en l'orientant dans la direction du récepteur. La réception est confirmée par un bip sonore.

MISE EN GARDE

- Le climatiseur ne fonctionne pas si le signal envoyé par la télécommande à l'unité intérieure est bloqué par des rideaux, des portes ou d'autres matériaux.
- Ne laissez pas de liquides tomber sur la télécommande. N'exposez pas la télécommande à la chaleur ou à la lumière directe du soleil.
- Si le récepteur du signal infrarouge qui se trouve sur l'unité intérieure est exposé à la lumière directe du soleil, il est possible que le climatiseur ne fonctionne pas correctement. Tirez les rideaux pour empêcher que la lumière ne tombe sur le récepteur.
- Si d'autres appareils électriques réagissent à la télécommande, déplacez-les ou communiquez avec l'atelier de réparation.

CARACTÉRISTIQUES DE LA TÉLÉCOMMANDE

Modèle	R15A, R15B, R15C
Tension nominale	3 V (pile bouton : CR2025)
Tension la moins élevée du CPU émetteur de signal	2 V
Portée de réception du signal	5 m
Environnement	De -5 °C à 60 °C



Consignes d'utilisation

TÉLÉCOMMANDE DE LA TÉLÉCOMMANDE

REMARQUE : Le modèle R15B n'est pas doté de la fonction AIR PROPRE.

Bouton ON/OFF (MARCHE/ARRÊT)

Le climatiseur se met en marche lorsque l'utilisateur appuie sur ce bouton et s'arrête lorsque l'utilisateur appuie dessus à nouveau.

Bouton TEMP UP (AUGMENTER LA TEMPÉRATURE)

Appuyez sur ce bouton pour augmenter le réglage de la température par intervalles de 1° C jusqu'à 30 °C.

Bouton FAN (VENTILATEUR)

Utilisé pour sélectionner la vitesse du ventilateur en trois étapes :



Bouton CLEAN AIR (AIR PROPRE) (sur certains modèles)

Lorsque l'utilisateur appuie sur ce bouton, le générateur d'ions se met en marche et contribue à l'élimination du pollen et des impuretés contenus dans l'air.

Bouton ENERGY SAVER (ÉCONOMISEUR D'ÉNERGIE)

Appuyez sur ce bouton pour activer le mode économie d'énergie. Appuyez dessus à nouveau pour désactiver la fonction.

Bouton MODE

Chaque fois que vous appuyez sur ce bouton, un mode est sélectionné dans la séquence Automatique, Chauffage (modèles qui refroidissent et qui réchauffent seulement), Refroidissement, Déshumidification et Ventilateur, pour ensuite revenir à AUTO.

Bouton TEMP DOWN (BAISSER LA TEMPÉRATURE)

Appuyez sur ce bouton pour baisser la température intérieure par intervalles de 1 °C, jusqu'à 17 °C.

Bouton TIMER (MINUTEUR)

Appuyez sur ce bouton pour activer les programmes « mise en marche automatique » ou « arrêt automatique » dans 0 à 12 heures (intervalles d'une heure)

Bouton SLEEP (SOMMEIL)

Appuyez sur ce bouton pour activer le mode Sommeil. Cette fonction est disponible en mode Refroidissement, Chauffage ou Auto seulement et maintient la température la plus agréable pour vous.

Modèle:
R15A
R15B

Bouton ON/OFF (MARCHE/ARRÊT)

Le climatiseur se met en marche lorsque l'utilisateur appuie sur ce bouton et s'arrête lorsque l'utilisateur appuie dessus à nouveau.

Bouton TEMP UP (AUGMENTER LA TEMPÉRATURE)

Appuyez sur ce bouton pour augmenter le réglage de la température par intervalles de 1° C jusqu'à 30 °C.

Bouton FAN (VENTILATEUR)

Utilisé pour sélectionner la vitesse du ventilateur en trois étapes :



Bouton SWING (ROTATION)

Lorsque l'utilisateur appuie sur ce bouton, les louveres verticales pivotent automatiquement d'un côté à l'autre. Appuyez dessus à nouveau pour désactiver la fonction ROTATION.

Bouton MODE

Chaque fois que vous appuyez sur ce bouton, un mode est sélectionné dans la séquence Automatique, Chauffage (modèles qui refroidissent et qui réchauffent seulement), Refroidissement, Déshumidification et Ventilateur, pour ensuite revenir à AUTO.

Bouton TEMP DOWN (BAISSER LA TEMPÉRATURE)

Appuyez sur ce bouton pour baisser la température intérieure par intervalles de 1 °C, jusqu'à 17 °C.

Bouton TIMER (MINUTEUR)

Appuyez sur ce bouton pour activer les programmes « mise en marche automatique » ou « arrêt automatique » dans 0 à 12 heures (intervalles d'une heure)

Bouton SLEEP (SOMMEIL)

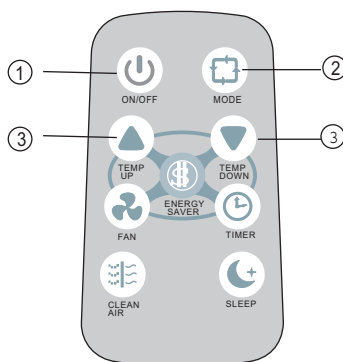
Appuyez sur ce bouton pour activer le mode Sommeil. Appuyez dessus à nouveau pour désactiver la fonction. Cette fonction est disponible en mode Refroidissement, Chauffage ou Auto seulement et permet de maintenir la température la plus agréable pour vous.

Modèle:
R15C



Consignes d'utilisation

UTILISATION DES BOUTONS DE LA TÉLÉCOMMANDE



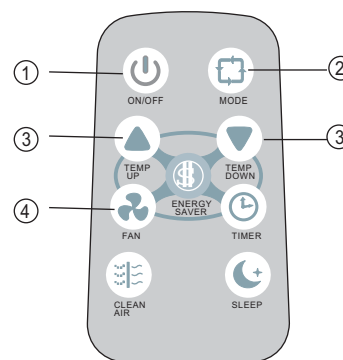
FONCTIONNEMENT AUTOMATIQUE

Assurez-vous que l'appareil est branché et sous tension.

- 1) Appuyez sur le bouton ON/OFF pour mettre le climatiseur en marche.
- 2) Appuyez sur le bouton Mode et sélectionnez AUTO.
- 3) Appuyez sur les boutons TEMP UP / DOWN pour régler la température au niveau souhaité. La température peut être réglée entre 17 °C et 30 °C, par intervalles de 1 °C.

REMARQUE

1. En mode Auto, le climatiseur peut choisir de façon logique le mode Refroidissement, Ventilateur, Chauffage et Déshumidification en détectant la différence entre la température réelle de la pièce et la température réglée au moyen de la télécommande.
2. En mode Auto, vous ne pouvez pas changer la vitesse du ventilateur. Elle est déjà contrôlée automatiquement.
3. Si le mode Auto ne vous convient pas, vous pouvez choisir manuellement le mode souhaité.



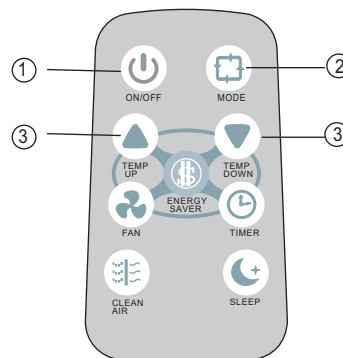
FONCTIONNEMENT DU REFROIDISSEMENT/CHAUFFAGE/VENTILATEUR

Assurez-vous que l'appareil est branché et sous tension.

- 1) Appuyez sur le bouton ON/OFF pour mettre le climatiseur en marche.
- 2) Appuyez sur le bouton MODE pour choisir le mode Refroidissement, Chauffage (modèles qui refroidissent et réchauffent seulement) ou Ventilation,
- 3) Appuyez sur les boutons TEMP UP / DOWN pour régler la température au niveau souhaité. La température peut être réglée entre 17 °C et 30 °C, par intervalles de 1 °C.
- 4) Appuyez sur le bouton FAN pour choisir la vitesse du ventilateur en trois étapes : basse, moyenne et élevée.

REMARQUE :

En mode Ventilateur, la température réglée ne s'affiche pas sur la télécommande et il n'est pas non plus possible de contrôler la température de la pièce. Dans ce cas, seules les étapes 1, 3 et 4 peuvent être effectuées.



DÉSHUMIDIFICATION

Assurez-vous que l'appareil est branché et sous tension.

- 1) Appuyez sur le bouton ON/OFF pour mettre le climatiseur en marche.
- 2) Appuyez sur le bouton Mode et sélectionnez AUTO.
- 3) Appuyez sur les boutons TEMP UP / DOWN pour régler la température au niveau souhaité. La température peut être réglée entre 17 °C et 30 °C, par intervalles de 1 °C.

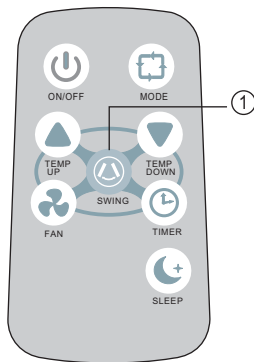
REMARQUE :

En mode Déshumidification, vous ne pouvez pas changer la vitesse du ventilateur. Elle est déjà contrôlée automatiquement.



Consignes d'utilisation

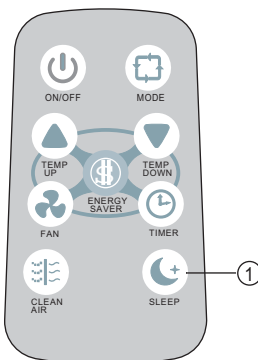
UTILISATION DES BOUTONS DE LA TÉLÉCOMMANDE



ROTATION

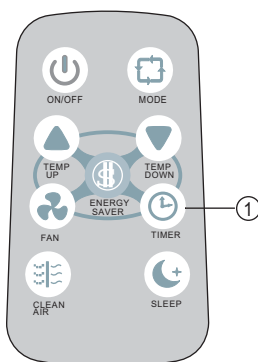
Utilisez le bouton SWING pour ajuster la direction du courant d'air (vers la droite ou vers la gauche).

- 1) Appuyez sur ce bouton pendant que l'appareil fonctionne; les louveres verticales pivotent automatiquement de gauche à droite et vice-versa, envoyant de l'air froid/chaud en alternance pour obtenir un refroidissement ou un chauffage confortable.
- 2) Appuyez à nouveau sur le bouton SWING pour désactiver cette fonction.



Mode Sommeil

- Dans ce mode, la température sélectionnée augmente (en mode refroidissement) ou diminue (en mode chauffage) de 2 °F 30 minutes après la sélection du mode.
- La température augmentera ensuite de 2 °F supplémentaires au bout de 30 autres minutes.
- Cette nouvelle température sera maintenue pendant 7 heures avant le retour à la température initialement sélectionnée. Cela met fin au mode Sommeil et l'appareil continuera de fonctionner conformément à sa programmation initiale.
- Le programme du mode Sommeil peut être annulé à tout moment pendant son fonctionnement en appuyant à nouveau sur le bouton Sommeil.



MINUTEUR

Appuyez sur le bouton TIMER pour régler l'heure de mise en marche automatique et d'arrêt automatique de l'appareil.

REMARQUE :

- Pour régler l'heure de mise en marche automatique, l'appareil doit être sur la position OFF (ARRÊT).
- Pour régler l'heure d'arrêt automatique, l'appareil doit être sur la position ON (MISE EN MARCHÉ).

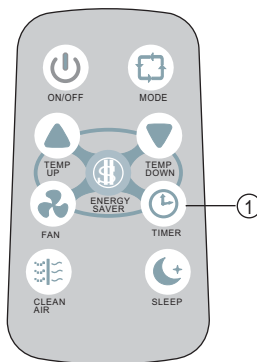
Pour régler l'heure de mise en marche automatique.

1. Appuyez sur le bouton TIMER lorsque l'appareil est éteint; seule la fonction de mise en marche automatique peut être réglée.
2. Continuez à appuyer sur le bouton TIMER; chaque pression fait augmenter l'heure sélectionnée d'une heure à la fois, jusqu'à un maximum de 12 heures.
3. L'heure sélectionnée peut aller de 0 à 12.
4. Après la sélection de l'heure souhaitée, attendez environ 10 secondes, jusqu'à ce que la température réglée réapparaisse sur l'afficheur du climatiseur. Cela indique que le programme est réglé.



Consignes d'utilisation

UTILISATION DES BOUTONS DE LA TÉLÉCOMMANDE



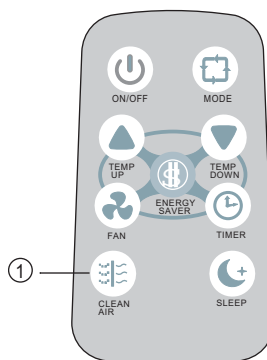
MINUTEUR

Pour régler l'heure de mise en marche automatique.

- 1) Appuyez sur le bouton TIMER lorsque l'appareil est en marche; seule la fonction d'arrêt automatique peut être réglée.
- 2) Continuez à appuyer sur le bouton TIMER; chaque pression fait augmenter l'heure sélectionnée d'une heure à la fois, jusqu'à un maximum de 12 heures.
- 3) L'heure sélectionnée peut aller de 0 à 12.
- 4) Après la sélection de l'heure souhaitée, attendez environ 10 secondes, jusqu'à ce que la température réglée réapparaisse sur l'afficheur du climatiseur. Cela indique que le programme est réglé.

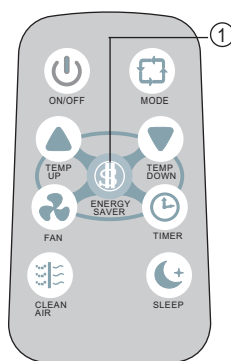
REMARQUE :

Pour annuler le réglage du minuteur, appuyez sur le bouton TIMER jusqu'à ce que 0 apparaisse sur l'afficheur ACL du climatiseur.



AIR PROPRE

Lorsque l'utilisateur appuie sur ce bouton, le générateur d'ions se met en marche et contribue à l'élimination du pollen et des impuretés contenus dans l'air. Appuyez dessus à nouveau pour désactiver la fonction.



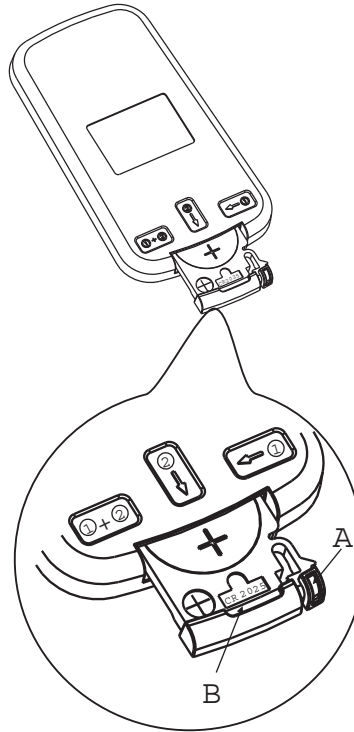
ÉCONOMISEUR D'ÉNERGIE

Dans ce mode, le ventilateur continue à fonctionner pendant 3 minutes après l'arrêt du compresseur. Ensuite, le ventilateur se remet en marche pendant 2 minutes toutes les 10 minutes, jusqu'à ce que la température de la pièce soit supérieure à la température réglée, après quoi le compresseur se remet en marche et le refroidissement commence.



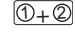


Consignes d'utilisation

CHANGEMENT DES PILES DE LA TÉLÉCOMMANDE



La télécommande est alimentée par une pile bouton installée dans la partie arrière et protégée par un couvercle. Enlevez la pile bouton dans la direction indiquée par les flèches sur l'arrière de la télécommande.

-  1. Appuyez légèrement sur la position « A » avec l'index, dans la direction indiquée par la flèche 1.
-  2. Appuyez sur la position « B » avec le pouce et tirez dessus dans la direction indiquée par la flèche 2.
-  3. Les étapes 1 et 2 doivent être effectuées simultanément afin de pouvoir glisser la pile bouton hors du compartiment.



Soins et entretien

NETTOYAGE

Avant de procéder à l'entretien du climatiseur, assurez-vous de tourner le bouton de **SÉLECTION** en position "**ARRÊT**" et débranchez le cordon d'alimentation de la prise électrique.

- 1) N'utilisez PAS de l'essence, un produit chimique, diluant ou autre sur un climatiseur, car ces substances peuvent endommager la finition de la peinture et déformer des pièces en plastique.
- 2) N'essayez jamais de verser de l'eau directement sur le climatiseur, car cela provoque une détérioration de l'isolation électrique.

FILTRE À AIR

Si le filtre à air est bouché par de la poussière, la circulation d'air est obstruée et perd de son efficacité. Le filtre à air doit être nettoyé toutes les 2 semaines.

Le filtre à air du modèle ci-dessus se trouve derrière la grille frontale de la prise d'air. Pour enlever le filtre à air, saisissez la poignée du filtre sur l'avant de la grille et glissez-le (vers l'extérieur) à droite.

Pour réinstaller le filtre à air, faites l'inverse des procédures ci-dessus. Le filtre à air peut être passé à l'aspirateur ou lavé à la main dans de l'eau chaude. Séchez-le bien avant de l'installer.

NETTOYAGE DU FILTRE À AIR:

- 1) Utilisez un aspirateur de poussière muni d'une brosse douce.
- 2) Lavez le filtre dans de l'eau tiède de moins de 40°C (104°F). Pour obtenir de meilleurs résultats, lavez avec une eau savonneuse ou un agent neutre de nettoyage.
- 3) Rincez le filtre avec de l'eau propre et séchez-le à fond avant de le réinstaller.

MISE EN GARDE

N'oubliez PAS d'installer le filtre à air. Si on fait fonctionner le climatiseur sans filtre à air, la poussière n'est pas éliminée de l'atmosphère de la pièce et peut entraîner une défaillance de la machine. Quand la grille de l'entrée d'air et le caisson sont sales, essuyez-les avec de l'eau tiède (au-dessous de 40°C). On recommande l'utilisation d'un détersif doux.

ENTRETIEN HORS SAISON

- 1) Faites fonctionner uniquement le ventilateur pendant une demi-journée pour sécher l'intérieur du climatiseur.
- 2) Coupez le courant et enlevez la fiche de la prise murale.
- 3) Nettoyez le filtre.
- 4) Rangez le climatiseur (couvert) dans un endroit sec.

ATTENTION

Durant installation et/ou en enlevant le climatiseur de la fenêtre, assurez-vous que l'attention est prise pour empêcher de tomber hors de la fenêtre. On recommande que l'installation ou le déplacement du climatiseur soit fait avec l'assistance pour empêcher des dommages aux personnes ou des dommages à l'appareil ou à la propriété.

Dépannage

De temps en temps, un problème peut se poser qui est mineur, et une intervention peut ne pas être nécessaire. Employez ce guide de dépannage pour une solution possible. Si l'unité continue à fonctionner incorrectement, demandez un dépôt autorisé de service ou le numéro de appel sans frais pour l'aide à: **(1-800-263-2629)**

PROBLEME	CAUSE PROBABLE	SOLUTION
1) Climatiseur ne veut pas fonctionner.	<ul style="list-style-type: none"> Aucun courant branché à l'appareil. 	<ul style="list-style-type: none"> Vérifiez le branchement du cordon d'alimentation à la source de courant Vérifiez le fusible ou le disjoncteur Placer le commutateur de sélection à une position autre que ARRÊT. Le bouton RESET (du cordon d'alimentation) doit toujours être enfoncé pour un bon fonctionnement.
2) Inefficace ou aucun refroidissement.	<ul style="list-style-type: none"> Filtre à air sale Les dimensions de l'appareil ne conviennent pas à son application Circulation d'air bloquée Interruption du courant, réglages changés trop rapidement, ou compresseur déclenché par surcharge. 	<ul style="list-style-type: none"> Nettoyez ou remplacez le filtre à air. Vérifiez avec le concessionnaire si la capacité de l'appareil est appropriée à son application Enlevez l'objet qui obstrue la grille ou les volets extérieurs. Arrêtez le climatiseur et attendez 5 minutes avant de le remettre en marche.
3) Appareil bruyant.	<ul style="list-style-type: none"> Pièces desserrées. Support inadéquat. 	<ul style="list-style-type: none"> Serrez les pièces qui sont desserrées ou ont de jeu. Fournissez un support supplémentaire à l'appareil
4) Odors.	<ul style="list-style-type: none"> Formation de moisissure ou d'algues sur les surfaces mouillées. 	<ul style="list-style-type: none"> Nettoyez à fond l'appareil. Mettez une tablette anti-algues dans la cuvette de base.
5) De l'eau s'égoutte à l'extérieur.	<ul style="list-style-type: none"> L'écoulement de la condensation est normal, quand le temps est chaud et humide. 	<ul style="list-style-type: none"> Ajoutez un tube flexible pour réacheminer l'écoulement de l'eau.
6) De l'eau s'égoutte à l'intérieur.	<ul style="list-style-type: none"> L'appareil n'est pas incliné adéquatement pour permettre à l'eau de s'écouler à l'extérieur. 	<ul style="list-style-type: none"> L'appareil doit être installé à un certain angle pour permettre un écoulement adéquat de la condensation. Vérifiez l'appareil et exécutez tout ajustement.
7) Formation de glace ou de givre.	<ul style="list-style-type: none"> Température très froide à l'extérieur. Le filtre à air de l'appareil est sale. 	<ul style="list-style-type: none"> Lorsque la température extérieur est d'environ 18.3°C (65°F) ou moins, du givre peut se former quand l'appareil est en mode refroidissement. Réglez l'appareil en mode VENTILATEUR (seulement) jusqu'à ce que le givre fonde. Enlevez et nettoyez le filtre à air.

REMARQUES:

- 1) Si le disjoncteur se déclenche à maintes reprises, ou si le fusible a grillé plus d'une fois, contactez un technicien qualifié.
- 2) Quand l'appareil est installé en suivant les étapes d'installation adéquates, l'appareil est incliné de façon appropriée vers l'extérieur pour permettre l'écoulement de la condensate.



GARANTIE LIMITÉE SUR APPAREIL ÉLECTROMÉNAGER À DOMICILE

Cet appareil de qualité est garanti exempt de tout vice de matière première et de fabrication, s'il est utilisé dans les conditions normales recommandées par le fabricant.

Cette garantie n'est offerte qu'à l'acheteur initial de l'appareil vendu par Danby Products Limited (Canada) ou Danby Products Inc. (E.- U. d'A) (ci-après "Danby") ou par l'un des ses distributeurs agréés et elle ne peut être transférée.

CONDITIONS

Les pièces en plastique sont garanties pour trente (30) jours seulement à partir de la date de l'achat, sans aucune prolongation prévue.

Première 24 mois Pendant les 24 mois, toutes pièces fonctionnelles de ce produit s'avèrent défectueuses, seront réparées ou remplacées, selon le choix du garant, sans frais à l'acheteur INITIAL.

Pour bénéficier du Service Le client sera responsable pour le transport et tous les frais d'expédition de tout appareil exigeant le service au dépôt de service autorisé le plus proche. S'adresser au détaillant qui a vendu l'appareil, ou à la station technique agréée de service la plus proche, où les réparations doivent être effectuées par un technicien qualifié. Si les réparations sont effectuées par quiconque autre que la station de service agréée ou à des fins commerciales, toutes les obligations de Danby en vertu de cette garantie seront annulées.

Limites de l'entretien à domicile Si l'appareil est installé à plus de 100 kilomètres (62 milles) du centre de service le plus proche, il doit être livré à l'atelier de réparation autorisé par Danby le plus proche, car l'entretien doit uniquement être réalisé par un technicien qualifié et certifié pour effectuer un entretien couvert par la garantie de Danby. Les frais de transport entre votre domicile et le lieu de l'entretien ne sont pas couverts par la présente garantie et doivent être acquittés par l'acheteur.

Cette garantie indique en aucun temps la responsabilité de Danby de l'avarie ou dommage de la vin ou autre contenu, soit par les vices de l'appareil, ou soit par l'utilisation convenable ou inexacte.

EXCLUSIONS

En vertu de la présente, il n'existe aucune autre garantie, condition ou représentation, qu'elle soit exprimée ou tacite, de façon manifeste ou intentionnelle, par Danby ou ses distributeurs agréés. De même, sont exclues toutes les autres garanties, conditions ou représentations, y compris les garanties, conditions ou représentations en vertu de toute loi régissant la vente de produits ou de toute autre législation ou règlement semblables.

En vertu de la présente, Danby ne peut être tenue responsable en cas de blessures corporelles ou des dégâts matériels, y compris à l'appareil, quelle qu'en soit les causes. Danby ne peut pas être tenue responsable des dommages indirects dus au fonctionnement défectueux de l'appareil. En achetant l'appareil, l'acheteur accepte de mettre à couvert et de dégager Danby de toute responsabilité en cas de réclamation pour toute blessure corporelle ou tout dégât matériel causé par cet appareil.

CONDITIONS GÉNÉRALES

La garantie ou assurance ci-dessus ne s'applique pas si les dégâts ou réparations sont dus aux cas suivants:

- 1) Panne de courant.
- 2) Dommages subis pendant le transport ou le déplacement de l'appareil.
- 3) Alimentation électrique incorrecte (tension faible, câblage défectueux, fusibles incorrects).
- 4) Accident, modification, emploi abusif ou incorrect de l'appareil tel qu'une circulation d'air inadéquate dans la pièce ou des conditions de fonctionnement anormales (température extrêmement élevée ou basse).
- 5) Utilisation dans un but commercial ou industriel (à savoir, si l'appareil n'est pas installé dans un domicile résidentiel).
- 6) Incendie, dommages causés par l'eau, vol, guerre, émeute, hostilités, cas de force majeure (ouragan, inondation, etc.).
- 7) Visites d'un technicien pour expliquer le fonctionnement de l'appareil au propriétaire.
- 8) Installation inappropriée (par exemple, encastrement d'un appareil autoportant, ou utilisation extérieure d'un appareil non conçu à cet effet).

Une preuve d'achat doit être présentée pour toute demande de réparation sous garantie. Prière de garder le reçu. Pour faire honorer la garantie, présenter ce document à la station technique agréée ou s'adresser à:

Service sous-garantie
Service au domicile

Danby Products Limited
PO Box 1778, Guelph, Ontario, Canada N1H 6Z9
Telephone: (519) 837-0920 FAX: (519) 837-0449

1-800-263-2629

Danby Products Inc.
PO Box 669, Findlay, Ohio, U.S.A. 45840
Telephone: (419) 425-8627 FAX: (419) 425-8629



**Model • Modèle
AAC080EB1G**

For service, contact your
nearest service depot or call:
(1-800-263-2629)
to recommend a depot in your
area.

Pour obtenir le service,
consultez votre centre de
service le plus rapproché ou
composez le:
(1-800-263-2629)
vous recommandera un
centre régional.

Air Conditioner

The model number can be found on the serial plate located on the back panel of the unit.

All repair parts available for purchase or special order when you visit your nearest service depot. To request service and/or the location of the service depot nearest you, call the TOLL FREE NUMBER.

When requesting service or ordering parts, always provide the following information:

- Product Type
- Model Number
- Part Number
- Part Description

Climatiseur

Le numéro de modèle se trouve sur la plaque d'information sur le panneau arrière de l'appareil.

Toutes les pièces de rechange ou commandes spéciales sont disponibles à votre centre de service régional autorisé. Pour obtenir le service et/ou la localité de votre centre de service régional, signalez le NUMÉRO D'APPEL SANS FRAIS. Ayez les renseignements suivants à la portée de la main lors de la commande de pièce ou service :

- Type de produit
- Numéro de modèle
- Numéro de pièce
- Description de la pièce